



BATTERYSTAR™

BATTERY POWERED CHAIN HOIST



en-us	INSTALLATION, OPERATING, & MAINTENANCE MANUAL..... 2
fr-ca	MANUEL D'INSTALLATION, D'UTILISATION ET D'ENTRETIEN..... 24
es-la	MANUAL DE INSTALACIÓN, OPERACIÓN Y MANTENIMIENTO..... 47
pt-br	MANUAL DE INSTALAÇÃO, OPERAÇÃO, E MANUTENÇÃO..... 70

INSTALLATION, OPERATING, & MAINTENANCE MANUAL

BATTERY POWERED, VARIABLE SPEED ELECTRIC CHAIN HOIST



BATTERYSTAR™

BATTERY POWERED CHAIN HOIST

Before installing hoist, fill in the information below

Model Number _____
Serial No. _____
Purchase Date _____
Voltage _____ 18 VDC _____
Rated Load _____ 1 Tonne (2204 lbs) (1000 kg) _____



WARNING

Follow all instructions and warning for inspecting, maintaining, and operating this hoist.

The use of any hoist presents some risk of personal injury or property damage. That risk is greatly increased if proper instructions and warnings are not followed. Before using this hoist, each operator should become thoroughly familiar with all warnings, instructions, and recommendations in this manual. **Retain this manual for future reference and use.**

Forward this manual to operator. Failure to operate equipment as directed in manual may cause injury.



WARNING

Improper operation of a hoist can create a potentially hazardous situation which, if **NOT** avoided, could result in death, or serious injury. To avoid such a potentially hazardous situation, the operator shall:

1. **NOT** operate a damaged, malfunctioning or unusually performing hoist.
2. **NOT** operate the hoist until you have thoroughly read and understood this Installation, Operating, & Maintenance Manual.
3. **NOT** operate a hoist which has been modified.
4. **NOT** lift more than rated load for the hoist.
5. **NOT** use hoist with twisted, kinked, damaged, or worn load chain.
6. **NOT** use the hoist to lift, support, or transport people.
7. **NOT** lift loads over people.
8. **NOT** operate a hoist unless all persons are and remain clear of the supported load.
9. **NOT** operate unless load is centered under hoist.
10. **NOT** attempt to lengthen the load chain or repair damaged load chain.
11. Protect the hoist's load chain from weld splatter or other damaging contaminants.
12. **NOT** operate hoist when it is restricted from forming a straight line from hook to hook in the direction of loading.
13. **NOT** use load chain as a sling or wrap load chain around load.
14. **NOT** apply the load to the tip of the hook or to the hook latch.
15. **NOT** apply the load unless load chain is properly seated in the chain wheel(s) or sprocket(s).
16. **NOT** apply load if bearing prevents equal loading on all load supporting chains.
17. **NOT** operate beyond the limits of the load chain travel.
18. **NOT** leave load supported by the hoist unattended unless specific precautions have been taken.
19. **NOT** allow the load chain or hook to be used as an electrical or welding ground.
20. **NOT** allow the load chain or hook to be touched by a live welding electrode.
21. **NOT** remove or obscure the warnings on the hoist.
22. **NOT** operate a hoist on which the safety placards or decals are missing or illegible.
23. **NOT** operate a hoist unless it has been securely attached to a suitable support.
24. **NOT** operate a hoist unless load slings or other approved single attachments are properly sized and seated in the hook saddle.
25. Take up slack carefully - make sure load is balanced and load holding action is secure before continuing.
26. Shut down a hoist that malfunctions or performs unusually and report such malfunction.
27. Make sure hoist limit switches function properly.
28. Warn personnel of an approaching load.

CAUTION

Improper operation of a hoist can create a potentially hazardous situation which, if **NOT** avoided, could result in minor or moderate injury. To avoid such a potentially hazardous situation, the operator shall:

1. Maintain a firm footing or be otherwise secured when operating the hoist.
2. Check brake function by tensioning the hoist prior to each lift operation.
3. Use hook latches. Latches are to retain slings, chains, etc. under slack conditions only.
4. Make sure the hook latches are closed and not supporting any parts of the load.
5. Make sure the load is free to move and will clear all obstructions.
6. Avoid swinging the load or hook.
7. Make sure hook travel is in the same direction as shown on the controls.
8. Inspect the hoist regularly, replace damaged or worn parts, and keep appropriate records of maintenance.
9. Use the hoist manufacturer's recommended parts when repairing the unit.
10. Lubricate load chain per hoist manufacturer's recommendations.
11. **NOT** use the hoist load limiting or warning device to measure load.
12. **NOT** use limit switches as routine operating stops unless allowed by manufacturer. They are emergency devices only.
13. **NOT** allow your attention to be diverted from operating the hoist.
14. **NOT** allow the hoist to be subjected to sharp contact with other hoists, structures, or objects through misuse.
15. **NOT** adjust or repair the hoist unless qualified to perform such adjustments or repairs.

SAFETY PRECAUTIONS



This symbol points out important safety instructions which if not followed could endanger the personal safety and/or property of yourself and others.

Read and follow all instructions in this manual and any provided with the equipment before attempting to operate your hoist.

HOIST SAFETY IS UP TO YOU...

WARNING

Do not lift more than rated load.

CHOOSE THE RIGHT HOIST FOR THE JOB...

Choose a hoist with the capacity for the job. Know the capacities of your hoists and the weight of your loads. Then match them.

The application, the size and type of load, the attachments to be used, period of use and capacity of supporting structures must also be taken into consideration in selecting the right hoist for the job.

Remember, the hoist was designed to ease our burden. Carelessness not only endangers the operator, but in many cases, a valuable load.

WARNING

Do not operate damaged or malfunctioning hoist.

Do not operate with twisted, kinked, or damaged chain.

INSPECT

All hoists should be visually inspected before use, in addition to regular, periodic maintenance inspections.

Inspect hoists for operations warning notices and legibility.

Deficiencies should be noted and brought to the attention of supervisors. Be sure defective hoists are tagged and taken out of service until repairs are made.

Under no circumstances should you operate a malfunctioning hoist.

Check for gouged, twisted, distorted links and foreign material. Do not operate hoists with twisted, kinked, or damaged chain links.

Load chain should be properly lubricated.

Hooks that are bent, worn, or whose openings are enlarged beyond normal throat opening should not be used. If latch does not engage throat opening of hook, hoist should be taken out of service.

Chains should be checked for deposits of foreign material which may be carried into the hoist mechanism.

Check brake for evidence of slippage under load.

WARNING

Do not pull at an angle. Be sure hoist and load are in a straight line.

Do not use load chain as a sling.

Violations of any of the warnings listed may result in serious personal injury to the operator or nearby personnel by nature of released load or broken hoist components.

LIFTING OF HAZARDOUS LOADS

This hoist is not recommended for use in lifting or transporting hazardous loads or materials which could cause widespread damage if dropped. The lifting of loads which could explode or create chemical or radioactive contamination if dropped requires fail-safe redundant supporting devices which are not incorporated into this hoist.

LIFTING OF GUIDED LOADS

LIFT PROPERLY

Do not lift people with a hoist.

Make sure everyone is clear of the load when you lift.

Do not remove or obscure operational warning notices.

USE HOIST PROPERLY

Be sure hoist is solidly held in the uppermost part of the support hook arc.

Be sure hoist and load are in a straight line. Do not pull at an angle.

Be sure load is hooked securely. Do not tip load the hook. Do not load hook latch. Hook latch is to prevent detachment of load under slack chain conditions only.

Do not use load chain as a sling. Such usage damages the chain and lower hook.

Do not operate with hoist head resting against any object. Lift the load gently. Do not jerk it.

WARNING

Do not lift people or loads over people.

MAINTAIN PROPERLY

Cleaning

Hoists should be kept clean and free of dust, dirt, moisture, etc., which will in any way affect the operation or safety of the equipment.

Lubrication

Chain should be properly lubricated.

After repairs

Carefully operate the hoist before returning it to full service.

FOREWORD

This manual contains important information to help you properly install, operate, and maintain your hoist for maximum performance, economy and safety.

Please study its contents thoroughly before putting your hoist into operation. By practicing correct operating procedures and by carrying out the recommended preventive maintenance suggestions, you will experience long, dependable, and safe service. After you have completely familiarized yourself with the contents of this manual, we recommend that you carefully file it for future reference.

The information herein is directed to the proper installation, use, care, and maintenance of the hoist and does not comprise a handbook on the broad subject of rigging.

Rigging can be defined as the process of lifting and moving heavy loads using hoists and other mechanical equipment. Skill acquired through specialized experience and study is essential to safe rigging operations. For rigging information, we recommend consulting a standard textbook on the subject.

TABLE OF CONTENTS

SAFETY PRECAUTIONS	3
FOREWORD	5
GENERAL INFORMATION	7
Specifications.....	7
Wireless Communication.....	7
ISED Compliance Statement.....	7
INSTALLATION	8
Unpacking Information.....	8
Installing Batteries.....	8
Checking Limit Switch Operation.....	8
Initial Chain Oiling.....	8
OPERATING INSTRUCTIONS	8
General.....	8
Hoist.....	8
Batteries and Chargers.....	9
Remote Control.....	9
Remote Control LED Indicators and Alerts.....	10
ONE-KEY™.....	11
Electrical Disconnect Key.....	11
Safe Operating Instructions and Procedures.....	11
INSPECTION	12
Preventive Maintenance.....	12
Suspension Inspection Criteria.....	12
Hook Removal Criteria.....	12
Inspecting the Load Chain.....	14
Removal and Installation of Load Chain.....	15
MAINTENANCE	15
Load Limiter.....	15
Hoist Lubrication.....	16
Exterior Finish.....	16
Brake Cleaning and Replacement.....	16
TROUBLESHOOTING	17
MANUAL LOWERING PROCEDURE	19
TECHNICAL DATA	20
Torque Specification.....	20
HOIST PARTS AND SERVICES	21
Parts List.....	21
ORDERING INSTRUCTIONS	22
WARRANTY	23
Limitation of Warranties, Remedies, and Damages.....	23

Table 9: Torque Specification.....	20
Table 10: Parts List.....	21

LIST OF ILLUSTRATIONS

Fig. 1: Installing Remote Control Batteries.....	8
Fig. 2: Hoist Features.....	9
Fig. 3: Back of Remote Control.....	10
Fig. 4: ONE-KEY™ Indicator.....	11
Fig. 5: Suspension Pin Retainer/Retainer Screw.....	12
Fig. 6: Hook Removal Criteria.....	13
Fig. 7: Chain Wear Areas.....	14
Fig. 8: Chain Dimensions.....	14
Fig. 9: Gaging Load Chain Wear.....	15
Fig. 10: Chain Embossing.....	15
Fig. 11: Brake Assembly.....	17
Fig. 12: Brake Alignment.....	17
Fig. 13: Manual Lowering Procedure.....	19
Fig. 14: Hoist Parts.....	21

LIST OF TABLES

Table 1: Wireless Communication.....	7
Table 2: Batteries and Chargers.....	9
Table 3: Hook Removal Criteria.....	13
Table 4: Minimum Frequent Inspections.....	13
Table 5: Minimum Periodic Inspections.....	14
Table 6: Chain Dimensions.....	14
Table 7: Brake Assembly.....	17
Table 8: Troubleshooting.....	17

GENERAL INFORMATION

SPECIFICATIONS

This hoist is a highly versatile materials handling device that can be used to lift loads that are within rated capacity. The mechanical features of these hoists include an alloy steel liftwheel, Load Limiter, hardened steel gear train, lifetime lubrication, standard chain container, forged steel hooks, and lightweight aluminum frame. The electrical features include battery-powered, brushless DC motor with variable speed and wireless remote control. This product is intended for Industrial and Commercial use.

Operating Conditions	
Temperature	0°F – 104°F (-18°C – 40°C)
Elevation	Max 3280 ft (1000 m)
Relative Humidity	Max 95%

Storage Conditions	
Temperature	-4°F – 140°F (-20°C – 60°C)
Relative Humidity	Max 95%

WIRELESS COMMUNICATION

Table 1. Wireless Communication

Cat. No	2980-20
ONE-KEY™ FCC ID	QQQ11
ONE-KEY™ IC	5123A-11
Remote Cat. No.	192092302
Volts	3V DC (1.5V AA X2)
FCC ID	SQGBL654
IC	3147A-BL654

Chemical Burn Hazard. Keep coin cell battery away from children.



Federal Communications Commission

Pursuant to part 15.21 of the FCC Rules, you are cautioned that changes or modifications not expressly approved by the party responsible for compliance could void your authority to operate the product.

This equipment has been tested and found to comply with the limits for a Class B digital device, pursuant to Part 15 of the FCC Rules. These limits are designed to provide reasonable protection against harmful interference in a residential installation. This equipment generates, uses, and can radiate radio frequency energy and, if not installed, and used in accordance with the instructions, may cause harmful interference to radio communications. However, there is no guarantee that interference will not occur in a particular installation. If this equipment does cause harmful interference to radio or television reception, which can be determined by turning the equipment off and on, the user is encouraged to try to correct the interference by one or more of the following measures:

- Reorient or relocate the receiving antenna.
- Increase the separation between the equipment and receiver.
- Connect the equipment into an outlet on a circuit different from that to which the receiver is connected.
- Consult the dealer or an experienced radio/TV technician for help.

ISED COMPLIANCE STATEMENT

This device contains licence-exempt transmitter(s)/receiver(s) that comply with Innovation, Science and Economic Development Canada's licence-exempt RSS(s). Operation is subject to the following two conditions: (1) This device may not cause interference. (2) This device must accept any interference, including interference that may cause undesired operation of the device.

This equipment complies with IC RSS-102 radiation exposure limits set forth for an uncontrolled environment. This transmitter must not be co-located or operating in conjunction with any other antenna or transmitter.

Certified Products for
US and Canada



802655



INSTALLATION

UNPACKING INFORMATION

When received, the hoist should be carefully inspected for damage that may have occurred during shipment or handling. Check the hoist frame for dents or cracks, the remote control for cut or damaged enclosure, and inspect the load chain for nicks and gouges.

INSTALLING BATTERIES

CAUTION

Ensure battery door on the hoist is latched and the remote battery chamber cover is securely fastened to maintain proper ingress protection.

INSTALLING REMOTE CONTROL BATTERIES

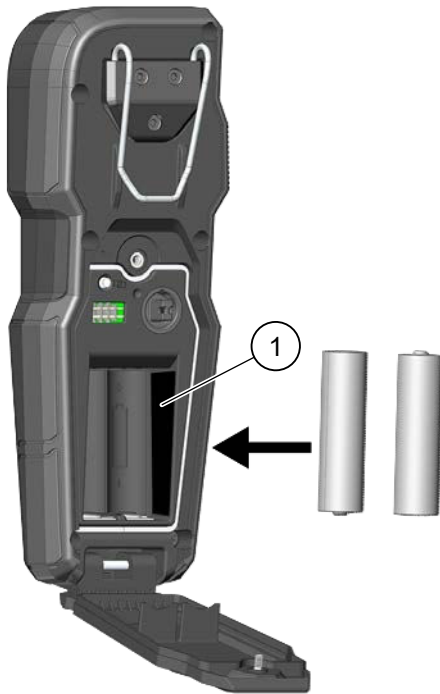


Figure 1. Installing Remote Control Batteries

1. Replace battery chamber cover and tighten the retaining screw.

INSTALLING HOIST BATTERY

CHECKING LIMIT SWITCH OPERATION

Operate hoist over the entire length of its rated lift, checking upper and lower limit switches for correct operation as follows:

1. Press Directional Button UP in Remote Control and cautiously raise the hook until the upper limit switch stops the upward motion.
2. Press Directional Button DOWN in Remote Control and cautiously lower hook until lower limit switch stops the downward motion.

WARNING

If the hook block or load comes in contact with the chain container/bag, the chain container/bag assembly may be damaged.

TO AVOID INJURY:

Make sure the chain bag is no more than 75% filled when the hook is at the upper limit.

INITIAL CHAIN OILING

WARNING

The load chain must be thoroughly oiled before use. Failure to do so can result in accelerated wear and possible damage to the hoist.

The load chain must be lubricated with appropriate oil (see "Hoist Lubrication", page 16) prior to use. Ensure oil reaches all areas of the chain, including the interlink area.

OPERATING INSTRUCTIONS

GENERAL

1. The load limiter is designed to slip on an excessive overload. An overload is indicated when the hoist will not raise the load. Also, a clutching noise may be heard if the hoist is loaded beyond rated capacity. Should this occur, immediately release the (UP) control to stop the operation of the hoist. At this point, the load should be reduced to the rated hoist capacity or the hoist should be replaced with one of the proper capacity. When the excessive load is removed, normal hoist operation is automatically restored.

CAUTION

The load limiter is susceptible to overheating and wear when slipped for extended periods. Under no circumstance should the clutch be allowed to slip for more than a few seconds.

2. All hoists are equipped with limit switches, which automatically stop the hook at travel limits of the chain.
3. If material being handled must be immersed in water, pickling baths, any liquid, or dusty or loose solids, use a sling chain of ample length so that the hook is always above the surface. Bearings in the hook block are shielded only against ordinary atmospheric conditions.

HOIST

1. Before picking up a load, check to see that the hoist is directly over the load.

WARNING

Load must be placed directly under the hoist or trolley. Avoid off-center loading of any kind.

2. Take up the slack in the load chain prior to lifting to avoid jerking the load. If there is any evidence of overloading, immediately lower the load and assess.
3. **DO NOT** allow the load to swing, or twist while hoisting.
4. **DO NOT** allow the load to bear against the hook latch.

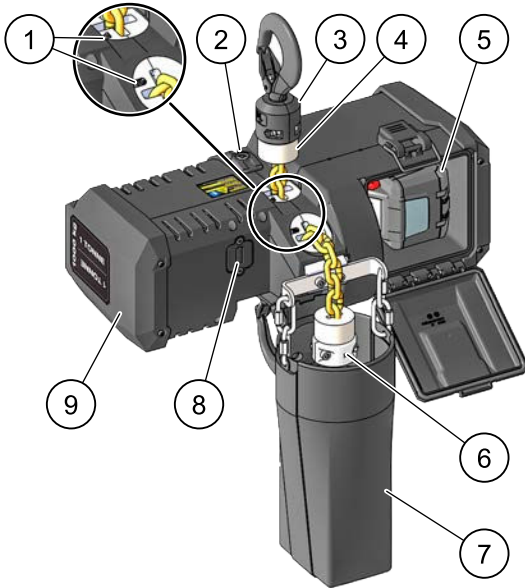


Figure 2. Hoist Features

- | | |
|-----------------------|--------------------------|
| 1 Limit Switches | 6 Chain Stop |
| 2 Brake Dust Caps | 7 Chain Bag |
| 3 Swivel Hook | 8 Coin Cell Battery Door |
| 4 Chain Stop Bumper | 9 Hoist End Cap |
| 5 Battery Compartment | |

BATTERIES AND CHARGERS

- Only use MILWAUKEE M18 batteries and chargers with this hoist.
 - 12.0 Ah battery is recommended for best performance.

The table below contains estimates of amount of lift at different load capacities. Note that these are estimates and actual performance will depend on the battery pack state of health.

Table 2. Batteries and Chargers

Battery	Load (Tonne)	Load (kg)	* Hook travel [ft]	* Hook travel [m]
12.0 Ah	1/4	250	480	146
	1/2	500	300	91
	3/4	750	220	67
	1	1000	180	55

* Estimated total travel with equal lifting and lowering

REMOTE CONTROL

Power ON

- ①** To power the Remote Control ON:
- Push and release the Power Button (2).
 - Remote Control searching for Hoist:
 - Power LED Indicator (1) intermediately flashes green
 - Remote Control and Hoist are linked:
 - Power LED Indicator (1) is solid green
 - Hoist buzzer sounds for 3 seconds
 - Connection Error
 - Power LED Indicator (1) quickly flashes green for 4 seconds
 - Remote Control turns OFF

Power OFF

- ①** To power the Remote Control OFF:
- Push and release Power Button (2).
 - Power LED Indicator (1) turns OFF
 - Remote Control powers OFF
 - Hoist remains ON and goes to sleep after 30 minutes

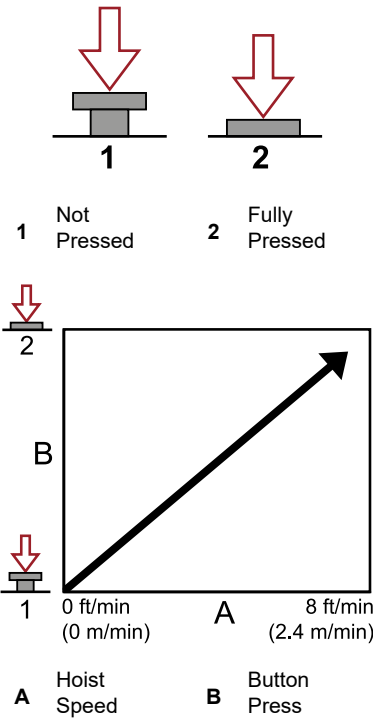
Auto-OFF

- 5 minutes after non-use:
- Remote Control powers OFF

Lift or Lower Hoist Load

- ↑** To lift the hoist load, press and hold the Directional Button UP (4).
- ↓** To lower the hoist load, press and hold the Directional Button DOWN (3).

The button-press is proportionally variable. The depth of the button-press controls the speed of the hoist.



The chain hoist stops when the direction button is released.

If both Directional Buttons UP (4) and DOWN (3) are pressed and held simultaneously, the hoist stops movement. Both buttons must be released before the load movement can continue.

Stop

- To activate Stop:
- Hoist receives Stop signal
 - Movement stops immediately
 - Remote Control turns OFF
- To reset the Stop:
- To turn the Remote Control back ON, press the Power Button,
 - Remote Control links with the hoist
 - Normal functionality resumes

NOTE: Turn the Remote Control off using the STOP button to preserve the Remote Control battery life.

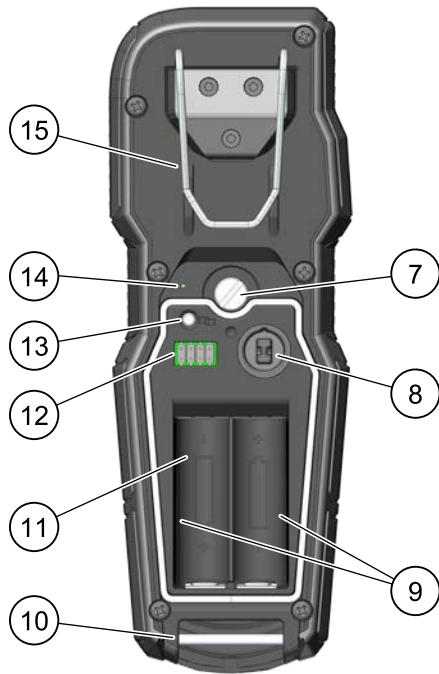


Figure 3. Back of Remote Control

- | | |
|---|----------------------------------|
| 7 Knurled Screw Attachment | 12 Diagnostic Port |
| 8 Removable Electrical Disconnect Key | 13 Pairing Button and Icon |
| 9 Label Location (Sides of Battery Chamber) | 14 Pairing/Linking LED Indicator |
| 10 Door Hinge and Lanyard Attachment | 15 Belt Clip |
| 11 AA Battery Chamber | |

NOTE: The Remote Control is paired with the hoist at factory. If re-pairing is required, follow the steps below.




Pairing Remote Control and Hoist

1. Ensure a battery is inserted in the desired hoist.
2. Remove batteries from all other hoists in the area during the pairing process.
3. Press and hold the Pairing Button for 6 seconds.
 - Successful Hoist and Remote Control pairing:
 - Pairing/Linking LED Indicator is solid green for 5 seconds and turns OFF
 - Power LED Indicator is solid green for 5 seconds and turns OFF
 - If pairing does not occur after 5 seconds:
 - Pairing/Linking LED Indicator quickly flashes green for 1 minute
 - Power LED Indicator quickly flashes green for 1 minute
 - Remote Control powers OFF

REMOTE CONTROL LED INDICATORS AND ALERTS

Power LED Indicator

- Remote Control ON and connected to the hoist
 - Indicator is solid green
- Low Battery in Remote Control (approx. 4 hours of runtime)
 - Indicator is slowly flashing green
- Pairing/Linking Mode
 - Indicator is intermediately flashing green
- Pairing/Linking unsuccessful
 - Indicator is quickly flashing green for 1 minute
- Remote Control is OFF
 - Indicator is off
- Hoist enters Sleep Mode
 - Remote Control turns OFF
 - Indicator is OFF
-  Low Battery (12.0 Ah battery at 25% SOC)
 - Indicator is slowly flashing red
- Dead battery
 - Indicator is solid red
 - Hoist does not operate until battery is replaced
 - Indicator is solid red
 - Hoist does not operate until battery is within normal operating temperature

Weight Overcapacity Indicator



- Directional Button UP (4) is pressed while the hoist load is over weight capacity
 - Indicator is solid red
 - Hoist buzzer sounds

Operator Indicator



- Hoist is above or below the safe operating temperature
 - Indicator is solid red
 - Hoist does not operate until operating temperature or conditions with product specifications are reached
- Hoist electronics error
 - Indicator is solid red
 - Hoist does not operate

Inspection Indicator



- If hoist inspection is due based on 365 day interval after initial ONE-KEY™ Configuration
 - Indicator is solid red
 - Hoist does still operate
- Hoist inspection is due within 30 days
 - Indicator is slowly flashing red
- After inspection
 - Indicator must be cleared via ONE-KEY™ app while connected to the hoist

NOTE: Inspection indicator will illuminate 365 days after initial ONE-KEY™ configuration indicating that the yearly inspection is due. Yearly inspection is based on normal use. For normal operation requirements, see "Inspection", page 12. If hoist is used in heavy or severe applications then inspections may need to be performed more frequently which may be configured via the ONE-KEY™ app.

Pairing/Linking LED Indicator (located behind battery door)

- Pairing/Linking Mode
 - Indicator is immediately flashing green
- Successful Pairing/Linking
 - Indicator is solid green for 5 seconds
- Pairing/Linking Error
 - Indicator is quickly flashing green for 1 minute

Security Lockout Indicator



Hoist is locked via ONE-KEY™

- All alert indicators are solid red
- Refer to ONE-KEY™ section for instructions on unlocking tool.

ONE-KEY™

WARNING
<p>CHEMICAL BURN HAZARD</p> <p>This device contains a lithium button/coin cell battery. A new or used battery can cause severe internal burns and lead to death in as little as 2 hours if swallowed or enters the body</p>
<p>TO AVOID INJURY:</p> <p>Always secure the battery cover. If it does not close securely, stop using the device, remove the batteries, and keep it away from children. If you think batteries may have been swallowed or entered the body, seek immediate medical attention.</p>

Internal Coin Cell Battery

An internal coin cell battery is used to facilitate full ONE-KEY™ functionality.

To replace the coin cell battery:

1. **WARNING!** Remove tool's battery to avoid starting the tool.
2. Loosen the screw(s) and open the coin cell battery door.
3. Remove the old coin cell battery, keep it away from children, and dispose of it properly.
4. Insert the new coin cell battery (3V CR2032), with the positive side facing up.
5. Close the battery door and tighten the screw/the screws securely.

ONE-KEY™

To learn more about the ONE-KEY™ functionality for this tool, go to milwaukeeetool.com/One-Key. To download the ONE-KEY™ app, visit the App Store® or Google Play™ from your smart device.

ONE-KEY™ Indicator	
Solid Blue	Wireless mode is active and ready to be configured via the ONE-KEY™ app.
Blinking Blue	Tool is actively communicating with the ONE-KEY™ app.
Blinking Red	Tool is in security lockout and can be unlocked by the owner via the ONE-KEY™ app.

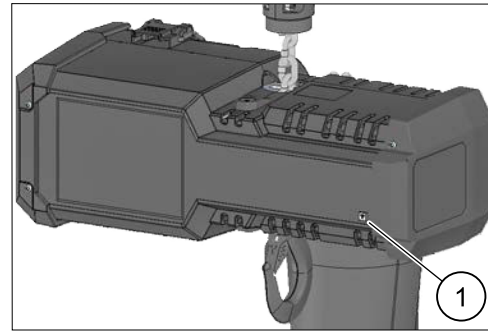


Figure 4. ONE-KEY™ Indicator

- 1 ONE-KEY™ Indicator

ELECTRICAL DISCONNECT KEY

Locking Remote Control

To lock Remote Control:

1. Remove the battery door via the knurled screw.
2. Pull and remove the Electrical Disconnect Key.
3. Ensure the Electrical Disconnect Key does not become misplaced.
 - Attaching a key ring to the Electrical Disconnect Key is recommended.

Unlocking Remote Control

To unlock Remote Control:

1. Remove the battery door via the knurled screw.
2. Insert the Electrical Disconnect Key into its location ensuring proper alignment.

CAUTION
<p>The Electrical Disconnect Key should be removed and securely stored when leaving hoist unattended.</p>

SAFE OPERATING INSTRUCTIONS AND PROCEDURES

For safety precautions and a list of Do's and Do Not's for safe operation of hoists, see page 3.

1. Permit only competent personnel to operate unit.
2. When preparing to lift a load, be sure that the attachments to the hook are firmly seated in hook saddle. Avoid off-center loading of any kind, especially loading on the point of hook.
3. **DO NOT** allow the load to bear against the hook latch. The latch is to help maintain the hook in position while the chain is slack before taking up slack chain.

WARNING
<p>Allowing the load to bear against the hook latch and/or hook tip can result in loss of load.</p>
<p>TO AVOID INJURY:</p> <p>Do not allow the load and/or attachments to bear against the hook latch and/or hook tip. Apply load to hook bowl or saddle only.</p>

- DO NOT** wrap the load chain around the load and hook onto itself as a choker chain.

Doing this will result in:

- The loss of the swivel effect of the hook, which could result in twisted chain and a jammed liftwheel.
- The upper limit switch is bypassed and the load could hit the hoist.
- The chain could be damaged at the hook.

- Before lifting load, check for twists in the load chain.
- Stand clear of all loads and avoid moving a load over the heads of other personnel. Warn personnel of your intentions to move a load in their area.
- DO NOT** leave the load suspended in the air unattended.
- DO NOT** use this or any other overhead materials handling equipment for lifting persons.
- DO NOT** load hoist beyond the rated capacity shown on ID plate.
- Warn personnel of your intention to lift a load in the area. Tie off the load with auxiliary chains, or cables before access to the area beneath the load is permitted.
- Take up a slack load chain carefully and start load easily to avoid shock and jerking of hoist load chain. If there is any evidence of overloading, immediately lower the load, and remove the excess load.
- When lifting, raise the load only enough to clear the floor or support, and check to be sure that the attachments to the hook and load are firmly seated. Continue lift only after you are assured the load is free of all obstructions.
- DO NOT** allow the load to swing or twist while hoisting.
- Never operate the hoist when flammable materials or vapors are present. Electrical devices produce arcs or sparks that can cause a fire or explosion.
- STAY ALERT!** Watch what you are doing and use common sense. Do not use the hoist when you are tired, distracted, or under the influence of drugs, alcohol or medication causing diminished control.

INSPECTION

To maintain continuous and satisfactory operation, a regular inspection procedure must be initiated to replace worn or damaged parts before they become unsafe. Inspection intervals must be determined by the individual application and are based on the type of service to which the hoist will be subjected.

The type of service to which the hoist is subjected can be classified as “Normal”, “Heavy”, or “Severe”.

Normal Service

Involves operation with randomly distributed loads within the rated load limit, or uniform loads less than 65% of rated load for not more than 25% of the time.

Heavy Service

Involves operating the hoist within the rated load limit which exceeds normal service.

Severe Service

Normal or heavy service with abnormal operating conditions or constant exposure to the elements of nature.

Two classes of inspection - frequent and periodic - must be performed.

Frequent Inspections

These inspections are visual examinations by the operator or other designated personnel. Records of such inspections are not required. The frequent inspections are to be performed monthly for normal service, weekly to monthly for heavy service, and daily to weekly for severe service, and they should include those items listed, see “Table 4: Minimum Frequent Inspections”, page 13.

Periodic Inspections

These inspections are visual inspections of external conditions by an appointed person. Records of periodic inspections are to be kept for evaluation of the condition of the hoist.

Periodic inspections are to be performed yearly for normal service, semi-annually for heavy service and quarterly for severe service, and they are to include those items listed, see “Table 5: Minimum Periodic Inspections”, page 14.

CAUTION

Any deficiencies found during inspections are to be corrected before the hoist is returned to service. Also, the external conditions may show the need for disassembly to permit a more detailed inspection, which, in turn, may require the use of nondestructive-type testing.

PREVENTIVE MAINTENANCE

In addition to the above inspection procedure, a preventive maintenance program should be established to prolong the useful life of the hoist and maintain its reliability and continued safe use. The program should include the periodic and frequent inspections with particular attention being paid to the lubrication of the various components using the recommended lubricants.

SUSPENSION INSPECTION CRITERIA

- Ensure the suspension pin retainer (1) is free from cracks and defects and that the screw is present and tight.

If reinstalling the retaining screw:

- Ensure the threads are clean and dry.
- Apply medium strength threadlocker to the retainer screw (2).



Figure 5. Suspension Pin Retainer/Retainer Screw

- 1 Suspension Pin Retainer 2 Retainer Screw

HOOK REMOVAL CRITERIA

- Missing or illegible rated load identification, or illegible hook manufacturer’s identification, or secondary manufacturer’s identification.
- Excessive pitting or corrosion.
- Cracks, nicks, or gouges.
- Wear – any wear exceeding 10% of the original section dimension of the hook, or its load pin.
- Deformation – any visibly apparent bend, or twist from the plane of the unbent hook.

- f) Throat opening – any distortion causing an increase in the throat opening of 5%, not to exceed 1/4" (6 mm).
- g) Inability to lock – any self-locking hook that does not lock.
- h) Inoperative latch – any damaged latch, or malfunctioning latch that does not close the hook's throat.
- i) Thread wear, damage, or corrosion.
- j) Evidence of excessive heat exposure, or unauthorized welding.
- k) Evidence of unauthorized alterations such as drilling, machining, grinding, or other modifications.

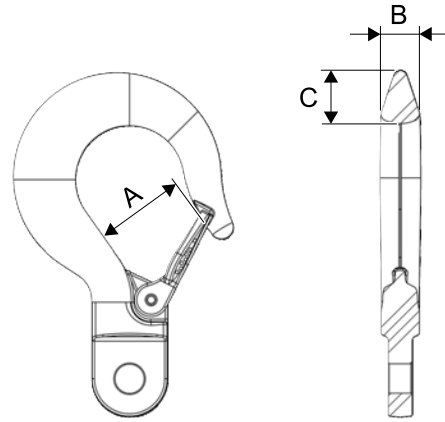


Figure 6. Hook Removal Criteria

Table 3. Hook Removal Criteria

Hook Dimension	Criteria (mm)	
A	Nominal: 38	Max: 39.9
B	Nominal: 15	Min: 13.5
C	Nominal: 22	Min: 19.8

Table 4. Minimum Frequent Inspections

Type of Service			Item
Normal	Heavy	Severe	
Monthly	Week-ly to Monthly	Daily to Weekly	a) Brake for evidence of slippage or rollback.
			b) Control functions for proper operation.
			c) Hooks for damage, cracks, twists, excessive throat opening, latch engagement, and latch operation, see <i>"Hook Removal Criteria"</i> , page 12.
			d) Load chain for adequate lubrication, as well as for signs of wear, damaged links, or foreign matter, see <i>"Inspecting the Load Chain"</i> , page 14.
			e) Load chain for proper reeving and twists.

Table 5. Minimum Periodic Inspections

Type of Service			Item
Normal	Heavy	Severe	
Yearly	Every 6 Months	Every 3 Months	a) All items listed for frequent inspections, see "Table 4: Minimum Frequent Inspections", page 13.
			b) External evidence of loose screws, bolts, or nuts.
			c) External evidence of worn, corroded, cracked, or distorted hook block, suspension screws, gears, bearings, and dead end block.
			d) External evidence of damage to lower hook assembly. Also check the upper suspension making sure the retaining screw is present and tight.
			e) External evidence of damage, or excessive wear of the liftwheel pockets. Widening and deepening of the pockets may cause the chain to lift-up in the pocket, and result in binding between liftwheel, and chain guides. Also check the chain guide for wear, or burring where the chain enters the hoist. Severely worn, or damaged parts should be replaced.
			f) External evidence of excessive wear of brake parts, see " <i>Brake Cleaning and Replacement</i> ", page 16.
			g) Check the operation of the Remote Control making sure the buttons operate freely, and do not stick in any position.
			h) Inspect the Remote Control enclosure for damaged insulation.
			i) Inspect suspension components for damage, cracks, wear, and operation. Also check hook retainer screw and ensure it is properly torqued.
			j) Inspect the loose end chain stop and bumper. Replace worn, or distorted parts.
			k) Inspect the suspension lug, or hook for excess free play, or rotation. Replace worn parts as evidenced by excess free play, or rotation.
l) Inspect for signs of lubricant leakage at the gearbox.			

INSPECTING THE LOAD CHAIN

The chain must be inspected at regular intervals, with a minimum of once annually. As the frequency of use increases, the time intervals between inspections must be reduced. During inspection, the chain link must be examined along its entire length, including the hidden parts. If the lifting equipment is frequently used with a constant lifting distance, or in other words the switch from upward to downward often takes place in the same area, a particularly thorough inspection, and lubrication is required in that area. Worn chain can also be an indication of worn hoist components. For this reason, the hoist's chain guides, hook blocks and liftwheel (sprocket) should be examined for wear and replaced as necessary when replacing chain.

1. Check to see if chain is dirty or poorly lubricated, see "*Hoist Lubrication*", page 16.
2. Clean the chain with a non-caustic/non-acid-type solvent and perform a link-by-link inspection for wear, or cracks, twisting or deformation. Replace chain that shows any of these defects.
3. Slack the portion of the chain that normally passes over the lift-wheel (sprocket). Examine the chain links for wear (see Fig. 7). If the wire diameter anywhere on the link measures less than 90% of the nominal wire diameter, replace the chain.

NOTE: Nominal pitch over 11 links is 8.25 inches (209.5 mm). However, comparing the pitch of worn sections to unworn sections is considered best practice and recommended by the manufacturer.

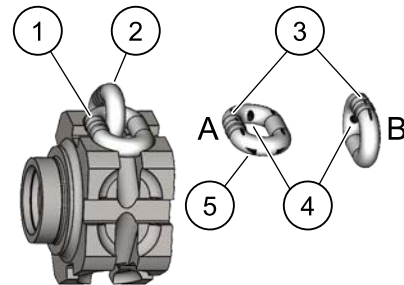


Figure 7. Chain Wear Areas

- A Flat lay marks
- B Upstanding link mark
- 1 Flat lay link
- 2 Upstanding link
- 3 Chain guide marks
- 4 Interlink marks
- 5 Wear areas

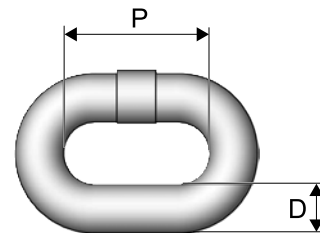


Figure 8. Chain Dimensions

- P Nominal pitch
- D Nominal wire diameter

Table 6. Chain Dimensions

P	D
0.750" (19.05 mm)	0.250" (6.3 mm)

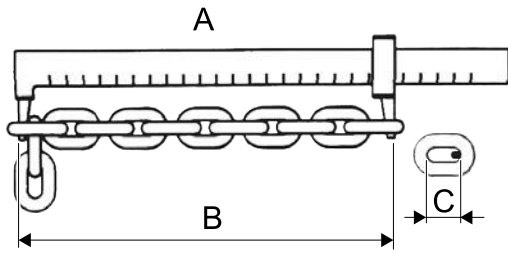


Figure 9. Gaging Load Chain Wear

- A Vernier caliper
- B Measure 11 pitches
- C One pitch

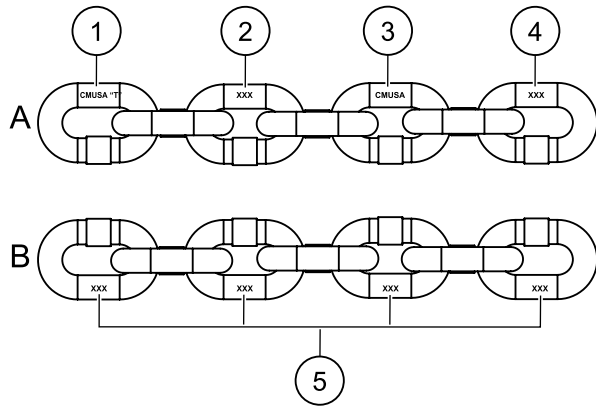


Figure 10. Chain Embossing

- A Front
- B Back
- 1 CMUSA "T"
- 2 Clock Number (3 Digits)
- 3 CMUSA
- 4 Trace Code (3 Digits)
- 5 Julian Date (3 Digits)

Use only original Grade T load chains and original spare parts from the manufacturer. Use of other chain and parts may be dangerous and voids factory warranty.

NOTE: Do not use replaced chain for other purposes such as lifting or pulling. Load chain may break suddenly without visual deformation. For this reason, cut replaced chain into short lengths to prevent use after disposal.

⚠ WARNING	
Use of commercial or other manufacturer's chain, and parts to repair hoists may cause load loss.	
TO AVOID INJURY:	
Use only manufacturer-supplied replacement load chain and parts. Chain and parts may look similar, but manufacturer chain and parts are made of specific material, or processed to achieve specific properties.	

REMOVAL AND INSTALLATION OF LOAD CHAIN

⚠ WARNING	
Improper installation (reeving) of the load chain can result in a dropped load.	
TO AVOID INJURY/DAMAGE:	
<ul style="list-style-type: none"> • Verify use of proper size and type of hoist load chain for specific hoist. • Install load chain properly as indicated below. 	

The first method is recommended when replacing severely worn load chain and requires disassembling the hoist. Method two does not require hoist disassembly.

NOTE: When replacing the chain, it is crucial that the chain is oriented with the welds on the upstanding links AWAY from the liftwheel.

Method #1

- a) Remove battery from the hoist.
- b) Detach loose end chain stop and lower hook block from the chain.
- c) Continue to disassemble the hoist and inspect the liftwheel, chain guides, motor housing and gear housing. If any of these components are worn or damaged, premature failure of the new chain may result. Parts can be easily identified by accessing the Parts List.
- d) If the liftwheel pockets, particularly the ends, are worn or scored, replace liftwheel. If chain guides and housings are worn, cracked, or damaged, these parts should also be replaced.
- e) Reassemble hoist with the new load chain inserted over the liftwheel. Position chain with the weld on upstanding links away from liftwheel and leave approximately 1 foot (0.3 m) of chain hanging free on loose end side.

NOTE: To simplify handling when reassembling the hoist, a short undamaged piece of the old chain may be used as a "starter chain". Position this piece of chain in the same manner as explained above for the "new chain" and complete the reassembly of the hoist. See Method #2 below for more details on using starter chain.

- f) Reinstall the loose end chain stop and bumper.
- g) Attach the hook block and bumper to new load chain.

Method #2

- a) Detach loose end chain stop and lower hook block from the chain.
- b) Treat the old load chain in hoist as a "starter chain", and use the loose end link to serve as a temporary coupling link.
- c) Connect the starter chain in the hoist, and the new load chain to be installed. Ensure proper orientation of the new chain with the welds facing away from the liftwheel.
- d) Under power, reeve the new load chain through the liftwheel area, replacing the starter chain in unit. Run enough chain through to attach loose end chain stop.
- e) Reinstall the loose end chain stop and bumper.
- f) Attach the hook block and bumper to new load chain.

MAINTENANCE

LOAD LIMITER

The load limiter should operate for the normal life of the hoist without service. The device has been calibrated at the factory for a specific model of hoist.

⚠ WARNING

The lubricants used in and recommended for the hoist may contain hazardous materials that mandate specific handling and disposal procedures.

TO AVOID CONTACT AND CONTAMINATION:

Handle and dispose of lubricants only as directed in applicable material safety data sheets and in accordance with applicable local, state and federal regulations.

HOIST LUBRICATION

GEARS

NOTE: To assure extra-long life and top performance, be sure to lubricate the various parts of the hoist using the lubricants specified. If desired, these lubricants may be purchased from the manufacturer. See online Parts list for required lubricants.

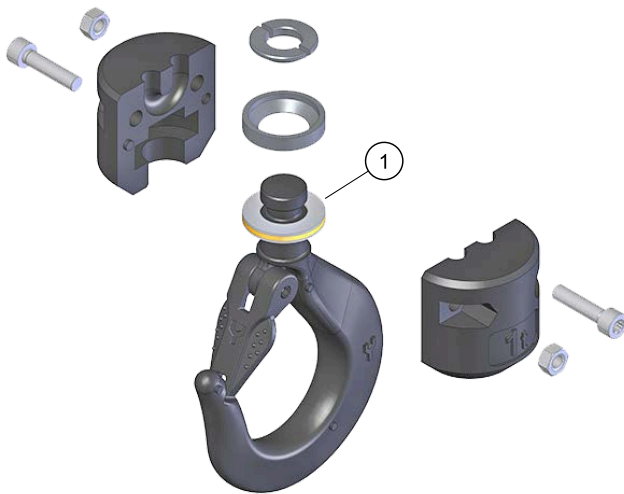
The gearbox is packed with grease during assembly and should not need to be replaced unless the gears have been removed from the housing and degreased. **Do not attempt to repair or service the planetary gearbox.**

If the gears are removed from the housing, wipe off the excess grease with a soft cloth and degrease the gears and housings. Upon reassembly, add grease to gears and housing.

- Required grease type: Fuchs Lubricants Co. Stabyl HT 100 or equivalent
- Required grease volume: 1.5 fl.oz (44 ml)

BEARINGS

All bearings and bushings, except the lower hook thrust bearing, are pre-lubricated and require no lubrication. The lower hook thrust bearing should be lubricated at least once a month with Dow Corning Molykote BR-2-5 grease or equivalent. Apply a thin film to both sides of the bearing. Do not allow grease on fastener threads.



1 Thrust bearing

CHAIN GUIDES AND LIFTWHEEL

When the hoist is disassembled for inspection and/or repair, the chain guides and liftwheel must be lubricated with Lubriplate Rock Drill Oil 10-R (Fiske Brothers Refining Co.), Citgo Rock Drill Oil 46, or equivalent prior to reassembly. The lubricant must be applied in sufficient quantity to obtain natural runoff and full coverage of these parts.

LOAD CHAIN

A small amount of lubricant will greatly increase the life of the load chain. Do not allow the chain to run dry.

Keep the chain clean and lubricate it at regular intervals with Lubriplate Rock Drill Oil 10-R (Fiske Brothers Refining Co.), Citgo Rock Drill Oil 46, or equivalent. Normally, weekly lubrication and cleaning is satisfactory, but under hot and dirty conditions, it may be necessary to clean the chain at least once a day and lubricate it several times between cleanings.

When lubricating the chain, apply sufficient lubricant to obtain natural runoff and full coverage, especially in the interlink area.

⚠ WARNING

Used motor oils contain known carcinogenic materials.

TO AVOID HEALTH PROBLEMS:

- Never use used motor oils as a chain lubricant.
- Only use recommended lubricant for the load chain.

EXTERIOR FINISH

The exterior surfaces of this hoist are made of a durable polymer that requires no maintenance. Exterior surfaces can be cleaned by wiping with a cloth.

BRAKE CLEANING AND REPLACEMENT

BRAKE CLEANING

To prevent excess buildup of brake dust, follow the procedure below every 20 hours of operation.

Remove dust caps from the outer housing and use a suitable vacuum to remove excess brake dust.

NOTE: Use a suitable dust extraction device with a minimum of a HEPA filter and appropriate PPE to avoid exposure to dust particles.

BRAKE ADJUSTMENT/REPLACEMENT

The hoist brake may require periodic adjustment over the life of unit. The distance the load drifts downward immediately after lifting is referred to as rollback. If the rollback when lifting rated load exceeds two inches, a brake adjustment is necessary. A qualified technician can follow the steps below to disassemble and adjust the brake assembly to restore performance.

Disassemble the unit to access the brake components. Refer to Fig. 11 below, and remove the snap ring and the brake hub driver. For adjustment, hand tighten the brake hub to fully seat all components. Re-install the hub driver, making sure the hub driver pointer is inside the alignment zone as shown below in Fig. 12. The brake hub must remain tight during the alignment process for proper orientation.

For replacement, remove all existing brake parts shown in Fig. 11. Ensure all parts are clean, and all four springs are installed in the frame during reassembly. Carefully apply a thin coat of Molykote® 41 Extreme High Temperature Grease to the threads of the Brake Hub (item 5). Make sure no grease comes in contact with the friction surfaces. Follow the brake adjustment procedure outlined above after installing the remaining brake parts.

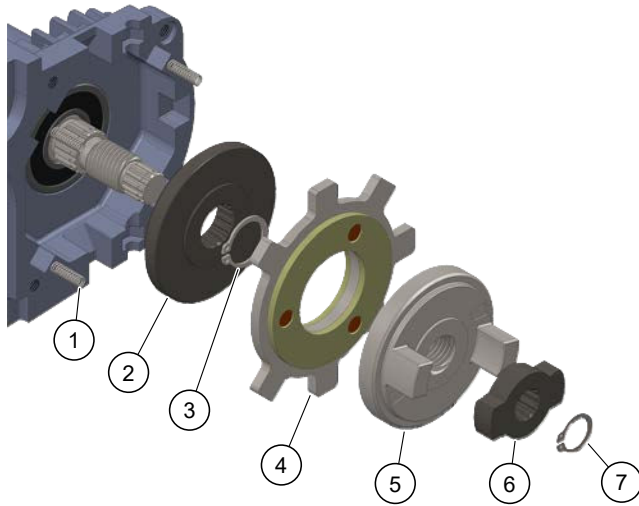


Figure 11. Brake Assembly

Table 7. Brake Assembly

ITEM NO.	DESCRIPTION	QTY.
1	BRAKE SPRING	4
2	COUNTER DISC	1

ITEM NO.	DESCRIPTION	QTY.
3	RETAINING RING – 19x1.2	1
4	LOCK DISC	1
5	BRAKE HUB	1
6	HUB DRIVER	1
7	RETAINING RING - 14x1	1

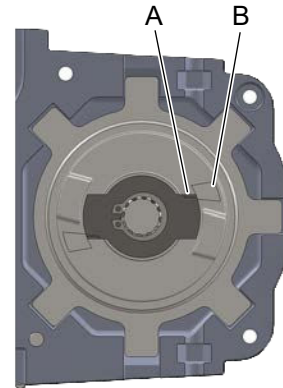


Figure 12. Brake Alignment

A Brake driver pointer

B Alignment zone

TROUBLESHOOTING

Table 8. Troubleshooting

Trouble	Probable Cause	Remedy
Hook does not respond to the Remote Control device.	Low or no hoist battery voltage	Check “M18 Battery Indicator” on Remote Control
	Low or no Remote Control battery voltage	Check/replace Remote Control batteries
	Remote Control is not connected to the hoist	Press the Power Button to connect the Remote Control to its hoist
	The upper or lower limits have stopped the hoist motion	This is expected operation
	Excessive load	Check “Weight Overcapacity Indicator” on Remote Control
	Loose connections in hoist	Inspect connections
Hook moves in wrong direction.	Remote Control is held upside down	
Hook lowers but will not raise	Excessive load (load limiter active)	Check “Weight Overcapacity Indicator” on Remote Control
	Chain knot	Disentangle chain
	Upper limit position has been reached	This is expected operation
	Open hoisting circuit - open; Remote Control contacts faulty	Replace Remote Control
Hook raises but will not lower	Open hoisting circuit - open; Remote Control contacts faulty	Replace Remote Control
	Chain knot	Disentangle chain
	Lower limit position has been reached	This is expected operation
Hook lowers when hoisting control is not operated	Excessive load applied from the outside	Ensure hoist load is known and below the rated capacity
	Brake has reached end of life	Inspect and replace brake
Hook does not stop promptly	Brake slipping due to contamination	Open inspection caps and check for fluids etc.
	Brake has reached end of life	Check load displacement after stopping from lifting

Trouble	Probable Cause	Remedy
Hoist operates sluggishly	Excessive load	Check "Weight Overcapacity Indicator" on Remote Control
	Brake dragging	Inspect and adjust brake
	Load chain worn out	Check chain wear
Operator Indicator illuminates	Excessive load	Check "Weight Overcapacity Indicator" on Remote Control
	Ratio idle to running time is less than 4 (exceeding 20% duty cycle rating)	Increase idle time
	Hoist is used continuously for more than 7.5 min (exceeding short time rating)	Reduce continuous run time (from cold state) to 7.5 minutes or less
Hook fails to stop at either or both ends of travel	Missing, loose, or damaged components	Inspect
Hook stopping point varies	Missing, loose, or damaged components	Inspect
	Brake not holding	Inspect brake

MANUAL LOWERING PROCEDURE

The hoist may be operated manually by using an electric drill and an SAE 3/16" socket.

1. Remove the hoist end cap (1) on the motor side of the hoist by removing the four screws (2) as shown below.
2. Remove the motor shaft cover (3) held on by the two screws (4).
3. Use a drill and a socket to spin the motor shaft (5) counter-clockwise to lower the load, or clockwise to raise the load.
4. Replace the motor shaft cover (3) and hoist end cap (1).

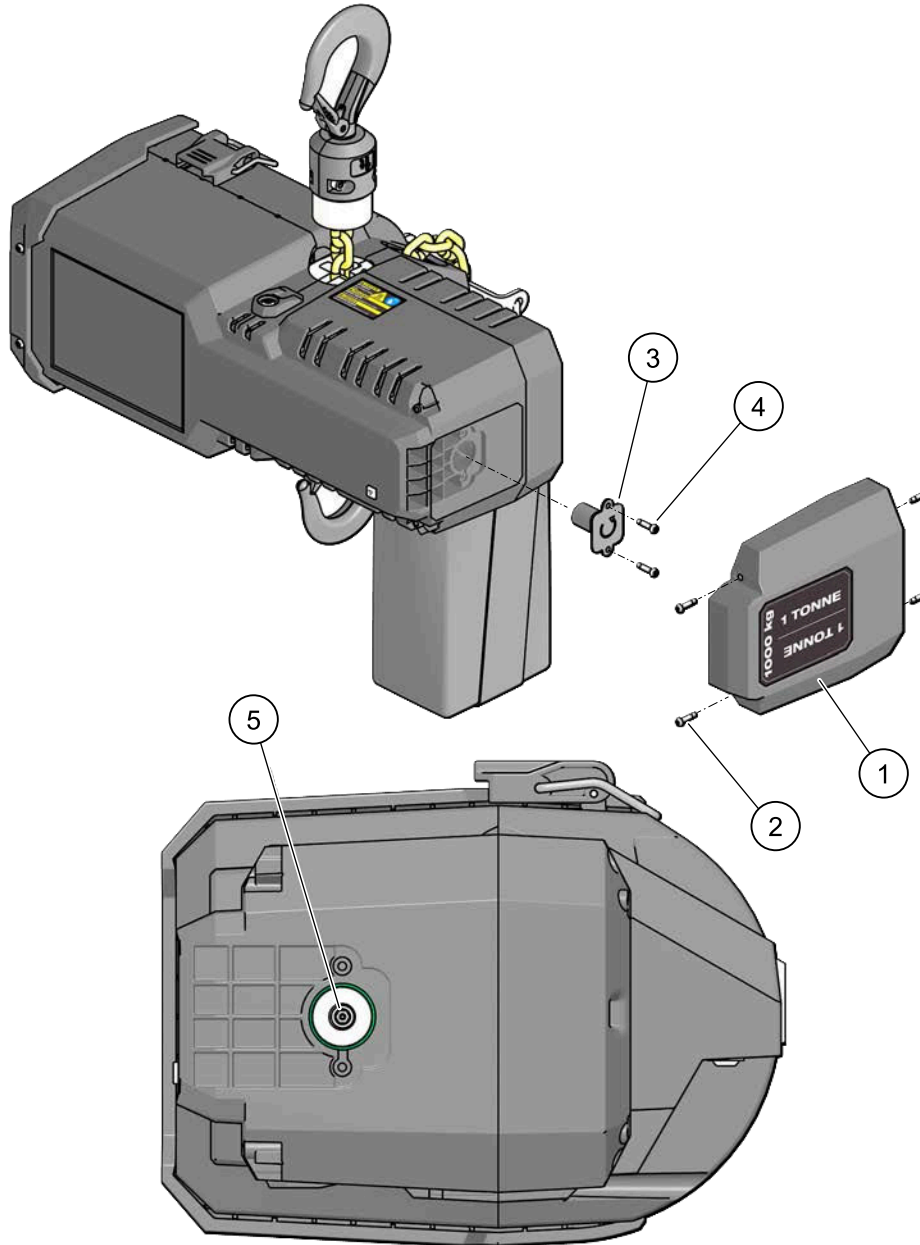


Figure 13. Manual Lowering Procedure

TECHNICAL DATA

TORQUE SPECIFICATION

Table 9. Torque Specification

Fastener	Fastener Description	Tool Required	* Recommended Seating Torque	
			in-lbs	Nm
Center Housing Screws	M6 TORX Head Cap Screw	T30 TORX Driver	89	10
Suspension Bolt Screw	M4 TORX Head Cap Screw	T20 TORX Driver	30	3.5
Bottom Hook Block Screws	M6 TORX Head Cap Screw	T30 TORX Driver	89	10
Chain Stop	M6 TORX Head Cap Screw	T30 TORX Driver	89	10
Chain Bag Bracket	M6 TORX Head Cap Screw	T30 TORX Driver	89	10
Brake Dust Caps	M6 TORX Button Head Screw	T30 TORX Driver	89	10
Plastic Housing Screws	M4 TORX Head Cap Screw	T20 TORX Driver	17	2
Hoist End Cap Bumpers	M4 TORX Head Cap Screw	T20 TORX Driver	7	1
Motor Shaft Cover	M4 TORX Head Cap Screw	T20 TORX Driver	7	1
Coin Cell Battery Cover	M4 TORX Head Cap Screw	T20 TORX Driver	9	1

* All torque values are for clean, dry fasteners with pre-applied threadlocker.
DO NOT apply oil or any other lubricant to the fastener threads.
Torque value should be reduced by 20% when applying a liquid threadlocker.



Follow all instructions and warnings for inspecting, maintaining, and operating this hoist.

HOIST PARTS AND SERVICES

PARTS LIST

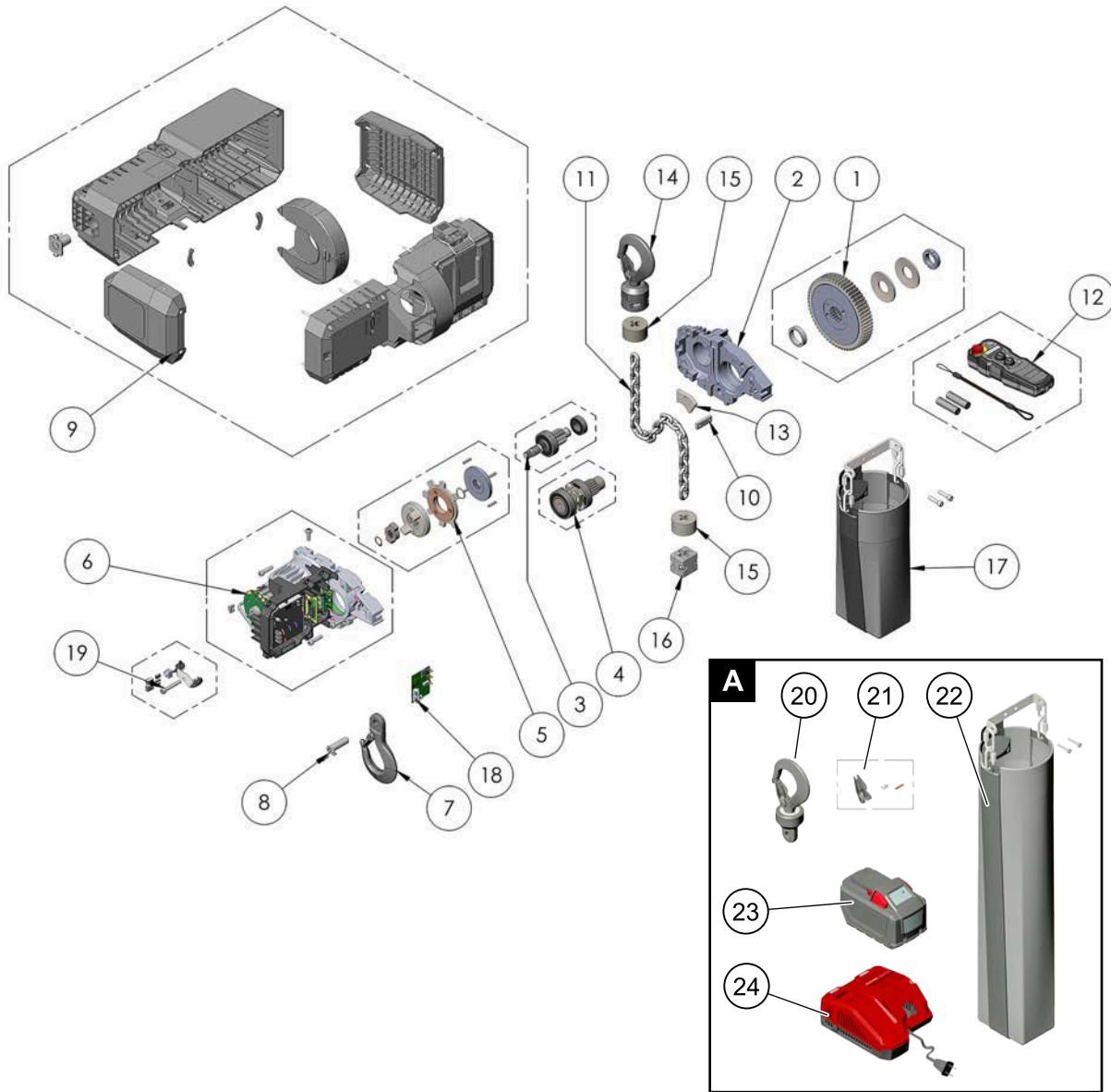


Figure 14. Hoist Parts

Table 10. Parts List

ITEM NO.	PART NO.	DESCRIPTION	QTY.
1	192098915	CLUTCH KIT	1
2	192087948	CENTER HOUSING GEAR SIDE	1
3	192098916	DRIVESHAFT KIT	1
4	192098918	LIFTWHEEL KIT	1
5	192098917	BRAKE PARTS KIT	1
6	192098913	MOTOR SIDE ASSEMBLY KIT	1
7	192087967	TOP HOOK ASSEMBLY	1
8	192098905	HOOK PIN KIT	1
9	192098903	PLASTICS KIT	1
10	192094186	SLIDE NUT	1

ITEM NO.	PART NO.	DESCRIPTION	QTY.
11	636224	LOAD CHAIN 0.250 T GRADE	21
12	192098906	REMOTE CONTROL KIT	1
13	192087964	CHAIN STRIPPER	1
14	192089989	BOTTOM BLOCK ASSEMBLY	1
15	192089493	CHAIN STOP BUMPER	2
16	192091312	CHAIN STOP KIT	1
17	192098908	CHAIN BAG KIT, 11"	1
18	192098912	HOIST PCB KIT	1
19	192098918	LIMIT SWITCH KIT	1
OPTIONAL PARTS A			
20	192095276	SWIVEL HOOK	1
21	00400450	LATCH KIT 1 TONNE	1
22	192098911	CHAIN BAG KIT, 23"	1
23	192098605	M18 FUEL 12 AH - BATTERY PACK	1
24	192098607	M18 RAPID CHARGER	1

PARTS FOR YOUR HOIST ARE AVAILABLE FROM YOUR LOCAL AUTHORIZED REPAIR STATION.
FOR THE NAME OF THE NEAREST PARTS OR SERVICE CENTER, VISIT OUR WEBSITE
www.cmco.com

ORDERING INSTRUCTIONS

The following information must accompany all correspondence orders for replacement parts:

- Hoist Model and serial numbers from the product ID label.

NOTE: When ordering replacement parts, it is recommended that consideration be given to the need for also ordering such items as gaskets, screws and straps, etc. These items may be damaged or lost during disassembly or just unfit for future use because of deterioration from age or service

WARRANTY

LIMITATION OF WARRANTIES, REMEDIES, AND DAMAGES

Indemnification and safe operation

Buyer shall comply with and require its employees to comply with directions set forth in instructions and manuals furnished by Seller and shall use and require its employees to follow such instructions and manuals and to use reasonable care in the use and maintenance of the Goods and any Replacement Parts. Buyer shall not remove or permit anyone to remove any warning or instruction signs on the Goods or Replacement Parts. In the event of personal injury or damage to property or business arising from the use of the Goods or Replacement Parts, Buyer shall within 48 hours thereafter give Seller written notice of such injury or damage. Buyer shall cooperate with Seller in investigating any such injury or damage and in the defense of any claims arising therefrom.

If Buyer fails to comply with this section or if any injury or damage is caused, in whole or in part, by Buyer's failure to comply with applicable federal or state laws, rules or regulations safety requirements, Buyer shall indemnify and hold Seller harmless against any claims, loss or expense for injury or damage arising from the use of the Goods and/or Replacement Parts.

WARNING

Alterations or modifications of equipment and use of non-Seller replacement parts can lead to dangerous operation and injury.

TO AVOID INJURY:

- Do not alter or modify equipment.
- Do use only replacement parts manufactured by seller.

MANUEL D'INSTALLATION, D'UTILISATION ET D'ENTRETIEN

PALAN ÉLECTRIQUE À CHAÎNE
ALIMENTÉ PAR BATTERIE ET À
VITESSE VARIABLE



BATTERYSTAR™

BATTERY POWERED CHAIN HOIST

Avant d'installer le palan, remplissez les informations ci-dessous

Model Number _____
Serial No. _____
Purchase Date _____
Voltage 18 VDC _____
Rated Load 1 Tonne (2204 lbs) (1000 kg) _____



AVERTISSEMENT

Suivez toutes les instructions et tous les avertissements relatifs à l'inspection, à l'entretien et à l'utilisation de ce palan. L'utilisation de tout palan présente un certain risque de blessures ou de dommages matériels. Ce risque est considérablement accru si les instructions et les avertissements appropriés ne sont pas respectés. Avant d'utiliser ce palan, chaque opérateur doit se familiariser avec tous les avertissements, instructions et recommandations de ce manuel. **Conservez ce manuel pour pouvoir le consulter et l'utiliser ultérieurement.**

Transmettre ce manuel à l'opérateur. Le fait de ne pas utiliser l'appareil conformément aux instructions du manuel peut entraîner des blessures.



AVERTISSEMENT

L'utilisation incorrecte d'un palan peut créer une situation potentiellement dangereuse qui, si elle **n'est PAS** évitée, peut entraîner la mort ou des blessures graves. Pour éviter une telle situation potentiellement dangereuse, l'opérateur doit :

1. **NE PAS** utiliser un palan endommagé, qui fonctionne mal ou dont les performances sont anormales.
2. **NE PAS** utiliser le palan avant d'avoir lu et compris le présent manuel d'installation, d'utilisation et d'entretien.
3. **NE PAS** utiliser un palan qui a été modifié.
4. **NE PAS** soulever une charge supérieure à la charge nominale de l'appareil de levage.
5. **NE PAS** utiliser le palan avec une chaîne de charge tordue, pliée, endommagée ou usée.
6. **NE PAS** utiliser le palan pour soulever, soutenir ou transporter des personnes.
7. **NE PAS** soulever de charges au-dessus de personnes.
8. **NE PAS** utiliser un palan si toutes les personnes ne sont pas et ne restent pas à l'écart de la charge supportée.
9. **NE PAS** opérer si la charge n'est pas centrée sous le palan.
10. **NE PAS** essayer de rallonger la chaîne de chargement ou de réparer une chaîne de chargement endommagée.
11. Protégez la chaîne de charge du palan des projections de soudure ou d'autres contaminants dommageables.
12. **NE PAS** utiliser le palan lorsqu'il ne peut pas former une ligne droite d'un crochet à l'autre dans le sens du chargement.
13. **NE PAS** utiliser la chaîne de levage comme une élingue ni l'enrouler autour de la charge.
14. **NE PAS** appliquer la charge sur la pointe du crochet ou sur le linguet du crochet.
15. **NE PAS** appliquer la charge si la chaîne de charge n'est pas correctement installée dans le(s) pignon(s) ou la(les) roue(s) à chaîne.
16. **NE PAS** appliquer de charge si le palier empêche une charge égale sur toutes les chaînes supportant la charge.
17. **NE PAS** opérer au-delà des limites de la course de la chaîne de levage.
18. **NE PAS** laisser la charge supportée par le palan sans surveillance, sauf si des précautions particulières ont été prises.
19. **NE PAS** permettre à la chaîne ou au crochet de charge d'être utilisé comme masse électrique ou de soudage.
20. **NE PAS** laisser la chaîne ou le crochet de charge être touché par une électrode de soudage sous tension.
21. **NE PAS** enlever ou masquer les avertissements sur le palan.
22. **NE PAS** utiliser un palan sur lequel les plaques ou les autocollants de sécurité sont absents ou illisibles.
23. **NE PAS** utiliser un palan s'il n'a pas été solidement fixé à un support approprié.
24. **NE PAS** utiliser un palan à moins que les élingues de charge ou d'autres accessoires uniques approuvés ne soient correctement dimensionnées et placées dans la sellette du crochet.
25. Reprendre le mou avec précaution - s'assurer que la charge est équilibrée et que l'action de maintien de la charge est sûre avant de continuer.
26. Arrêtez un palan qui fonctionne mal ou qui a des performances inhabituelles et signalez ce dysfonctionnement.
27. Assurez-vous que les interrupteurs de fin de course du palan fonctionnent correctement.
28. Avertir le personnel de l'approche d'une charge.

ATTENTION

L'utilisation incorrecte d'un palan peut créer une situation potentiellement dangereuse qui, si elle **N'EST PAS** évitée, peut entraîner des blessures mineures ou modérées. Pour éviter une telle situation potentiellement dangereuse, l'opérateur doit :

1. Maintenir un pied ferme ou être autrement sécurisé lors de l'utilisation du palan.
2. Vérifier le fonctionnement du frein en tendant le palan avant chaque opération de levage.
3. Utiliser des loquets à crochets. Les loquets sont destinés à retenir les élingues, les chaînes, etc., en cas de relâchement uniquement.
4. Assurez-vous que les crochets sont fermés et qu'ils ne soutiennent aucune partie de la charge.
5. Assurez-vous que la charge est libre de se déplacer et qu'elle peut franchir tous les obstacles.
6. Évitez de faire osciller la charge ou le crochet.
7. Assurez-vous que la course du crochet se fait dans le même sens que celui indiqué sur les commandes.
8. Inspectez régulièrement l'appareil de levage, remplacez les pièces endommagées ou usées et tenez un registre d'entretien approprié.
9. Utilisez les pièces recommandées par le fabricant du palan pour réparer l'appareil.
10. Lubrifier la chaîne de charge selon les recommandations du fabricant du palan.
11. **NE PAS** utiliser le dispositif de limitation de charge ou d'avertissement du palan pour mesurer la charge.
12. **NE PAS** utiliser les interrupteurs de fin de course comme des arrêts de fonctionnement de routine, sauf si le fabricant l'autorise. Il s'agit uniquement de dispositifs d'urgence.
13. **NE PAS** laisser votre attention se détourner de l'utilisation du palan.
14. **NE PAS** laisser le palan entrer en contact brutal avec d'autres palans, structures ou objets à la suite d'une mauvaise utilisation.
15. **NE PAS** régler ou réparer le palan à moins d'être qualifié pour effectuer de tels réglages ou réparations.

PRÉCAUTIONS DE SÉCURITÉ



Ce symbole signale des consignes de sécurité importantes qui, si elles ne sont pas respectées, peuvent mettre en danger la sécurité personnelle et/ou les biens de l'utilisateur et d'autres personnes.

Lisez et suivez toutes les instructions de ce manuel et de tout autre document fourni avec l'équipement avant d'essayer d'utiliser votre palan.

LA SÉCURITÉ DES PALANS DÉPEND DE VOUS...

AVERTISSEMENT

Ne pas soulever une charge supérieure à la charge nominale.

CHOISIR LE BON PALAN POUR LE TRAVAIL...

Choisissez un appareil de levage dont la capacité est adaptée au travail à effectuer. Connaissez les capacités de vos palans et le poids de vos charges. Ensuite, il faut les faire correspondre.

L'application, la taille et le type de charge, les accessoires à utiliser, la durée d'utilisation et la capacité des structures de soutien doivent également être pris en considération lors de la sélection du bon palan pour le travail à effectuer.

N'oubliez pas que le palan a été conçu pour alléger notre fardeau. L'imprudence ne met pas seulement en danger l'opérateur, mais aussi, dans de nombreux cas, une charge précieuse.

AVERTISSEMENT

Ne pas utiliser un palan endommagé ou qui ne fonctionne pas correctement.

Ne pas utiliser une chaîne tordue, pliée ou endommagée.

CONTRÔLER

Tous les palans doivent faire l'objet d'une inspection visuelle avant d'être utilisés, en plus des inspections de maintenance régulières et périodiques.

Inspecter les palans pour vérifier la lisibilité des avertissements relatifs aux opérations.

Les lacunes doivent être notées et portées à l'attention des superviseurs. Veillez à ce que les palans défectueux soient étiquetés et mis hors service jusqu'à ce que les réparations soient effectuées.

Vous ne devez en aucun cas utiliser un palan qui fonctionne mal.

Vérifier que les maillons ne sont pas entaillés, tordus ou déformés et qu'il n'y a pas de corps étrangers. Ne pas utiliser de palans dont les maillons de chaîne sont tordus, pliés ou endommagés.

La chaîne de charge doit être correctement lubrifiée.

Les crochets pliés, usés ou dont l'ouverture est plus grande que l'ouverture normale de la gorge ne doivent pas être utilisés. Si le verrou ne s'engage pas dans l'ouverture de la gorge du crochet, le palan doit être mis hors service.

Il convient de vérifier que les chaînes ne présentent pas de dépôts de matières étrangères susceptibles d'être entraînées dans le mécanisme du palan.

Vérifier que le frein ne glisse pas sous l'effet de la charge.

AVERTISSEMENT

Ne pas tirer en biais. Assurez-vous que le palan et la charge sont en ligne droite.

Ne pas utiliser la chaîne de charge comme élingue.

LEVAGE DE CHARGES DANGEREUSES

Ce palan n'est pas recommandé pour le levage ou le transport de charges ou de matériaux dangereux qui pourraient causer des dommages importants en cas de chute. Le levage de charges susceptibles d'exploser ou de créer une contamination chimique ou radioactive en cas de chute nécessite des dispositifs de soutien redondants à sécurité intégrée qui ne sont pas incorporés dans ce palan.

LEVAGE DE CHARGES GUIDÉES

SOULEVER CORRECTEMENT

Ne pas soulever les personnes à l'aide d'un palan.

Assurez-vous que tout le monde est à l'écart de la charge lorsque vous la soulevez.

Ne pas enlever ou masquer les avertissements opérationnels.

UTILISER CORRECTEMENT LE PALAN

Assurez-vous que le palan est solidement maintenu dans la partie supérieure de l'arc du crochet de support.

Assurez-vous que le palan et la charge sont en ligne droite. Ne pas tirer en biais.

Assurez-vous que la charge est bien accrochée. Ne pas faire basculer le crochet. Ne pas charger le crochet. Le crochet sert à empêcher le détachement de la charge en cas de relâchement de la chaîne uniquement.

Ne pas utiliser la chaîne de charge comme élingue. Une telle utilisation endommage la chaîne et le crochet inférieur.

Ne pas travailler avec la tête du palan appuyée contre un objet quelconque. Soulever la charge en douceur. Ne donnez pas d'à-coups.

AVERTISSEMENT

Ne pas soulever des personnes ou des charges au-dessus de personnes.

ENTRETENIR CORRECTEMENT

Nettoyage

Les palans doivent être maintenus propres et exempts de poussière, de saleté, d'humidité, etc., qui pourraient affecter de quelque manière que ce soit le fonctionnement ou la sécurité de l'équipement.

Lubrification

La chaîne doit être correctement lubrifiée.

Après les réparations

Faites fonctionner le palan avec précaution avant de le remettre en service.

Le non-respect de l'un des avertissements énumérés peut entraîner des blessures graves pour l'opérateur ou le personnel à proximité en raison de la libération de la charge ou de la rupture des composants de l'appareil de levage.

AVANT-PROPOS

Ce manuel contient des informations importantes pour vous aider à installer, utiliser et entretenir correctement votre palan afin d'en maximiser les performances, l'économie et la sécurité.

Veuillez étudier attentivement son contenu avant de mettre votre palan en service. En appliquant des procédures d'utilisation correctes et en suivant les conseils d'entretien préventif recommandés, vous bénéficierez d'un service sûr, fiable et de longue durée. Après vous être familiarisé avec le contenu de ce manuel, nous vous recommandons de le classer soigneusement pour pouvoir vous y référer ultérieurement.

Les informations contenues dans le présent document concernent l'installation, l'utilisation, l'entretien et la maintenance corrects du palan et ne constituent pas un manuel sur le thème général du gréement.

Le gréement peut être défini comme le processus de levage et de déplacement de charges lourdes à l'aide de palans et d'autres équipements mécaniques. Les compétences acquises par le biais d'une expérience et d'études spécialisées sont essentielles à la sécurité des opérations de gréement. Pour les informations relatives au gréement, nous recommandons de consulter un manuel standard sur le sujet.

TABLE DES MATIÈRES

PRÉCAUTIONS DE SÉCURITÉ	25	Tab. 17: Assemblage des freins.....	40
AVANT-PROPOS	27	Tab. 18: Dépannage.....	41
INFORMATIONS GÉNÉRALES	29	Tab. 19: Spécification de couple.....	43
Spécifications.....	29	Tab. 20: Liste des pièces.....	44
Communication sans fil.....	29		
Déclaration de conformité ISED.....	30		
INSTALLATION	31		
Informations sur le déballage.....	31		
Installation des piles.....	31		
Vérification du fonctionnement de l'interrupteur de fin de course.....	31		
Premier huilage de la chaîne.....	31		
MODE D'EMPLOI	31		
Général.....	31		
Palan.....	31		
Batteries et chargeurs.....	32		
Télécommande.....	32		
Télécommande Indicateurs et alertes D.E.L.....	33		
ONE-KEY™.....	34		
Clé de déconnexion électrique.....	34		
Instructions et procédures d'utilisation en toute sécurité.....	35		
L'INSPECTION	35		
Maintenance préventive.....	35		
Critères d'inspection de la suspension.....	35		
Critères d'enlèvement des crochets.....	36		
Inspection de la chaîne de chargement.....	37		
Dépose et pose de la chaîne de charge.....	38		
MAINTENANCE	39		
Limiteur de charge.....	39		
Lubrification du palan.....	39		
Finition extérieure.....	39		
Nettoyage et remplacement des freins.....	39		
DÉPANNAGE	41		
PROCÉDURE D'ABAISSEMENT MANUEL	42		
DONNÉES TECHNIQUES	43		
Spécification de couple.....	43		
PIÈCES ET SERVICES POUR PALANS	44		
Liste des pièces.....	44		
INSTRUCTIONS DE COMMANDE	45		
GARANTIE	46		
Limitation des garanties, des recours et des dommages....	46		

LISTE DES ILLUSTRATIONS

Fig. 1: Installation des piles de la télécommande.....	31
Fig. 2: Caractéristiques du palan.....	32
Fig. 3: Dos de la télécommande.....	33
Fig. 4: Indicateur ONE-KEY™.....	34
Fig. 5: Retenue de la goupille de suspension/vis de retenue.....	36
Fig. 6: Critères d'enlèvement des crochets.....	36
Fig. 7: Zones d'usure de la chaîne.....	37
Fig. 8: Dimensions de la chaîne.....	37
Fig. 9: Mesure de l'usure de la chaîne de charge.....	38
Fig. 10: Gaufrage de la chaîne.....	38
Fig. 11: Assemblage des freins.....	40
Fig. 12: Alignement des freins.....	40
Fig. 13: Procédure d'abaissement manuel.....	42
Fig. 14: Pièces du palan.....	44

LISTE DES TABLEAUX

Tab. 11: Communication sans fil.....	29
Tab. 12: Batteries et chargeurs.....	32
Tab. 13: Critères d'enlèvement des crochets.....	36
Tab. 14: Fréquence minimale des inspections.....	36
Tab. 15: Inspections périodiques minimales.....	37
Tab. 16: Dimensions de la chaîne.....	38

INFORMATIONS GÉNÉRALES

SPÉCIFICATIONS

Ce palan est très polyvalent qui peut être utilisé pour soulever des charges dans les limites de la capacité nominale. Les caractéristiques mécaniques de ces palans comprennent une roue de levage en acier allié, un limiteur de charge, un train d'engrenages en acier trempé, une lubrification à vie, un conteneur à chaîne standard, des crochets en acier forgé et un cadre en aluminium léger. Les caractéristiques électriques comprennent un moteur à courant continu sans balais alimenté par une batterie et doté d'un contrôle de vitesse variable et télécommande sans fil. Ce produit est destiné à un usage industriel et commercial.

Conditions de fonctionnement	
Température	0 °F - 104 °F (-18 °C - 40 °C)
Élévation	Max 3280 pi (1000 m)
Humidité relative	Max 95 %

Conditions de stockage	
Température	-4 °F - 140 °F (-20 °C - 60 °C)
Humidité relative	Max 95 %

COMMUNICATION SANS FIL

Tableau 11. Communication sans fil

Chat. Non	2980-20
ONE-KEY™ FCC ID	QQQ11
ONE-KEY™ IC	5123A-11
Cat. à distance Non.	192092302
Volts	3 V CC (1,5 V AA X2)
ID FCC	SQGBL654
IC	3147A-BL654

Risque de brûlure chimique. Tenir les piles hors de portée des enfants.



Commission fédérale des communications

Conformément à la partie 15.21 des règles de la FCC, vous êtes averti que les changements ou modifications non expressément approuvés par la partie responsable de la conformité peuvent annuler votre autorisation d'utiliser le produit.

Cet équipement a été testé et déclaré conforme aux limites d'un appareil numérique de classe B, conformément à la partie 15 des règles de la FCC. Ces limites sont conçues pour fournir une protection raisonnable contre les interférences nuisibles dans une installation résidentielle. Cet équipement génère, utilise et peut émettre des fréquences radio et, s'il n'est pas installé et utilisé conformément aux instructions, peut causer des interférences nuisibles aux communications radio. Cependant, il n'y a aucune garantie que des interférences ne se produiront pas dans une installation particulière. Si cet équipement provoque des interférences nuisibles à la réception radio ou télévision, ce qui peut être déterminé en allumant et en éteignant l'équipement, l'utilisateur est encouragé à essayer de corriger les interférences en prenant une ou plusieurs des mesures suivantes :

- Réorienter ou déplacer l'antenne de réception.
- Augmenter la distance entre l'équipement et le récepteur.
- Branchez l'appareil sur une prise de courant située sur un circuit différent de celui sur lequel le récepteur est branché.
- Consultez le revendeur ou un technicien radio/télévision expérimenté pour obtenir de l'aide.

DÉCLARATION DE CONFORMITÉ ISED

L'émetteur/récepteur exempt de licence contenu dans le présent appareil est conforme aux CNR d'Innovation, Sciences et Développement économique Canada applicables aux appareils radio exempts de licence. L'exploitation est autorisée aux deux conditions suivantes : (1) L'appareil ne doit pas produire de brouillage; (2) L'appareil doit accepter tout brouillage radioélectrique subi, même si le brouillage est susceptible d'en compromettre le fonctionnement.

Cet équipement est conforme aux limites d'exposition aux radiation IC CNR#102 établies pour un environnement non contrôlé. Cet émetteur ne doit pas être situé au même endroit ou fonctionner avec une autre antenne ou un autre émetteur.

**Produits certifiés pour
États-Unis et Canada**



802655



INSTALLATION

INFORMATIONS SUR LE DÉBALLAGE

Lors de sa réception, le palan doit être soigneusement inspecté pour vérifier qu'il n'a pas été endommagé pendant le transport ou la manutention. Vérifiez que le cadre du palan n'est pas bosselé ou fissuré, que la télécommande n'est pas coupée ou que le boîtier n'est pas endommagé, et que la chaîne de levage n'est pas entaillée ou creusée.

INSTALLATION DES PILES

ATTENTION

Assurez-vous que la porte de la batterie du palan est verrouillée et que le couvercle du compartiment de la batterie à distance est solidement fixé afin de maintenir une protection adéquate contre les infiltrations.

INSTALLATION DES PILES DE LA TÉLÉCOMMANDE



Figure 1. Installation des piles de la télécommande

1. Remettre en place le couvercle du logement des piles et serrer la vis de fixation.

INSTALLATION DE LA BATTERIE DU PALAN

VÉRIFICATION DU FONCTIONNEMENT DE L'INTERRUPTEUR DE FIN DE COURSE

Faire fonctionner le palan sur toute la longueur de sa course nominale, en vérifiant le bon fonctionnement des interrupteurs de fin de course supérieur et inférieur comme suit :

1. Appuyer sur le bouton directionnel UP de la télécommande et lever prudemment le crochet jusqu'à ce que l'interrupteur de fin de course supérieur arrête le mouvement vers le haut.
2. Appuyez sur le bouton directionnel DOWN de la télécommande et abaissez prudemment le crochet jusqu'à ce que l'interrupteur de fin de course inférieur arrête le mouvement vers le bas.

AVERTISSEMENT

Si le crochet ou la charge entre en contact avec le conteneur à chaîne/sac, l'ensemble conteneur à chaîne/sac risque d'être endommagé.

POUR ÉVITER LES BLESSURES :

Assurez-vous que le sac à chaîne n'est pas rempli à plus de 75 % lorsque le crochet est à la limite supérieure.

PREMIER HUILAGE DE LA CHAÎNE

AVERTISSEMENT

La chaîne de levage doit être soigneusement huilée avant d'être utilisée. Le non-respect de cette consigne peut entraîner une usure accélérée et une détérioration éventuelle du palan.

La chaîne de levage doit être lubrifiée avec de l'huile appropriée (cf. "Lubrification du palan", page 39) avant l'utilisation. Veiller à ce que l'huile atteigne toutes les zones de la chaîne, y compris la zone des maillons.

MODE D'EMPLOI

GÉNÉRAL

1. Le limiteur de charge est conçu pour glisser en cas de surcharge excessive. Une surcharge est indiquée lorsque le palan ne parvient pas à soulever la charge. En outre, un bruit d'embrayage peut se faire entendre si le palan est chargé au-delà de sa capacité nominale. Si cela se produit, relâchez immédiatement la commande (UP) pour arrêter le fonctionnement du palan. À ce stade, la charge doit être réduite à la capacité nominale du palan, ou le palan doit être remplacé par un de capacité appropriée. Lorsque la charge excessive est supprimée, le fonctionnement normal du palan est automatiquement rétabli.

ATTENTION

Le limiteur de charge est susceptible de surchauffer et de s'user lorsqu'il est utilisé pendant de longues périodes. L'embrayage ne doit en aucun cas patiner plus de quelques secondes.

2. Tous les palans sont équipés d'interrupteurs de fin de course, qui arrêtent automatiquement le crochet aux limites de déplacement de la chaîne.
3. Si le matériel manipulé doit être immergé dans l'eau, dans des bains de décapage, dans un liquide quelconque ou dans des matières solides poussiéreuses ou en vrac, utilisez une chaîne d'élingage suffisamment longue pour que le crochet soit toujours au-dessus de la surface. Les roulements du bloc de crochets ne sont protégés que contre les conditions atmosphériques ordinaires.

PALAN

1. Avant de prendre une charge, vérifiez que le palan se trouve directement au-dessus de la charge.

AVERTISSEMENT

La charge doit être placée directement sous le palan ou le chariot. Éviter toute charge décentrée.

- Avant de soulever la charge, rattrapez le mou de la chaîne de levage afin d'éviter toute secousse de la charge. S'il y a des signes de surcharge, abaissez immédiatement la charge et évaluez la situation.
- NE PAS** laisser la charge se balancer ou se tordre pendant le levage.
- NE PAS** laisser la charge s'appuyer sur le crochet.

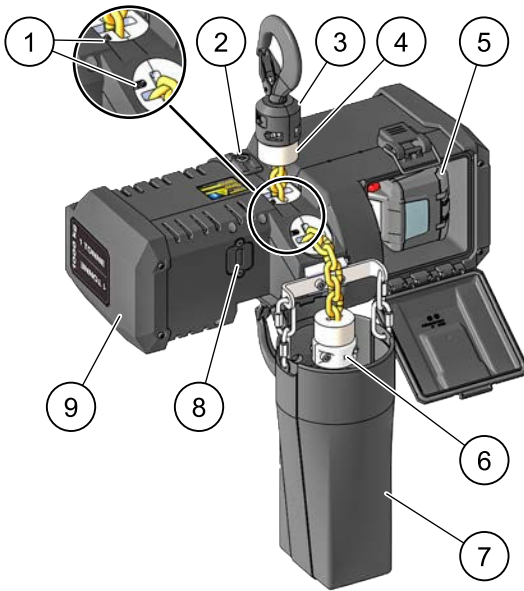


Figure 2. Caractéristiques du palan

- | | |
|----------------------------------|---|
| 1 Interrupteurs de fin de course | 6 Arrêt de la chaîne |
| 2 Capuchons de frein | 7 Sac à chaîne |
| 3 Crochet pivotant | 8 Porte de la batterie de pièces de monnaie |
| 4 Butoir de chaîne | 9 Embout de levage |
| 5 Compartiment à piles | |

BATTERIES ET CHARGEURS

- N'utilisez que des batteries et des chargeurs MILWAUKEE M18 avec ce palan.
 - Une batterie de 12,0 Ah est recommandée pour de meilleures performances.

Le tableau ci-dessous contient des estimations de la hauteur de levage pour différentes capacités de charge. Notez qu'il s'agit d'estimations et que les performances réelles dépendent de l'état de santé de la batterie.

Tableau 12. Batteries et chargeurs

Batterie	Charge-ment (Tonne)	Charge-ment (kg)	* Déplace-ment du crochet [pi]	* Déplace-ment du crochet [m]
12,0 Ah	1/4	250	480	146
	1/2	500	300	91
	3/4	750	220	67
	1	1000	180	55

* Estimation de la distance totale parcourue en cas de levage et d'abaissement égaux

TÉLÉCOMMANDE

Mise sous tension



Pour mettre la télécommande sous tension :

- Appuyez et relâchez le bouton d'alimentation (2).
Recherche de télécommande pour le palan :
 - L'indicateur D.E.L. d'alimentation (1) clignote vert de façon intermittente

La télécommande et le palan sont liés :

- L'indicateur D.E.L. d'alimentation (1) est vert fixe
- L'avertisseur sonore du palan retentit pendant 3 secondes

Erreur de connexion

- L'indicateur D.E.L. d'alimentation (1) clignote rapidement en vert pendant 4 secondes
- La télécommande s'éteint

Mise hors tension



Pour éteindre la télécommande :

- Appuyer sur le bouton d'alimentation (2) et le relâcher.
 - L'indicateur D.E.L. d'alimentation (1) s'éteint
 - La télécommande s'éteint
 - Le palan reste allumé et se met en veille après 30 minutes

Auto-OFF

5 minutes après la non-utilisation :

- La télécommande s'éteint

Soulever ou abaisser la charge du palan

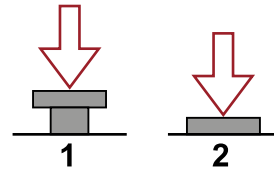


Pour soulever la charge du palan, appuyez sur le Button UP (4) directionnel et maintenez-le enfoncé.

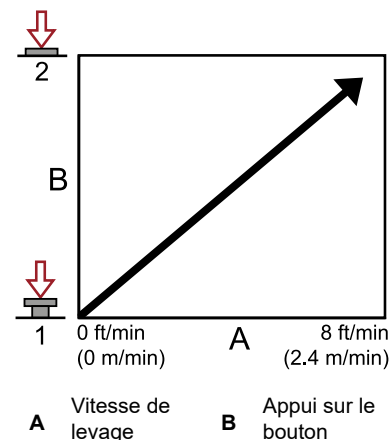


Pour abaisser la charge du palan, appuyez sur le bouton directionnel BAS (3) et maintenez-le enfoncé.

La pression sur le bouton est proportionnellement variable. La profondeur de la pression sur le bouton contrôle la vitesse du palan.



- 1 Non pressé 2 Entièrement pressé



Le palan à chaîne s'arrête lorsque le bouton de direction est relâché.

Si les deux boutons directionnels UP (4) et DOWN (3) sont enfoncés et maintenus simultanément, le palan s'arrête. Les deux boutons doivent être relâchés pour que le mouvement de la charge puisse continuer.

Arrêter



Pour activer Stop :

- Le palan reçoit un signal d'arrêt
- Le mouvement s'arrête immédiatement
- La télécommande s'éteint

Pour réinitialiser le Stop :

1. Pour remettre la télécommande sous tension, appuyez sur le bouton d'alimentation,
 - Liaisons de télécommande avec le palan
 - Reprise des fonctions normales

REMARQUE : Éteignez la télécommande à l'aide du bouton d'ARRÊT pour préserver la durée de vie de la pile de la télécommande.

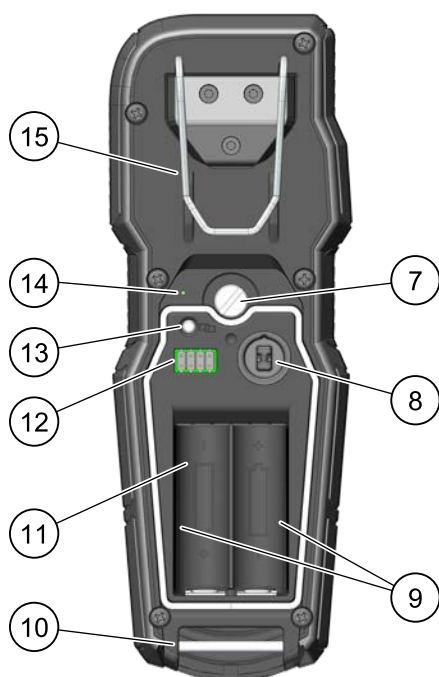


Figure 3. Dos de la télécommande

- | | | | |
|----|--|----|---------------------------------------|
| 7 | Fixation de la vis moletée | 12 | Port de diagnostic |
| 8 | Clé de déconnexion électrique amovible | 13 | Bouton et icône de pairage |
| 9 | Emplacement de l'étiquette (côtés du compartiment des piles) | 14 | Indicateur D.E.L. d'appairage/liaison |
| 10 | Charnière de porte et fixation de la lanière | 15 | Clip de ceinture |
| 11 | Chambre à piles AA | | |

REMARQUE : La télécommande est appariée au palan en usine. Si un nouvel appairage est nécessaire, suivez les étapes ci-dessous.



Appairage de la télécommande et du palan

1. Assurez-vous qu'une batterie est insérée dans l'appareil de levage souhaité.
2. Retirez les batteries de tous les autres palans de la zone pendant le processus d'appariement.
3. Appuyez sur le bouton d'appairage et maintenez-le enfoncé pendant 6 secondes.

Appairage réussi des palans et des télécommandes :

- L'indicateur D.E.L. d'appairage/liaison est vert fixe pendant 5 secondes et s'éteint
- L'indicateur D.E.L. d'alimentation est vert fixe pendant 5 secondes et s'éteint

Si l'appairage ne se fait pas au bout de 5 secondes :

- L'indicateur D.E.L. d'appairage/liaison clignote rapidement en vert pendant 1 minute
- L'indicateur D.E.L. d'alimentation clignote rapidement en vert pendant 1 minute
- La télécommande s'éteint

TÉLÉCOMMANDE INDICATEURS ET ALERTES D.E.L.

Indicateur D.E.L. d'alimentation

- Télécommande allumée et connectée à l'appareil de levage
 - L'indicateur est vert fixe

Pile faible dans la télécommande (environ 4 heures d'autonomie)

- L'indicateur clignote lentement en vert

Mode pairage/liaison

- L'indicateur clignote en vert de façon intermittente

L'appariement/la liaison n'a pas abouti

- L'indicateur clignote rapidement en vert pendant 1 minute

La télécommande est éteinte

- L'indicateur est éteint

Le palan passe en mode veille

- La télécommande s'éteint
- L'indicateur est éteint



Batterie faible (batterie de 12,0 Ah à 25 % de l'état de charge)

- L'indicateur clignote lentement en rouge

Batterie déchargée

- L'indicateur est rouge fixe
- Le palan ne fonctionne pas tant que la batterie n'est pas remplacée
- L'indicateur est rouge fixe
- Le palan ne fonctionne pas tant que la batterie n'a pas atteint la température normale de fonctionnement

Indicateur de surcapacité de poids



Le bouton directionnel UP (4) est actionné alors que la charge du palan est supérieure à la capacité de charge

- L'indicateur est rouge fixe
- L'avertisseur sonore du palan retentit

Indicateur de l'opérateur



Le palan est au-dessus ou au-dessous de la température de fonctionnement sûre

- L'indicateur est rouge fixe
- Le palan ne fonctionne pas tant que la température de fonctionnement ou les conditions correspondant aux spécifications du produit ne sont pas atteintes

Erreur de l'électronique du palan

- L'indicateur est rouge fixe
- Le palan ne fonctionne pas

Indicateur d'inspection



Si l'inspection de l'appareil de levage doit être effectuée sur la base d'un intervalle de 365 jours après la configuration initiale ONE-KEY™

- L'indicateur est rouge fixe
- Le palan fonctionne encore

L'inspection du palan doit être effectuée dans les 30 jours

- L'indicateur clignote lentement en rouge

Après inspection

- L'indicateur doit être effacé via l'application ONE-KEY™ lorsqu'il est connecté au palan

REMARQUE: L'indicateur d'inspection s'allume 365 jours après la configuration initiale de la ONE-KEY™, indiquant que l'inspection annuelle doit être effectuée. L'inspection annuelle est basée sur une utilisation normale. Pour les conditions normales de fonctionnement, cf. "L'inspection", page 35. Si le palan est utilisé dans des applications lourdes ou sévères, il peut être nécessaire d'effectuer des inspections plus fréquentes, qui peuvent être configurées via l'application ONE-KEY™.

Indicateur D.E.L. d'appairage/liaison (situé derrière le couvercle de la batterie)

- Mode pairage/liaison
 - L'indicateur clignote immédiatement en vert
- Réussir l'appariement/la mise en relation
- L'indicateur est vert fixe pendant 5 secondes
- Erreur d'appairage/de liaison
- L'indicateur clignote rapidement en vert pendant 1 minute

Indicateur de verrouillage de sécurité



Le palan est verrouillé via ONE-KEY™

- Tous les indicateurs d'alerte sont en rouge fixe
- Reportez-vous à la section ONE-KEY™ pour obtenir des instructions sur le déverrouillage de l'outil.

ONE-KEY™

⚠ AVERTISSEMENT



RISQUE DE BRÛLURE CHIMIQUE

Cet appareil contient une pile bouton/pile bouton au lithium. Une pile neuve ou usagée peut provoquer de graves brûlures internes et entraîner la mort en seulement 2 heures si elle est avalée ou pénètre dans le corps

POUR ÉVITER LES BLESSURES :

Fixez toujours le couvercle de la batterie. S'il ne se ferme pas correctement, cessez d'utiliser l'appareil, retirez les piles et tenez-le hors de portée des enfants. Si vous pensez que des piles ont pu être avalées ou pénétrer dans le corps, consultez immédiatement un médecin.

Batterie interne à pile bouton

Une batterie interne de type pièce de monnaie est utilisée pour faciliter la fonctionnalité ONE-KEY™.

Pour remplacer la pile bouton :

1. **ATTENTION!** Retirez la batterie de l'outil pour éviter de le mettre en marche.
2. Desserrez la ou les vis et ouvrez le couvercle du compartiment des piles.
3. Retirez la pile usagée, tenez-la hors de portée des enfants et mettez-la au rebut de manière appropriée.
4. Insérez la nouvelle pile (3V CR2032), le côté positif vers le haut.
5. Fermez le couvercle du compartiment à piles et serrez bien la/les vis.

ONE-KEY™

Pour en savoir plus sur la fonctionnalité ONE-KEY™ de cet outil, rendez-vous sur le site milwaukeeetool.com/One-Key. Pour télécharger l'application ONE-KEY™, rendez-vous sur l'AppStore® ou Google Play™ depuis votre appareil intelligent.

Indicateur ONE-KEY™	
Bleu uni	Le mode sans fil est actif et prêt à être configuré via l'appli ONE-KEY™.
Bleu clignotant	L'outil communique activement avec l'application ONE-KEY™.
Rouge clignotant	L'outil est en verrouillage de sécurité et peut être déverrouillé par le propriétaire via l'appli ONE-KEY™.

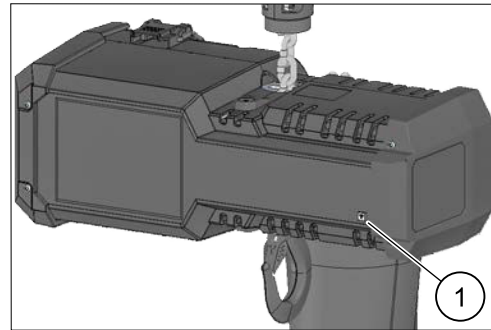


Figure 4. Indicateur ONE-KEY™

- 1 Indicateur ONE-KEY™

CLÉ DE DÉCONNEXION ÉLECTRIQUE

Télécommande verrouillable

Pour verrouiller la télécommande :

1. Retirez le couvercle du compartiment à batterie à l'aide de la vis moletée.
2. Tirez et retirez la clé de déconnexion électrique.
3. Veillez à ce que la clé de déconnexion électrique ne soit pas égarée.
 - Il est recommandé d'attacher un porte-clés à la clé de déconnexion électrique.

Télécommande de déverrouillage

Pour déverrouiller la télécommande :

1. Retirez le couvercle du compartiment à batterie à l'aide de la vis moletée.
2. Insérer la clé de déconnexion électrique dans son emplacement en veillant à l'aligner correctement.

⚠ ATTENTION

La clé de déconnexion électrique doit être retirée et rangée en lieu sûr lorsque le palan est laissé sans surveillance.

INSTRUCTIONS ET PROCÉDURES D'UTILISATION EN TOUTE SÉCURITÉ

Pour les précautions de sécurité et une liste des choses à faire et à ne pas faire pour utiliser les palans en toute sécurité, cf. page 25.

1. Ne confier l'utilisation de l'appareil qu'à du personnel compétent.
2. Lorsque vous vous préparez à soulever une charge, assurez-vous que les accessoires du crochet sont fermement fixés à la sellette du crochet. Éviter toute charge décentrée, quelle qu'elle soit, et en particulier la charge sur la pointe du crochet.
3. **NE PAS** laisser la charge s'appuyer sur le crochet. Le loquet permet de maintenir le crochet en position lorsque la chaîne est détendue avant de reprendre la chaîne détendue.

AVERTISSEMENT

Le fait de laisser la charge s'appuyer sur le linguet du crochet et/ou la pointe du crochet peut entraîner la perte de la charge.

POUR ÉVITER LES BLESSURES :

Ne pas laisser la charge et/ou les accessoires s'appuyer sur le linguet du crochet et/ou la pointe du crochet. Appliquer la charge uniquement à la cuvette du crochet ou à la selle.

4. **NE PAS** enrayer la chaîne de charge autour de la charge et l'accrocher à elle-même comme une chaîne d'étranglement.
Il en résultera :
 - La perte de l'effet de pivotement du crochet, qui peut entraîner une torsion de la chaîne et un blocage de la roue de levage.
 - L'interrupteur de fin de course supérieur est contourné et la charge peut heurter le palan.
 - La chaîne pourrait être endommagée au niveau du crochet.
5. Avant de soulever la charge, vérifiez que la chaîne de levage n'est pas vrillée.
6. Se tenir à l'écart de toutes les charges et éviter de déplacer une charge au-dessus de la tête d'autres personnes. Prévenez le personnel de votre intention de déplacer un chargement dans leur zone.
7. **NE PAS** laisser la charge suspendue en l'air sans surveillance.
8. **NE PAS** utiliser cet appareil ou tout autre appareil de manutention aérienne pour soulever des personnes.
9. **NE PAS** charger le palan au-delà de la capacité nominale indiquée sur la plaque d'identification.
10. Prévenez le personnel de votre intention de soulever une charge dans la zone. Attachez la charge à l'aide de chaînes ou de câbles auxiliaires avant de pouvoir accéder à la zone située sous la charge.
11. Reprenez une chaîne de charge détendue avec précaution et démarrez la charge facilement pour éviter les chocs et les secousses de la chaîne de charge du palan. S'il y a des signes de surcharge, abaissez immédiatement la charge et enlevez la charge excédentaire.
12. Lors du levage, ne soulevez la charge que pour dégager le sol ou le support, et vérifiez que les fixations du crochet et de la charge sont bien en place. Ne poursuivre le levage qu'après s'être assuré que la charge est libre de tout obstacle.
13. **NE PAS** laisser la charge osciller ou se tordre pendant le levage.
14. Ne jamais utiliser le palan en présence de matériaux ou de vapeurs inflammables. Les appareils électriques produisent des arcs ou des étincelles qui peuvent provoquer un incendie ou une explosion.
15. **RESTEZ VIGILANTS!** Faites attention à ce que vous faites et faites preuve de bon sens. N'utilisez pas le palan lorsque vous êtes fatigué, distrait ou sous l'influence de drogues, d'alcool ou de médicaments entraînant une perte de contrôle.

L'INSPECTION

Pour assurer un fonctionnement continu et satisfaisant, une procédure d'inspection régulière doit être mise en place afin de remplacer les pièces usées ou endommagées avant qu'elles ne deviennent dangereuses. Les intervalles d'inspection doivent être déterminés en fonction de l'application individuelle et du type de service auquel le palan sera soumis.

Le type de service auquel le palan est soumis peut être classé comme « normal », « lourd » ou « sévère ».

Service normal

Fonctionnement avec des charges réparties de manière aléatoire dans la limite de la charge nominale, ou avec des charges uniformes inférieures à 65 % de la charge nominale pendant 25 % du temps au maximum.

Service lourd

Implique l'utilisation de l'appareil de levage dans la limite de la charge nominale, ce qui dépasse le service normal.

Service sévère

Service normal ou intensif dans des conditions de fonctionnement anormales ou exposition constante aux éléments de la nature.

Deux catégories d'inspections - fréquentes et périodiques - doivent être effectuées.

Inspections fréquentes

Ces inspections sont des examens visuels effectués par l'opérateur ou d'autres personnes désignées. Il n'est pas nécessaire de tenir un registre de ces inspections. Les inspections fréquentes doivent être effectuées tous les mois pour un service normal, toutes les semaines ou tous les mois pour un service intensif, et tous les jours ou toutes les semaines pour un service sévère, et elles doivent comprendre les éléments énumérés, cf. "Tab. 14: Fréquence minimale des inspections", page 36.

Inspections périodiques

Ces inspections sont des inspections visuelles des conditions externes par une personne désignée. Les enregistrements des inspections périodiques doivent être conservés pour permettre une évaluation continue de l'état de l'appareil de levage.

Les inspections périodiques doivent être effectuées annuellement pour un service normal, semestriellement pour un service intensif et trimestriellement pour un service sévère, et elles doivent comprendre les éléments énumérés, cf. "Tab. 15: Inspections périodiques minimales", page 37.

ATTENTION

Toute déficience constatée lors des inspections doit être corrigée avant la remise en service de l'appareil de levage. En outre, les conditions extérieures peuvent faire apparaître la nécessité d'un démontage pour permettre une inspection plus détaillée, ce qui, à son tour, peut nécessiter l'utilisation d'essais non destructifs.

MAINTENANCE PRÉVENTIVE

En plus de la procédure d'inspection ci-dessus, un programme d'entretien préventif doit être mis en place pour prolonger la durée de vie utile du palan, maintenir sa fiabilité et continuer à l'utiliser en toute sécurité. Le programme doit comprendre des inspections périodiques et fréquentes, avec une attention particulière portée à la lubrification des différents composants à l'aide des lubrifiants recommandés.

CRITÈRES D'INSPECTION DE LA SUSPENSION

1. S'assurer que le support de l'axe de suspension (1) exempt de fissures et de défauts et que la vis est présente et bien serrée.

Si vous réinstallez la vis de fixation :

1. Veiller à ce que les fils soient propres et secs.
2. Appliquer du frein-filet de force moyenne sur la vis de retenue (2).



Figure 5. Retenue de la goupille de suspension/vis de retenue

- 1 Retenue de la goupille de suspension 2 Vis de retenue suspension

CRITÈRES D'ENLÈVEMENT DES CROCHETS

- a) Absence ou illisibilité de l'identification de la charge nominale, ou illisibilité de l'identification du fabricant du crochet, ou de l'identification du fabricant secondaire.
- b) Piqûres ou corrosion excessives.
- c) Fissures, entailles ou goujures.
- d) Usure - toute usure supérieure à 10 % de la dimension originale de la section du crochet ou de son axe de charge.

- e) Déformation - toute courbure ou torsion visiblement apparente par rapport au plan du crochet non plié.
- f) Ouverture de la gorge - toute distorsion entraînant une augmentation de l'ouverture de la gorge de 5 %, ne dépassant pas 1/4 po (6 mm).
- g) Incapacité de verrouillage - tout crochet autobloquant qui ne se verrouille pas.
- h) Loquet inopérant - tout loquet endommagé ou fonctionnant mal et ne fermant pas le goulot du crochet.
- i) Usure, détérioration ou corrosion du filetage.
- j) Preuve d'une exposition excessive à la chaleur ou d'un soudage non autorisé.
- k) Preuve d'altérations non autorisées telles que le perçage, l'usinage, le meulage ou d'autres modifications.

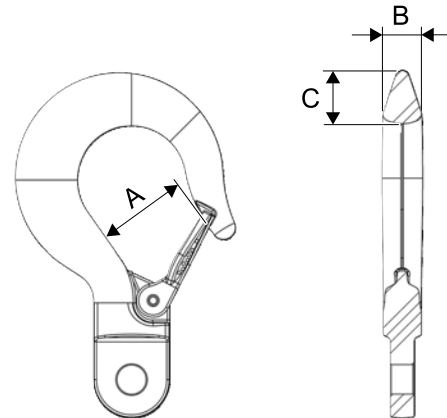


Figure 6. Critères d'enlèvement des crochets

Tableau 13. Critères d'enlèvement des crochets

Dimension du crochet	Critères (mm)	
A	Nominal : 38	Max : 39,9
B	Nominal : 15	Min : 13,5
C	Nominal : 22	Min : 19,8

Tableau 14. Fréquence minimale des inspections

Type de service			Objet
Normal	Lourd	Sévère	
Mensuel	D'hebdomadaire à mensuel	Quotidiennement à hebdomadairement	a) Freinez pour détecter tout signe de glissement ou de recul.
			b) Vérifier le bon fonctionnement des fonctions de contrôle.
			c) Les crochets ne sont pas endommagés, ne présentent pas de fissures, ne sont pas tordus et ne présentent pas d'ouverture excessive de la gorge, d'engagement et de fonctionnement de la serrure, cf. "Critères d'enlèvement des crochets", page 36.
			d) Charger la chaîne pour s'assurer qu'elle est bien lubrifiée et qu'elle ne présente pas de signes d'usure, de maillons endommagés ou de corps étrangers, cf. "Inspection de la chaîne de charge", page 37.
			e) Charger la chaîne pour s'assurer qu'elle est correctement enroulée et torsadée.

Tableau 15. Inspections périodiques minimales

Type de service			Objet
Normal	Lourd	Sévère	
Annuel	Tous les 6 mois	Tous les 3 mois	a) Tous les articles sont répertoriés pour des inspections fréquentes, cf. "Tab. 14: Fréquence minimale des inspections", page 36.
			b) Signes extérieurs de vis, de boulons ou d'écrous desserrés.
			c) Signes extérieurs d'usure, de corrosion, de fissure ou de déformation de la moufle, des vis de suspension, des engrenages, des roulements, de la moufle.
			d) Preuve externe de dommage à l'assemblage du crochet inférieur. Vérifier également la suspension supérieure en s'assurant que la vis de fixation est présente et bien serrée.
			e) Signes extérieurs d'endommagement ou d'usure excessive des poches de la roue de levage. L'élargissement et l'approfondissement des poches peuvent provoquer le soulèvement de la chaîne dans la poche et entraîner un grippage entre la roue de levage et les guides de chaîne. Vérifiez également que le guide-chaîne ne présente pas d'usure ou de bavures à l'endroit où la chaîne pénètre dans le palan. Les pièces fortement usées ou endommagées doivent être remplacées.
			f) Signes extérieurs d'usure excessive des pièces de freinage, cf. "Nettoyage et remplacement des freins", page 39.
			g) Vérifiez le fonctionnement de la télécommande en vous assurant que les boutons fonctionnent librement et ne se bloquent dans aucune position.
			h) Inspecter le boîtier de la télécommande pour vérifier que l'isolation n'est pas endommagée.
			i) Inspecter les composants de la suspension pour vérifier qu'ils ne sont pas endommagés, fissurés, usés et qu'ils fonctionnent correctement. Vérifier également la vis de maintien du crochet et s'assurer qu'elle est correctement serrée.
			j) Inspecter la butée de chaîne et le pare-chocs de l'extrémité libre. Remplacer les pièces usées ou déformées.
			k) Inspectez l'ergot de suspension ou le crochet pour vérifier qu'il n'y a pas de jeu excessif ou de rotation. Remplacer les pièces usées si elles présentent un jeu ou une rotation excessifs.
l) Vérifier qu'il n'y a pas de fuite de lubrifiant au niveau de la boîte de vitesses.			

INSPECTION DE LA CHAÎNE DE CHARGEMENT

La chaîne doit être inspectée à intervalles réguliers, au minimum une fois par an. Au fur et à mesure que la fréquence d'utilisation augmente, les intervalles entre les inspections doivent être réduits. Lors de l'inspection, le maillon de chaîne doit être examiné sur toute sa longueur, y compris les parties cachées. Si l'appareil de levage est fréquemment utilisé avec une distance de levage constante ou, en d'autres termes, si le passage de la montée à la descente s'effectue souvent dans la même zone, une inspection et une lubrification particulièrement approfondies sont nécessaires dans cette zone. Une chaîne usée peut également indiquer que des composants du palan sont usés. C'est pourquoi les guides de chaîne du palan, les mouffes à crochet et la roue de levage (pignon) doivent être examinés pour détecter toute usure et être remplacés si nécessaire lors du remplacement de la chaîne.

- Vérifier si la chaîne est sale ou mal lubrifiée, cf. "Lubrification du palan", page 39.
- Nettoyez la chaîne à l'aide d'un solvant non caustique/non acide et vérifiez maillon par maillon l'absence d'usure, de fissures, de torsion ou de déformation. Remplacer la chaîne qui présente l'un de ces défauts.
- Détendre la partie de la chaîne qui passe normalement au-dessus de la roue de levage (pignon). Examiner l'usure des maillons de la chaîne (cf. Fig. 7). Si le diamètre du fil à n'importe quel endroit du maillon est inférieur à 90 % du diamètre nominal du fil, remplacez la chaîne.

REMARQUE: Le pas nominal sur 11 maillons est de 8,25 pouces (209,5 mm). Cependant, la comparaison de la hauteur des sections usées avec les sections non usées est considérée comme une bonne pratique et recommandée par le fabricant.

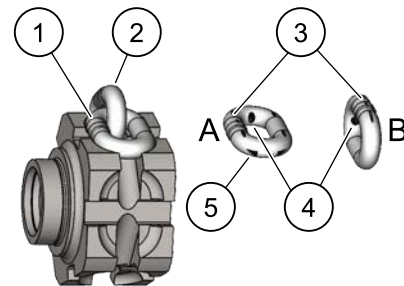


Figure 7. Zones d'usure de la chaîne

- | | |
|-------------------------------------|--|
| A Marques à plat | 3 Marques de guidage de la chaîne |
| B Marque de lien remarquable | 4 Marques d'interconnexion |
| 1 Lien plat | 5 Zones d'usure |
| 2 Lien remarquable | |

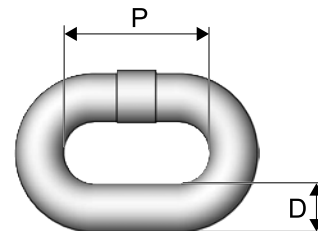


Figure 8. Dimensions de la chaîne

- | | |
|----------------------|----------------------------------|
| P Pas nominal | D Diamètre nominal du fil |
|----------------------|----------------------------------|

Tableau 16. Dimensions de la chaîne

P	D
0.750 po (19,05 mm)	0.250 po (6,3 mm)

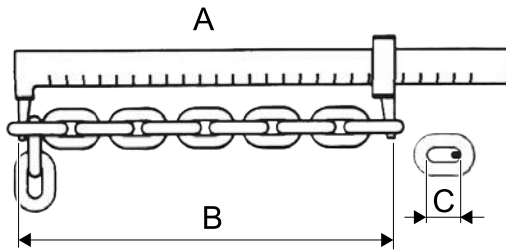


Figure 9. Mesure de l'usure de la chaîne de charge

- A Pied à coulisse C Un pas
 B Mesure 11 emplacements

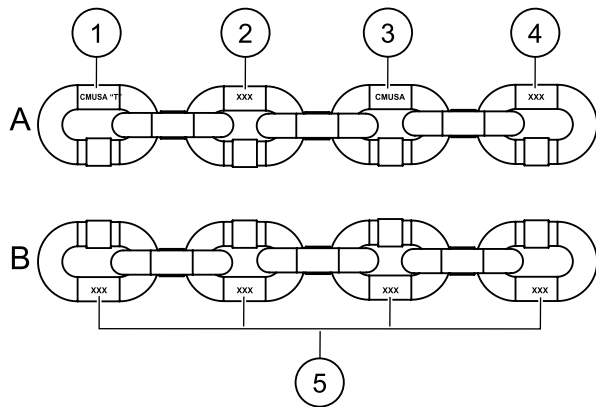


Figure 10. Gaufrage de la chaîne

- A Front 3 CMUSA
 B Retour 4 Code de traçage (3 chiffres)
 1 CMUSA « T » 5 Date julienne (3 chiffres)
 2 Numéro de l'horloge (3 chiffres)

N'utilisez que des chaînes de levage d'origine de classe T et des pièces de rechange d'origine du fabricant. L'utilisation d'autres chaînes et pièces peut être dangereuse et annule la garantie de l'usine.

REMARQUE: Ne pas utiliser la chaîne remplacée à d'autres fins telles que le levage ou la traction. La chaîne de charge peut se rompre soudainement sans déformation visuelle. C'est pourquoi il convient de couper la chaîne remplacée en petites longueurs afin d'éviter qu'elle ne soit utilisée après sa mise au rebut.

AVERTISSEMENT
L'utilisation de chaînes et de pièces commerciales ou d'autres fabricants pour réparer les palans peut entraîner une perte de charge.
<p>POUR ÉVITER LES BLESSURES :</p> <p>N'utilisez que des chaînes de chargement et des pièces de rechange fournies par le fabricant. Les chaînes et les pièces peuvent se ressembler, mais les chaînes et les pièces des fabricants sont fabriquées dans des matériaux spécifiques ou traitées pour obtenir des propriétés spécifiques.</p>

DÉPOSE ET POSE DE LA CHAÎNE DE CHARGE

AVERTISSEMENT
Une mauvaise installation (mouflage) de la chaîne de levage peut entraîner la chute de la charge.
<p>POUR ÉVITER LES BLESSURES/DOMMAGES :</p> <ul style="list-style-type: none"> • Vérifier l'utilisation d'une chaîne de levage de taille et de type appropriés pour le palan en question. • Installer correctement la chaîne de charge comme indiqué ci-dessous.

La première méthode est recommandée pour remplacer une chaîne de charge très usée et nécessite le démontage du palan. La deuxième méthode ne nécessite pas le démontage du palan.

REMARQUE: Lors du remplacement de la chaîne, il est essentiel que la chaîne soit orientée de manière à ce que les soudures des maillons supérieurs soient à l'EXTÉRIEUR de la roue de levage.

Méthode n° 1

- Retirez la batterie de l'appareil de levage.
- Détachez la butée de chaîne de l'extrémité libre et le crochet inférieur de la chaîne.
- Poursuivez le démontage du palan et inspectez la roue de levage, les guides de chaîne, le carter du moteur et le carter d'engrenage. Si l'un de ces composants est usé ou endommagé, la chaîne neuve risque de tomber en panne prématurément. Les pièces peuvent être facilement identifiées en accédant à la liste des pièces.
- Si les poches de la roue de levage, en particulier les extrémités, sont usées ou rayées, remplacez la roue de levage. Si les guides de chaîne et les carters sont usés, fissurés ou endommagés, ces pièces doivent également être remplacées.
- Remonter le palan avec la nouvelle chaîne de charge insérée sur la roue de levage. Positionner la chaîne de manière à ce que les maillons soudés soient éloignés de la roue de levage et laisser environ 0,3 m (1 pied) de chaîne libre du côté de l'extrémité libre.

REMARQUE: Pour simplifier la manipulation lors du remontage du palan, un court morceau non endommagé de l'ancienne chaîne peut être utilisé comme « chaîne de démarrage ». Positionnez ce morceau de chaîne de la même manière que celle expliquée ci-dessus pour la « nouvelle chaîne », et terminez le remontage du palan. Voir la méthode n° 2 ci-dessous pour plus de détails sur l'utilisation de la chaîne de démarrage.

- Réinstaller la butée de chaîne et le pare-chocs de l'extrémité libre.
- Fixer le bloc de crochets et le pare-chocs à la nouvelle chaîne de chargement.

Méthode n° 2

- Détachez la butée de chaîne de l'extrémité libre et le crochet inférieur de la chaîne.
- Traitez l'ancienne chaîne de levage du palan comme une « chaîne de démarrage » et utilisez le maillon d'extrémité libre comme maillon d'accouplement temporaire.
- Connecter la chaîne de démarrage du palan et la nouvelle chaîne de charge à installer. Veillez à ce que la nouvelle chaîne soit correctement orientée, les soudures étant tournées vers l'extérieur de la roue de levage.
- Sous tension, faire passer la nouvelle chaîne de charge par la zone de la roue de levage, en remplaçant la chaîne de départ dans l'unité. Passer suffisamment de chaîne pour fixer la butée de chaîne de l'extrémité libre.

- e) Réinstaller la butée de chaîne et le pare-chocs de l'extrémité libre.
- f) Fixer le bloc de crochets et le pare-chocs à la nouvelle chaîne de chargement.

MAINTENANCE

LIMITEUR DE CHARGE

Le limiteur de charge doit fonctionner pendant la durée de vie normale du palan sans entretien. L'appareil a été calibré en usine pour un modèle spécifique de palan.

AVERTISSEMENT

Les lubrifiants utilisés et recommandés pour le palan peuvent contenir des matières dangereuses qui nécessitent des procédures de manipulation et d'élimination spécifiques.

POUR ÉVITER TOUT CONTACT ET TOUTE CONTAMINATION :

Manipulez et éliminez les lubrifiants uniquement selon les instructions des fiches de données de sécurité applicables et conformément aux réglementations locales, nationales et fédérales en vigueur.

LUBRIFICATION DU PALAN

ENGRENAGES

REMARQUE : Pour garantir une durée de vie prolongée et des performances optimales, veillez à lubrifier les différentes pièces du palan à l'aide des lubrifiants spécifiés. Si vous le souhaitez, ces lubrifiants peuvent être achetés auprès du fabricant. Voir la liste des pièces en ligne pour les lubrifiants nécessaires.

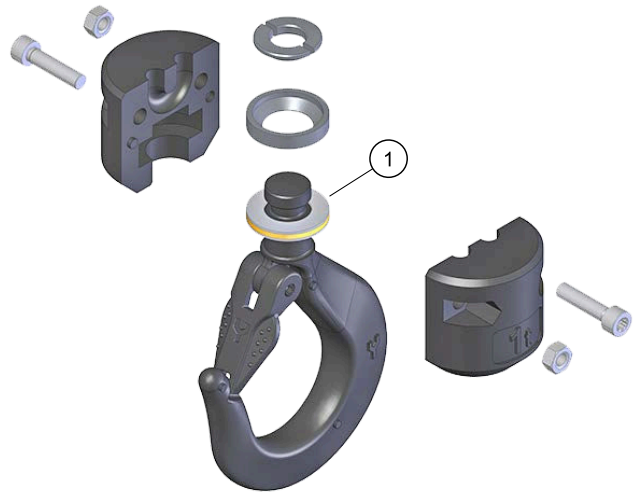
Le boîtier d'engrenages est rempli de graisse lors de l'assemblage et ne doit pas être remplacé, à moins que les engrenages n'aient été retirés du boîtier et dégraissés. **N'essayez pas de réparer ou d'entretenir le réducteur planétaire.**

Si les engrenages sont retirés du carter, essuyez l'excès de graisse avec un chiffon doux et dégraissez les engrenages et les carters. Lors du remontage, ajouter de la graisse aux engrenages et au carter.

- Type de graisse requis : Fuchs Lubricants Co. Stabyl HT 100 ou équivalent
- Volume de graisse requis : 1.5 fl.oz (44 ml)

PALIER

Tous les roulements et bagues, à l'exception de la butée inférieure du crochet, sont pré-lubrifiés et ne nécessitent aucune lubrification. Le palier de butée du crochet inférieur doit être lubrifié au moins une fois par mois avec de la graisse Dow Corning Molykote BR-2-5 ou équivalent. Appliquer une fine couche sur les deux faces du roulement. Ne pas laisser de graisse sur les filets des fixations.



1 Palier de butée

GUIDES DE CHAÎNE ET ROUE DE LEVAGE

Lorsque le palan est démonté à des fins d'inspection et/ou de réparation, les guides de chaîne et la roue de levage doivent être lubrifiés à l'aide de Lubriplate® Bar et Chain Oil 10-R (Fiske Brothers Refining Co.) ou d'un produit équivalent avant d'être remontés. Le lubrifiant doit être appliqué en quantité suffisante pour obtenir un écoulement naturel et une couverture complète de ces parties.

CHAÎNE DE CHARGEMENT

Une petite quantité de lubrifiant augmente considérablement la durée de vie de la chaîne de levage. Ne pas laisser la chaîne se dessécher.

Gardez la chaîne propre et lubrifiez-la à intervalles réguliers avec de l'huile Lubriplate Rock Drill Oil 10-R (Fiske Brothers Refining Co.), de l'huile Citgo Rock Drill Oil 46, ou un produit équivalent. Normalement, une lubrification et un nettoyage hebdomadaires sont satisfaisants, mais dans des conditions de chaleur et de saleté, il peut être nécessaire de nettoyer la chaîne au moins une fois par jour et de la lubrifier plusieurs fois entre les nettoyages.

Lors de la lubrification de la chaîne, appliquez suffisamment de lubrifiant pour obtenir un écoulement naturel et une couverture complète, en particulier dans la zone des maillons.

AVERTISSEMENT

Les huiles moteur usagées contiennent des substances cancérigènes connues.

POUR ÉVITER LES PROBLÈMES DE SANTÉ :

Ne jamais utiliser d'huile moteur usagée comme lubrifiant de chaîne.

N'utilisez que le lubrifiant recommandé pour la chaîne de levage.

FINITION EXTÉRIEURE

Les surfaces extérieures de ce palan sont faites d'un polymère durable qui ne nécessite aucun entretien. Les surfaces extérieures peuvent être nettoyées à l'aide d'un chiffon.

NETTOYAGE ET REMPLACEMENT DES FREINS

NETTOYAGE DES FREINS

Pour éviter l'accumulation excessive de poussière de frein, suivez la procédure ci-dessous toutes les 20 heures de fonctionnement.

Retirez les capuchons anti-poussière du boîtier extérieur et utilisez un aspirateur approprié pour éliminer l'excès de poussière de frein.

REMARQUE : Utilisez un dispositif de dépoussiérage approprié avec un filtre HEPA au minimum et un EPI approprié pour éviter l'exposition aux particules de poussière.

RÉGLAGE/REPLACEMENT DES FREINS

Le frein du palan peut nécessiter un réglage périodique pendant la durée de vie de l'appareil. La distance sur laquelle la charge dérive vers le bas immédiatement après le levage est appelée « rollback ». Si le recul lors du levage de la charge nominale dépasse deux pouces, un réglage du frein est nécessaire. Un technicien qualifié peut suivre les étapes ci-dessous pour démonter et régler l'ensemble des freins afin de rétablir les performances.

Démonter l'unité pour accéder aux composants du frein. Reportez-vous à la section Fig. 11 ci-dessous, et retirez le circlip et l'entraîneur du moyeu de frein. Pour le réglage, serrer à la main le moyeu du frein pour que tous les composants soient bien en place. Réinstallez l'entraîneur de moyeu en vous assurant que le pointeur de l'entraîneur de moyeu se trouve à l'intérieur de la zone d'alignement, comme indiqué ci-dessous en Fig. 12. Le moyeu du frein doit rester serré pendant le processus d'alignement afin d'assurer une orientation correcte.

Pour le remplacement, retirez toutes les pièces de frein existantes indiquées dans le tableau ci-dessous Fig. 11. Assurez-vous que toutes les pièces sont propres et que les quatre ressorts sont installés dans le cadre lors du remontage. Appliquez soigneusement une fine couche de graisse Molykote® 41 pour températures extrêmes sur le filetage du moyeu de frein (point 5). Veillez à ce qu'aucune graisse n'entre en contact avec les surfaces de frottement. Suivez la procédure de réglage des freins décrite ci-dessus après avoir installé les autres pièces de frein.

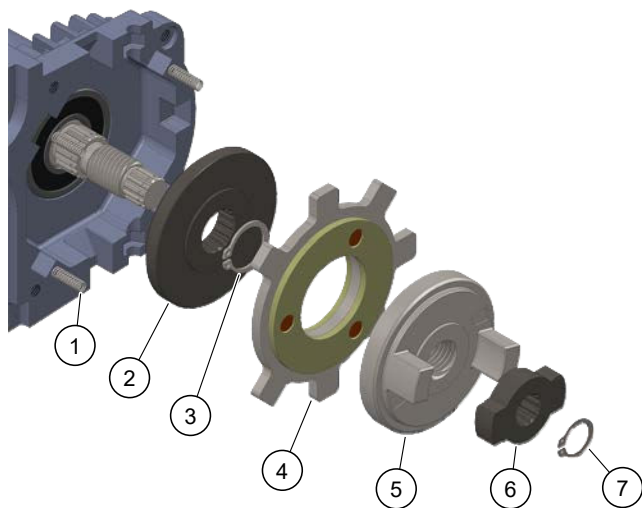


Figure 11. Assemblage des freins

Tableau 17. Assemblage des freins

ITEM NO.	DESCRIPTION	QTÉ.
1	RESSORT DE FREIN	4
2	DISQUE DE CONTRE-POINT	1
3	BAGUE DE RETENUE - 19x 1,2	1
4	LOCK DISC	1
5	MOYEU DE FREIN	1
6	LECTEUR DE MOYEU	1
7	BAGUE DE RETENUE - 14x1	1

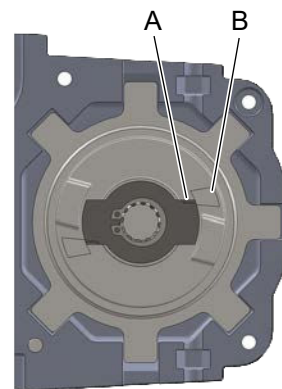


Figure 12. Alignement des freins

- A Pointeur du conducteur de frein B Zone d'alignement frein

DÉPANNAGE

Tableau 18. Dépannage

Problèmes	Cause probable	Remède
Le crochet ne répond pas à la télécommande.	Tension de la batterie de levage faible ou inexistante	Vérifier « l'indicateur de batterie M18 » sur la télécommande
	Tension de la batterie de la télécommande faible ou inexistante	Vérifier/remplacer les piles de la télécommande
	La télécommande n'est pas connectée au palan	Appuyez sur le bouton d'alimentation pour connecter la télécommande à son dispositif de levage
	Les limites supérieures ou inférieures ont arrêté le mouvement du palan	Il s'agit d'une opération attendue
	Charge excessive	Vérifiez l'indicateur de surcapacité de poids sur la télécommande
	Connexions desserrées dans le palan	Inspecter les connexions
Le crochet se déplace dans la mauvaise direction.	La télécommande est tenue à l'envers	
Le crochet s'abaisse, mais ne se relève pas	Charge excessive (limiteur de charge actif)	Vérifiez l'indicateur de surcapacité de poids sur la télécommande
	Nœud de chaîne	Démêler la chaîne
	La position limite supérieure a été atteinte	Il s'agit d'une opération attendue
	Circuit de levage ouvert - ouvert; contacts de la télécommande défectueux	Remplacer la télécommande
Le crochet se lève, mais ne s'abaisse pas	Circuit de levage ouvert - ouvert; contacts de la télécommande défectueux	Remplacer la télécommande
	Nœud de chaîne	Démêler la chaîne
	La position limite inférieure a été atteinte	Il s'agit d'une opération attendue
Le crochet s'abaisse lorsque la commande de levage n'est pas actionnée	Charge excessive appliquée de l'extérieur	S'assurer que la charge du palan est connue et inférieure à la capacité nominale
	Le frein est en fin de vie	Inspecter et remplacer les freins
Le crochet ne s'arrête pas rapidement	Patinage des freins dû à la contamination	Ouvrir les capots d'inspection et vérifier la présence de fluides, etc.
	Le frein est en fin de vie	Vérifier le déplacement de la charge après l'arrêt du levage
Le palan fonctionne lentement	Charge excessive	Vérifiez l'indicateur de surcapacité de poids sur la télécommande
	Traînement des freins	Inspecter et régler le frein
	Chaîne de charge usée	Vérifier l'usure de la chaîne
L'indicateur de l'opérateur s'allume	Charge excessive	Vérifiez l'indicateur de surcapacité de poids sur la télécommande
	Le rapport entre le temps de marche à vide et le temps de fonctionnement est inférieur à 4 (dépassement de la valeur nominale du cycle de fonctionnement de 20 %)	Augmenter le temps d'inactivité
	Le palan est utilisé en continu pendant plus de 7,5 minutes (dépassement de la capacité de courte durée)	Réduire le temps de fonctionnement continu (à partir de l'état froid) à 7,5 minutes ou moins
Le crochet ne s'arrête pas à l'une ou l'autre ou aux deux extrémités de la course	Composants manquants, desserrés ou endommagés	Contrôler
Le point d'arrêt du crochet varie	Composants manquants, desserrés ou endommagés	Contrôler
	Le frein ne tient pas	Inspecter le frein

PROCÉDURE D'ABAISEMENT MANUEL

Le palan peut être actionné manuellement à l'aide d'une perceuse électrique et d'une douille SAE 3/16 po.

1. Retirez le capuchon d'extrémité du palan (1) du côté du moteur du palan en retirant les quatre vis (2) comme indiqué ci-dessous.
2. Retirer le couvercle de l'arbre moteur (3) maintenu par les deux vis (4).
3. Utilisez une perceuse et une douille pour faire tourner l'arbre du moteur (5) dans le sens inverse des aiguilles d'une montre pour abaisser la charge, ou dans le sens des aiguilles d'une montre pour l'élever.
4. Remettre en place le couvercle de l'arbre moteur (3) et le capuchon d'extrémité du palan (1).

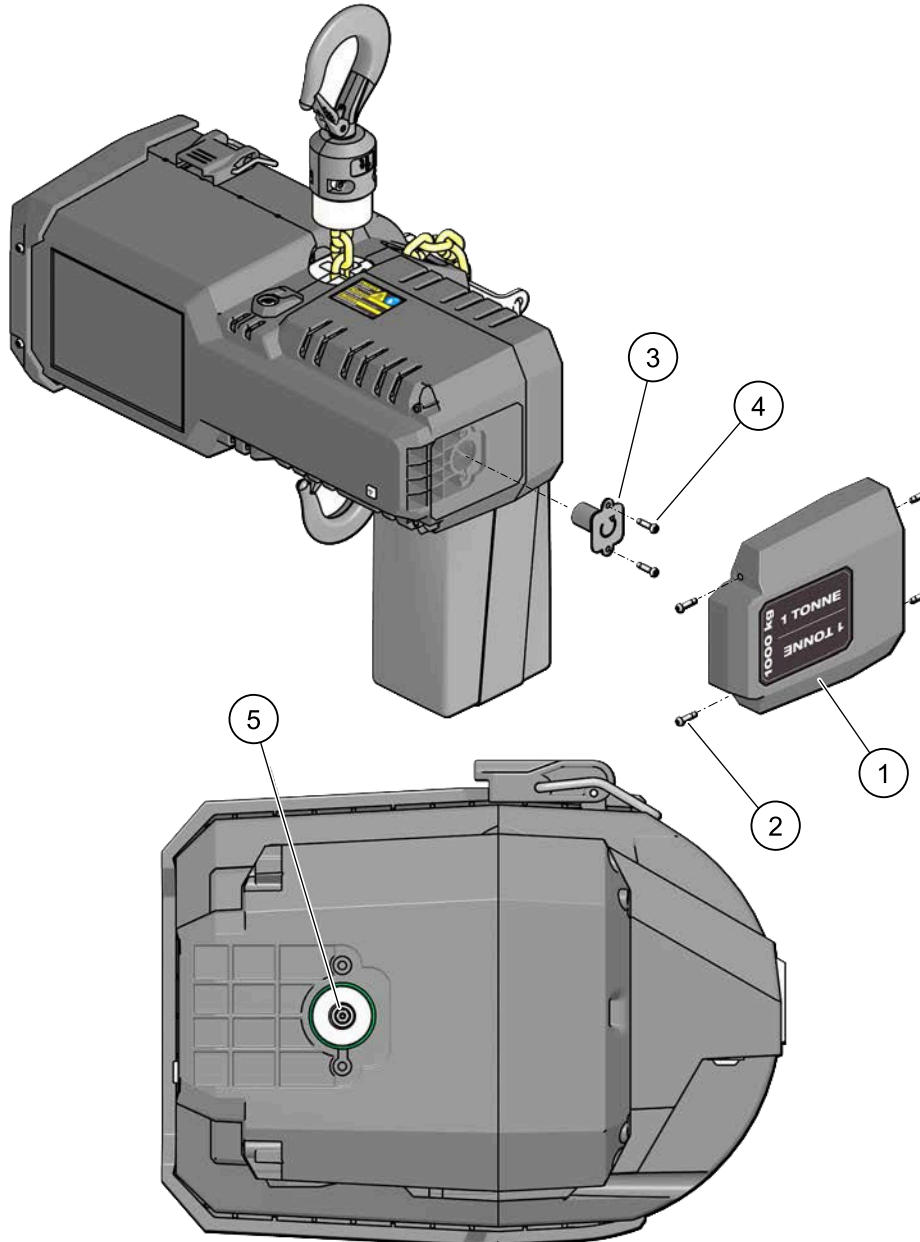


Figure 13. Procédure d'abaissement manuel

DONNÉES TECHNIQUES

SPÉCIFICATION DE COUPLE

Tableau 19. Spécification de couple

Attache	Description de l'attache	Outil nécessaire	* Couple de serrage recommandé	
			po-lb	Nm
Vis du boîtier central	Vis à tête cylindrique TORX M6	T30 TORX Driver	89	10
Boulon de suspension Vis	Vis à tête TORX M4	T20 TORX Driver	30	3,5
Vis de blocage du crochet inférieur	Vis à tête cylindrique TORX M6	T30 TORX Driver	89	10
Arrêt de la chaîne	Vis à tête cylindrique TORX M6	T30 TORX Driver	89	10
Support de sac à chaîne	Vis à tête cylindrique TORX M6	T30 TORX Driver	89	10
Capuchons de frein	Vis à tête ronde TORX M6	T30 TORX Driver	89	10
Vis du boîtier en plastique	Vis à tête TORX M4	T20 TORX Driver	17	2
Pare-chocs de l'embout du palan	Vis à tête TORX M4	T20 TORX Driver	7	1
Couvercle de l'arbre moteur	Vis à tête TORX M4	T20 TORX Driver	7	1
Couvercle du compartiment des piles	Vis à tête TORX M4	T20 TORX Driver	9	1

* Toutes les valeurs de couple s'appliquent à des fixations propres et sèches avec un frein-filet pré-appliqué.
NE PAS appliquer d'huile ou tout autre lubrifiant sur les filets de la fixation.
La valeur du couple doit être réduite de 20 % lors de l'application d'un frein filet liquide.



Suivez toutes les instructions et tous les avertissements relatifs à l'inspection, à l'entretien et à l'utilisation de ce palan.

PIÈCES ET SERVICES POUR PALANS

Liste des pièces

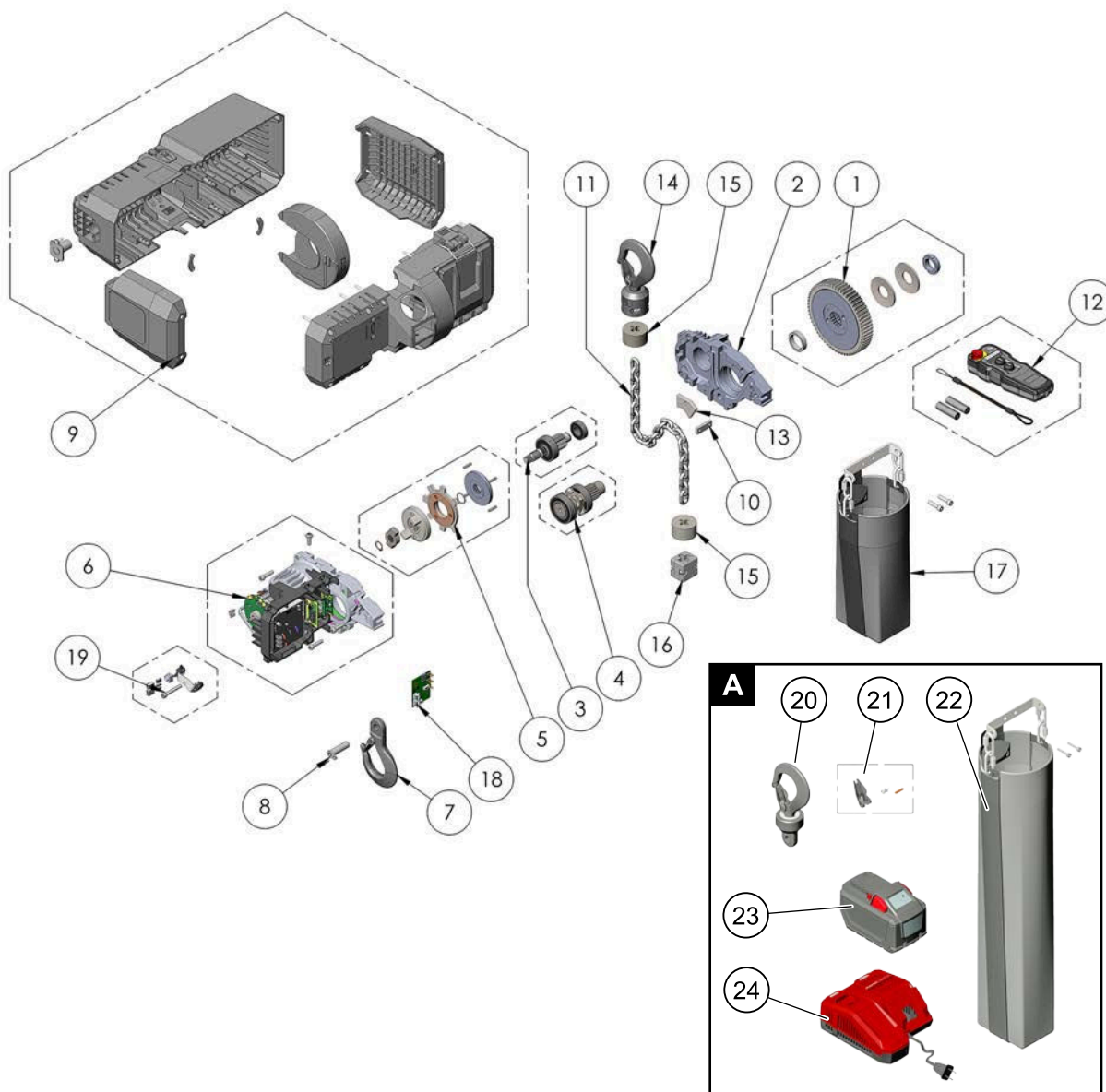


Figure 14. Pièces du palan

Tableau 20. Liste des pièces

ITEM NO.	No DE PIÈCE	DESCRIPTION	QTÉ.
1	192098915	TROUSSE D'EMBRAYAGE	1
2	192087948	BOÎTIER CENTRAL CÔTÉ ENGRENAGE	1
3	192098916	TROUSSE DRIVESHAFT	1
4	192098918	TROUSSE DE ROUE DE LEVAGE	1
5	192098917	TROUSSE DE PIÈCES DE FREIN	1
6	192098913	TROUSSE D'ASSEMBLAGE CÔTÉ MOTEUR	1
7	192087967	ASSEMBLAGE DU CROCHET SUPÉRIEUR	1
8	192098905	TROUSSE DE BROCHES DE CROCHET	1
9	192098903	TROUSSE PLASTIQUE	1
10	192094186	ÉCROU COULISSANT	1

ITEM NO.	No DE PIÈCE	DESCRIPTION	QTÉ.
11	636224	CHAÎNE DE CHARGE 0,250 T GRADE	21
12	192098906	TROUSSE DE TÉLÉCOMMANDE	1
13	192087964	CHAÎNE D'ENTRAÎNEMENT	1
14	192089989	ASSEMBLAGE DU BLOC INFÉRIEUR	1
15	192089493	BUTOIR DE CHAÎNE	2
16	192091312	TROUSSE D'ARRÊT DE CHAÎNE	1
17	192098908	TROUSSE DE SAC À CHAÎNE, 11	1
18	192098912	TROUSSE PCB HOIST	1
19	192098918	TROUSSE D'INTERRUPTEUR DE FIN DE COURSE	1
PIÈCES OPTIONNELLES A			
20	192095276	CROCHET PIVOTANT	1
21	00400450	TROUSSE DE VERROUILLAGE 1 TONNE	1
22	192098911	TROUSSE DE SAC À CHAÎNE, 23	1
23	192098605	M18 FUEL 12 AH - BATTERIE	1
24	192098607	CHARGEUR RAPIDE M18	1

LES PIÈCES DÉTACHÉES POUR VOTRE PALAN SONT DISPONIBLES
AUPRÈS DE VOTRE STATION DE RÉPARATION AGRÉÉE LOCALE.
POUR CONNAÎTRE LE NOM DU CENTRE DE PIÈCES DÉTACHÉES
OU D'ENTRETIEN LE PLUS PROCHE, VISITEZ NOTRE SITE WEB
www.cmco.com

INSTRUCTIONS DE COMMANDE

Les informations suivantes doivent accompagner toute demande de pièces de rechange par correspondance :

- Modèle du palan et numéros de série figurant sur l'étiquette d'identification du produit.

REMARQUE : Lors de la commande de pièces de rechange, il est recommandé de tenir compte de la nécessité de commander également des articles tels que des joints, des vis et des sangles, etc. Ces articles peuvent être endommagés ou perdus lors du démontage, ou tout simplement impropres à une utilisation future en raison de leur détérioration due à l'âge ou à l'entretien

GARANTIE

LIMITATION DES GARANTIES, DES RECOURS ET DES DOMMAGES

Indemnisation et sécurité d'utilisation

L'acheteur se conformera et exigera de ses employés qu'ils se conforment aux directives énoncées dans les instructions et les manuels fournis par le vendeur et utilisera et exigera de ses employés qu'ils suivent ces instructions et ces manuels et qu'ils fassent preuve d'un soin raisonnable dans l'utilisation et l'entretien des biens et de toutes les pièces de rechange. L'acheteur ne doit pas enlever ou permettre à quiconque d'enlever des panneaux d'avertissement ou d'instruction sur les produits ou les pièces de rechange. En cas de dommages corporels, matériels ou commerciaux résultant de l'utilisation des marchandises ou des pièces de rechange, l'acheteur doit, dans les 48 heures qui suivent, en informer le vendeur par écrit. L'acheteur doit coopérer avec le vendeur dans l'enquête sur ces blessures ou dommages et dans la défense de toute réclamation qui en découle.

Si l'acheteur ne se conforme pas à cette section ou si une blessure ou un dommage est causé, en tout ou en partie, par le non-respect par l'acheteur des lois, règles ou réglementations fédérales ou étatiques applicables en matière de sécurité, l'acheteur indemnifiera et dégagera le vendeur de toute responsabilité en cas de réclamation, de perte ou de dépense pour une blessure ou un dommage résultant de l'utilisation des biens et/ou des pièces de rechange.

AVERTISSEMENT

Les altérations ou modifications de l'équipement et l'utilisation de pièces de rechange non vendues par le vendeur peuvent entraîner un fonctionnement dangereux et des blessures.

POUR ÉVITER LES BLESSURES :

- Ne pas altérer ou modifier l'équipement.
- N'utilisez que des pièces de rechange fabriquées par le vendeur.

MANUAL DE INSTALACIÓN, OPERACIÓN Y MANTENIMIENTO

POLIPASTO ELÉCTRICO DE
CADENA A BATERÍA CON
VELOCIDAD VARIABLE



BATTERYSTAR™

BATTERY POWERED CHAIN HOIST

Rellene la información de abajo antes de instalar el polipasto

Model Number _____
Serial No. _____
Purchase Date _____
Voltage _____ 18 VDC _____
Rated Load _____ 1 Tonne (2204 lbs) (1000 kg) _____



ADVERTENCIA

Siga todas las instrucciones y advertencias para la inspección, mantenimiento y operación de este polipasto.

El uso de cualquier polipasto conlleva cierto riesgo de lesiones personales o daños materiales. Ese riesgo aumenta considerablemente si no se siguen las instrucciones y advertencias adecuadas. Antes de usar este polipasto, cada operario debe conocer bien todas las advertencias, instrucciones y recomendaciones de este manual. **Conserve este manual para consulta y uso futuros.**

Entregue este manual al operario. Si el equipo no se usa de acuerdo con las instrucciones del manual, puede causar lesiones.



ADVERTENCIA

La operación incorrecta de un polipasto puede crear una situación potencialmente peligrosa que, si **NO** se evita, podría causar la muerte o lesiones graves. Para evitar tal situación potencialmente peligrosa, el operador deberá observar lo siguiente:

1. **NO** use un polipasto dañado, que funcione mal o que tenga un rendimiento inusual.
2. **NO** use el polipasto si no ha leído y entendido completamente este Manual de instalación, operación y mantenimiento.
3. **NO** use un polipasto que haya sido modificado.
4. **NO** eleve más carga de la especificada para el polipasto.
5. **NO** use el polipasto con la cadena de carga torcida, doblada, dañada o desgastada.
6. **NO** use el polipasto para elevar, sostener ni transportar personas.
7. **NO** eleve cargas por encima de personas.
8. **NO** use un polipasto si hay alguna persona cerca de la carga suspendida.
9. **NO** use el polipasto si la carga no está centrada debajo del polipasto.
10. **NO** intente alargar la cadena de carga ni reparar una cadena de carga dañada.
11. Proteja la cadena de carga del polipasto de salpicaduras de soldadura u otros contaminantes dañinos.
12. **NO** use el polipasto si no se puede formar una línea recta de gancho a gancho en la dirección de carga.
13. **NO** use la cadena de carga como eslinga, ni enrolle la cadena de carga alrededor de la carga.
14. **NO** coloque la carga en la punta del gancho ni en el pestillo del gancho.
15. **NO** coloque la carga hasta que la cadena de carga esté correctamente asentada en la(s) rueda(s) de cadena o piñón(es).
16. **NO** coloque carga si el rodamiento impide una carga igual en todas las cadenas de soporte de carga.
17. **NO** use el polipasto más allá de los límites del recorrido de la cadena de carga.
18. **NO** deje la carga suspendida por el polipasto sin vigilancia a menos que se hayan tomado precauciones específicas.
19. **NO** deje que la cadena de carga o el gancho se usen como tierra eléctrica o de soldadura.
20. **NO** deje que la cadena de carga o el gancho hagan contacto con un electrodo de soldadura bajo tensión.
21. **NO** retire ni oculte las advertencias indicadas en el polipasto.
22. **NO** use un polipasto que no tenga los carteles o las pegatinas de seguridad o sean ilegibles.
23. **NO** use un polipasto si no está bien sujeto a un soporte adecuado.
24. **NO** use un polipasto si las eslingas u otros accesorios individuales aprobados no son del tamaño adecuado y no están asentados en la silla del gancho.
25. Recoja la cadena floja con cuidado: asegúrese de que la carga esté equilibrada y sujeta de forma segura antes de continuar.
26. Detenga un polipasto que funcione mal o tenga un rendimiento inusual e informe la avería.
27. Asegúrese de que los interruptores de fin de carrera del polipasto funcionan correctamente.
28. Avise al personal de que se aproxima una carga.

ATENCIÓN

La operación incorrecta de un polipasto puede crear una situación potencialmente peligrosa que, si **NO** se evita, podría causar lesiones moderadas o leves. Para evitar tal situación potencialmente peligrosa, el operador deberá observar lo siguiente:

1. Mantenga los pies firmes o asegúrese de otra forma cuando use el polipasto.
2. Compruebe el funcionamiento del freno tensando el polipasto antes de cada operación de elevación.
3. Use pestillos de gancho. Los pestillos son para retener eslingas, cadenas, etc. solo en condiciones de holgura.
4. Asegúrese de que los pestillos del gancho estén cerrados y no soporten ninguna parte de la carga.
5. Asegúrese de que la carga pueda moverse libremente y no haya ningún obstáculo en su recorrido.
6. Evite la carga o el gancho penduleen.
7. Asegúrese de que el gancho se desplace en la misma dirección que la indicada en los mandos.
8. Inspeccione el polipasto regularmente, sustituya las piezas dañadas o desgastadas y lleve un registro adecuado del mantenimiento.
9. Use las piezas recomendadas por el fabricante del polipasto cuando repare la unidad.
10. Lubrique la cadena de carga según las recomendaciones del fabricante del polipasto.
11. **NO** use el limitador de carga del polipasto ni el avisador para medir la carga.
12. **NO** use los interruptores de fin de carrera como topes de funcionamiento rutinario a menos que lo permita el fabricante. Estos son solo dispositivos de emergencia.
13. **NO** deje que su atención se desvíe de la operación del polipasto.
14. **NO** deje que el polipasto tenga contacto brusco con otros polipastos, estructuras u objetos por mal uso.
15. **NO** ajuste ni repare el polipasto a menos que esté calificado para realizar tales ajustes o reparaciones.

PRECAUCIONES DE SEGURIDAD



Este símbolo indica instrucciones de seguridad importantes que, de no seguirse, podrían poner en peligro su seguridad personal y/o sus bienes y los de otras personas.

Lea y siga todas las instrucciones de este manual y las que acompañan al equipo antes de intentar usar su polipasto.

LA SEGURIDAD DEL POLIPASTO DEPENDE DE USTED...

ADVERTENCIA

No eleve más carga de la especificada.

ELIJA EL POLIPASTO ADECUADO PARA EL TRABAJO...

Elija el polipasto con la capacidad adecuada para el trabajo... Conozca las capacidades de sus polipastos y el peso de sus cargas. Ambas deberán corresponderse.

La aplicación, el tamaño y el tipo de carga, los accesorios a utilizar, el periodo de uso y la capacidad de las estructuras de soporte también deben tenerse en cuenta a la hora de seleccionar el polipasto adecuado para el trabajo.

Recuerde que el polipasto fue diseñado para aliviar nuestra carga. Un descuido no solo pone en peligro al operario, sino también, en muchos casos, una carga valiosa.

ADVERTENCIA

No use polipastos dañados o que no funcionen correctamente.

No use el polipasto con la cadena torcida, doblada o dañada.

INSPECCIÓN

Además de las inspecciones periódicas de mantenimiento, se debe hacer una inspección visual de todos los polipastos antes de su uso.

Revise que los polipastos tengan las advertencias de operación y que estén legibles.

Anote y notifique cualquier deficiencia a los supervisores. Asegúrese de que los polipastos defectuosos están etiquetados y fuera de servicio hasta su reparación.

No use bajo ningún concepto un polipasto que no funcione correctamente.

Compruebe que no haya eslabones trinchados, torcidos, deformados ni materias extrañas. No use polipastos con la cadena torcida, doblada o dañada.

La cadena de carga debe estar correctamente lubricada.

No deben usarse ganchos que estén doblados, desgastados o cuyas aberturas estén agrandadas más allá de la abertura normal de la garganta. Si el pestillo no encaja en la abertura de la garganta del gancho, el polipasto debe ponerse fuera de servicio.

Las cadenas deben revisarse para detectar depósitos de materias extrañas que puedan penetrar en el mecanismo de elevación.

Compruebe si el freno patina bajo carga.

ADVERTENCIA

No tire del polipasto en ángulo. Asegúrese de que el polipasto y la carga estén en línea recta.

No use la cadena de carga como eslinga.

ELEVACIÓN DE CARGAS PELIGROSAS

No se recomienda usar este polipasto para elevar ni transportar cargas peligrosas o materiales que puedan causar daños generalizados en caso de caída. La elevación de cargas que puedan explotar o crear contaminación química o radiactiva en caso de caída requiere dispositivos de soporte redundantes a prueba de fallos que no están incorporados en este polipasto.

ELEVACIÓN DE CARGAS GUIADAS

ELEVACIÓN CORRECTA

No use el polipasto para elevar ni transportar a personas.

Asegúrese de que todos estén alejados de la carga cuando la eleve.

No retire ni oculte las advertencias de operación indicadas en el polipasto.

USO CORRECTO DEL POLIPASTO

Asegúrese de que el polipasto esté sujeto firmemente en la parte superior del arco del gancho de soporte.

Asegúrese de que el polipasto y la carga estén en línea recta. No tire del polipasto en ángulo.

Asegúrese de que la carga esté bien enganchada. No coloque la carga en la punta del gancho. No coloque la carga en el pestillo de gancho. El pestillo del gancho es solo para evitar que se desprenda la carga en condiciones de cadena floja.

No use la cadena de carga como eslinga. Este uso daña la cadena y el gancho inferior.

No use el polipasto con la cabeza apoyada contra ningún objeto. Eleve la carga con cuidado. No le de tirones.

ADVERTENCIA

No eleve cargas ni personas por encima de personas.

MANTENIMIENTO CORRECTO

Limpieza

Los polipastos deben mantenerse limpios y libres de polvo, suciedad, humedad, etc., que afecten el funcionamiento o la seguridad del equipo de algún modo.

Lubricación

La cadena debe estar correctamente lubricada.

Después de reparaciones

Pruebe el polipasto con cuidado antes de volver a ponerlo en servicio.

La violación de cualquiera de las advertencias enumeradas puede provocar lesiones personales graves al operario o al personal cercano por la naturaleza de la carga liberada o la rotura de componentes del polipasto.

PRÓLOGO

Este manual contiene información importante que le ayudará a instalar, usar y mantener correctamente su polipasto para obtener el máximo rendimiento, economía y seguridad.

Lea detenidamente su contenido antes de poner en servicio su polipasto. Observar los procedimientos de operación correctos y aplicar las sugerencias de mantenimiento preventivo recomendadas, le garantizará un servicio duradero, confiable y seguro. Una vez que conozca bien el contenido de este manual, le recomendamos que lo archive cuidadosamente para futuras consultas.

La información aquí contenida está concebida para la correcta instalación, uso, cuidado y mantenimiento del polipasto y no constituye un manual sobre el amplio tema del aparejo.

El aparejo puede definirse como el proceso de elevar y mover cargas pesadas usando polipastos y otros equipos mecánicos. La destreza adquirida a través de la experiencia especializada y el estudio es esencial para la seguridad de las operaciones de aparejo. Para obtener información sobre el aparejo, recomendamos consultar un libro de texto estándar sobre el tema.

ÍNDICE

PRECAUCIONES DE SEGURIDAD	48	Tab. 27: Montaje del freno.....	63
PRÓLOGO	50	Tab. 28: Solución de problemas.....	64
INFORMACIÓN GENERAL	52	Tab. 29: Especificación de par.....	66
Especificaciones.....	52	Tab. 30: Lista de piezas.....	67
Comunicación inalámbrica.....	52		
Declaración de conformidad ISED.....	53		
INSTALACIÓN	54		
Información de desembalaje.....	54		
Instalar las baterías.....	54		
Comprobación del funcionamiento del interruptor de fin de carrera.....	54		
Engrase inicial de la cadena.....	54		
INSTRUCCIONES DE OPERACIÓN	54		
General.....	54		
Polipasto.....	54		
Baterías y cargadores.....	55		
Control remoto.....	55		
Indicadores LED y alertas del control remoto.....	56		
ONE-KEY™.....	57		
Llave de desconexión eléctrica.....	57		
Instrucciones y procedimientos de operación.....	58		
INSPECCIÓN	58		
Mantenimiento preventivo.....	58		
Criterios de inspección de la suspensión.....	58		
Criterios para retirar el gancho.....	59		
Inspección de la cadena de carga.....	60		
Retirada e instalación de la cadena de carga.....	61		
MANTENIMIENTO	62		
Limitador de carga.....	62		
Lubricación del polipasto.....	62		
Acabado exterior.....	62		
Limpieza y sustitución del freno.....	62		
SOLUCIÓN DE PROBLEMAS	64		
PROCEDIMIENTO DE DESCENSO MANUAL	65		
DATOS TÉCNICOS	66		
Especificación de par.....	66		
PIEZAS Y SERVICIOS PARA EL POLIPASTO	67		
Lista de piezas.....	67		
INSTRUCCIONES DE PEDIDO	68		
GARANTÍA	69		
Limitación de garantías, reparaciones y daños.....	69		

LISTA DE ILUSTRACIONES

Fig. 1: Instalar las pilas del control remoto.....	54
Fig. 2: Características del polipasto.....	55
Fig. 3: Parte trasera del control remoto.....	56
Fig. 4: Indicador ONE-KEY™.....	57
Fig. 5: Pasador de suspensión/tornillo de retención.....	59
Fig. 6: Criterios para retirar el gancho.....	59
Fig. 7: Áreas de desgaste de la cadena.....	60
Fig. 8: Dimensiones de la cadena.....	60
Fig. 9: Medición del desgaste de la cadena.....	61
Fig. 10: Relieves de la cadena.....	61
Fig. 11: Montaje del freno.....	63
Fig. 12: Alineación del freno.....	63
Fig. 13: Procedimiento de descenso manual.....	65
Fig. 14: Piezas de polipasto.....	67

LISTA DE TABLAS

Tab. 21: Comunicación inalámbrica.....	52
Tab. 22: Baterías y cargadores.....	55
Tab. 23: Criterios para retirar el gancho.....	59
Tab. 24: Inspecciones frecuentes mínimas.....	59
Tab. 25: Inspecciones periódicas mínimas.....	60
Tab. 26: Dimensiones de la cadena.....	61

INFORMACIÓN GENERAL

ESPECIFICACIONES

Este polipasto es un equipo de manipulación de materiales muy versátil que puede usarse para elevar cargas acordes con su capacidad nominal. Las características mecánicas de estos polipastos incluyen una rueda elevadora de aleación de acero, limitador de carga, tren de engranajes de acero endurecido, lubricación de por vida, contenedor de cadena estándar, ganchos de acero forjado y bastidor de aluminio ligero. Las características eléctricas incluyen motor de corriente continua sin escobillas de velocidad variable alimentado por batería y con control remoto inalámbrico. Este producto está diseñado para uso industrial y comercial.

Condiciones operativas	
Temperatura	0°F – 104°F (-18°C – 40°C)
Elevación	máx. 3280 pies (1000 m)
Humedad relativa	máx. 95%
Condiciones de almacenamiento	
Temperatura	-4°F – 140°F (-20°C – 60°C)
Humedad relativa	máx. 95%

COMUNICACIÓN INALÁMBRICA

Tabla 21. Comunicación inalámbrica

Cat. No.	2980-20
ONE-KEY™ FCC ID	QQQ11
ONE-KEY™ IC	5123A-11
Remoto Cat. No.	192092302
Voltios	3V CC (1,5V AA X2)
FCC ID	SQGBL654
IC	3147A-BL654

Peligro de quemadura química. Mantenga la pila de botón fuera del alcance de los niños.



Comisión Federal de Comunicaciones (FCC)

De acuerdo con la parte 15.21 de las normas de la FCC, se le advierte que cualquier cambio o modificación no aprobado expresamente por la parte responsable de la conformidad podrían anular su autorización para usar el producto.

Este equipo fue sometido a ensayos y se determinó que cumple los límites establecidos para los dispositivos digitales de clase B según el apartado 15 de las normas de la FCC. Estos límites están concebidos para proporcionar una protección razonable contra interferencias perjudiciales en una instalación residencial. Este equipo genera, usa y puede irradiar energía de radiofrecuencia y, si no se instala y usa de acuerdo con las instrucciones, puede causar interferencias perjudiciales en las comunicaciones por radio. Sin embargo, no hay garantía de que no se produzcan interferencias en una instalación concreta. Si este equipo causa interferencias perjudiciales en la recepción de radio o televisión, lo que puede determinarse apagando y encendiendo el equipo, se recomienda al usuario que intente eliminar la interferencia mediante una o más de las siguientes medidas:

- Reoriente o reubique la antena receptora.
- Separe más el equipo y el receptor.
- Conecte el equipo a una toma de corriente de un circuito distinto al que está conectado el receptor.
- Consulte al distribuidor o a un técnico experto en radio/TV para obtener ayuda.

DECLARACIÓN DE CONFORMIDAD ISED

Este equipo contiene transmisor(es)/receptor(es) exentos de licencia que cumplen los RSS exentos de licencia de Innovación, Ciencia y Desarrollo Económico de Canadá. El funcionamiento está sujeto a las dos condiciones siguientes: (1) Este equipo no puede causar interferencias. (2) Este equipo debe aceptar cualquier interferencia recibida, incluyendo las interferencias que puedan causar un funcionamiento no deseado.

Este equipo cumple con los límites de exposición a la radiación IC RSS-102 establecidos para un entorno no controlado. Este transmisor no deberá colocarse ni operarse junto con ninguna otra antena o transmisor.

**Productos certificados para
EE.UU. y Canadá**



INSTALACIÓN

INFORMACIÓN DE DESEMBALAJE

Al recibo debe inspeccionarse cuidadosamente si el polipasto muestra daños que puedan haberse producido durante el envío o la manipulación. Compruebe si hay abolladuras o grietas en el bastidor del polipasto, si la carcasa del control remoto está cortada o dañada y si la cadena de carga está mellada o trinchada.

INSTALAR LAS BATERÍAS

⚠ ATENCIÓN

Asegúrese de que la tapa de la batería del polipasto está cerrada y de que la tapa de la cámara de la batería remota está bien sujeta para mantener una protección adecuada.

INSTALAR LAS PILAS DEL CONTROL REMOTO



Figura 1. Instalar las pilas del control remoto

1. Vuelva a colocar la tapa del compartimento de las pilas y apriete el tornillo de sujeción.

INSTALAR LA BATERÍA DEL POLIPASTO

COMPROBACIÓN DEL FUNCIONAMIENTO DEL INTERRUPTOR DE FIN DE CARRERA

Opere el polipasto en toda su longitud de elevación nominal para comprobar el correcto funcionamiento de los interruptores de fin de carrera superior e inferior de la siguiente manera:

1. Pulse el botón direccional ARRIBA en el control remoto y eleve el gancho con cuidado hasta que el interruptor de fin de carrera superior detenga el movimiento ascendente.
2. Pulse el botón direccional ABAJO en el control remoto y baje el gancho con cuidado hasta que el interruptor de fin de carrera inferior detenga el movimiento descendente.

⚠ ADVERTENCIA

Si el bloque de gancho o la carga entran en contacto con el contenedor/bolsa de la cadena, el conjunto contenedor/bolsa de la cadena puede dañarse.

PARA EVITAR CUALQUIER DAÑO:

Asegúrese de que la bolsa de la cadena no esté llena a más del 75% cuando el gancho esté en el límite superior.

ENGRASE INICIAL DE LA CADENA

⚠ ADVERTENCIA

La cadena de carga deberá lubricarse minuciosamente antes de su uso. De lo contrario, se puede acelerar el desgaste y dañar el polipasto.

La cadena de carga deberá engrasarse con el aceite adecuado (véase "Lubricación del polipasto", la página 62) antes de su uso. Asegúrese de que el aceite llegue a todas las áreas de la cadena, incluyendo los contactos entre los eslabones.

INSTRUCCIONES DE OPERACIÓN

GENERAL

1. El limitador de carga está diseñado para patinar en caso de sobrecarga excesiva. Si el polipasto no eleva la carga, significa que hay una sobrecarga. Además, puede oírse un ruido de embrague si el polipasto se carga por encima de la capacidad nominal. Si esto sucede, suelte inmediatamente el mando (ARRIBA) para detener el polipasto. Luego reduzca la carga a la capacidad nominal del polipasto o sustituya el polipasto por otro con una capacidad de carga adecuada. Cuando se retira la carga excesiva, se restablece automáticamente el funcionamiento normal del polipasto.

⚠ ATENCIÓN

El limitador de carga puede sobrecalentarse y desgastarse cuando patina durante períodos prolongados. El embrague no debe patinar bajo ningún concepto más de unos segundos.

2. Todos los polipastos están equipados con interruptores de fin de carrera que detienen automáticamente el gancho en los límites de carrera de la cadena.
3. Si el material que se manipula debe sumergirse en agua, baños de decapado, cualquier líquido o sólidos polvorientos o sueltos, use una eslinga de cadena de longitud suficiente para que el gancho esté siempre por encima de la superficie. Los rodamientos del bloque de gancho solo están protegidos contra las condiciones atmosféricas ordinarias.

POLIPASTO

1. Antes de elevar una carga compruebe que el polipasto está directamente sobre la carga.

⚠ ADVERTENCIA

La carga deberá colocarse directamente debajo del polipasto o del carro. Evite cualquier tipo de carga descentrada.

2. Recoja la cadena de carga floja antes de elevarla para evitar tirones de la carga. Si hay indicios de sobrecarga, baje inmediatamente la carga y compruébela.
3. **NO** deje que la carga pendulee o se tuerza mientras la eleva.
4. **NO** deje que la carga repose en el pestillo del gancho.

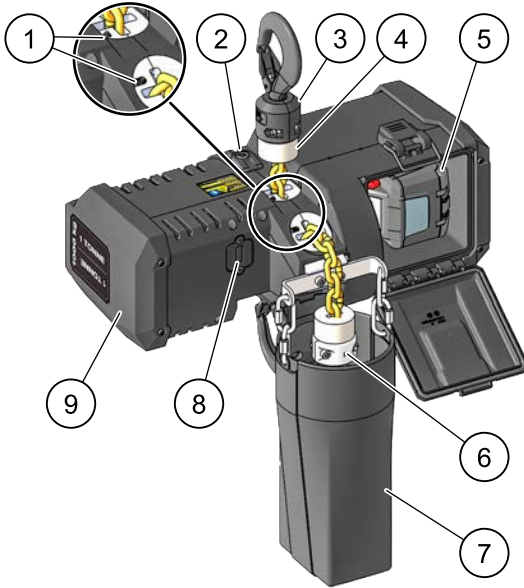


Figura 2. Características del polipasto

- | | |
|-----------------------------------|-------------------------------|
| 1 Interruptores de fin de carrera | 6 Tope de cadena |
| 2 Guardapolvos del freno | 7 Bolsa de la cadena |
| 3 Gancho giratorio | 8 Tapa de la pila de botón |
| 4 Amortiguador de tope de cadena | 9 Tapa terminal del polipasto |
| 5 Compartimento de la batería | |

BATERÍAS Y CARGADORES

1. Use solo baterías y cargadores MILWAUKEE M18 para este polipasto.
 - Se recomienda una batería de 12,0 Ah para obtener el mejor rendimiento.

La siguiente tabla contiene estimaciones de la cantidad de elevación con diferentes capacidades de carga. Tenga en cuenta que se trata de estimaciones y que el rendimiento real dependerá del estado de salud de la batería.

Tabla 22. Baterías y cargadores

Batería	Carga (toneladas)	Carga (kg)	* Recorrido del gancho [pies]	* Recorrido del gancho [m]
12,0 Ah	1/4	250	480	146
	1/2	500	300	91
	3/4	750	220	67
	1	1000	180	55

* Recorrido total estimado con elevación y descenso iguales

CONTROL REMOTO

Encendido

Para encender el control remoto:



1. Pulse y suelte el botón de encendido (2).

Control remoto buscando el polipasto:

- El indicador LED de encendido (1) parpadea en verde

Control remoto y polipasto conectados:

- El indicador LED de encendido (1) brilla en verde
- El zumbador del polipasto suena 3 segundos

Error de conexión

- Indicador LED de encendido (1) parpadea rápidamente en verde 4 segundos
- El control remoto se apaga

Apagado

Para apagar el control remoto:



1. Pulse y suelte el botón de encendido (2).

- El indicador LED de encendido (1) se apaga
- El control remoto se apaga
- El polipasto sigue encendido y se pone en modo de reposo después de 30 minutos

Autoapagado

Después de 5 minutos sin usar:

- El control remoto se apaga

Elevar o bajar la carga con el polipasto

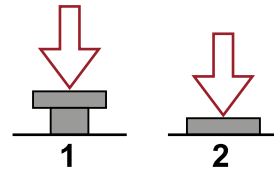


Para elevar la carga pulse y mantenga pulsado el botón direccional ARRIBA (4).



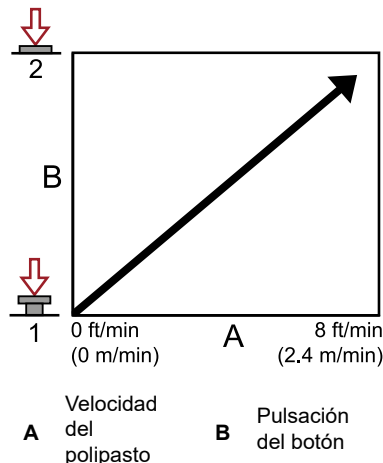
Para bajar la carga pulse y mantenga pulsado el botón direccional ABAJO (3).

La pulsación del botón es proporcionalmente variable. La profundidad de la pulsación del botón controla la velocidad del elevador.



1 No pulsado

2 Completamente pulsado



A Velocidad del polipasto

B Pulsación del botón

El polipasto de cadena se detiene al soltar el botón de dirección.

Si se mantienen pulsados simultáneamente los botones direccionales ARRIBA (4) y ABAJO (3), el polipasto se detiene. Se deberá soltar ambos botones para continuar el movimiento de la carga.

Parada



Para activar la parada:

- El polipasto recibe la señal de parada
- El movimiento se detiene inmediatamente
- El control remoto se apaga

Para restablecer la parada:

1. Para volver a encender el control remoto pulse el botón de encendido.
 - El control remoto se conecta con el polipasto
 - Se retoma el funcionamiento normal

NOTA: Apague el control remoto con el botón STOP para conservar las pilas.

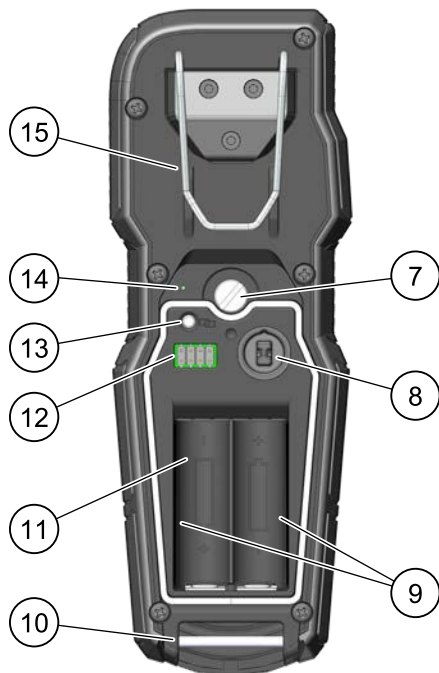


Figura 3. Parte trasera del control remoto

- | | |
|--|---|
| 7 Fijación por tornillo moleteado | 12 Puerto de diagnóstico |
| 8 Llave de desconexión eléctrica extraíble | 13 Botón e ícono de emparejamiento |
| 9 Ubicación de la etiqueta (lados del compartimento de la batería) | 14 Indicador LED de emparejamiento/conexión |
| 10 Bisagra de la tapa y fijación de cordón | 15 Clip para cinturón |
| 11 Compartimento de las pilas AA | |

NOTA: El control remoto viene de fábrica conectado con el polipasto. Si tiene que emparejarlo de nuevo, siga los pasos a continuación.



Emparejar el control remoto y el polipasto

1. Asegúrese de que hay una batería insertada en el polipasto deseado.
2. Retire las baterías de todos los demás polipastos de la zona durante el proceso de emparejamiento.
3. Pulse y mantenga pulsado el botón de emparejamiento durante 6 segundos.

Emparejamiento exitoso del polipasto y el control remoto:

- El indicador LED de emparejamiento/conexión brilla en verde 5 segundos y se apaga
- El indicador LED de encendido brilla en verde 5 segundos y se apaga

Si el emparejamiento no se establece después 5 segundos:

- Indicador LED de emparejamiento/conexión parpadea rápidamente en verde 1 minuto
- El indicador LED de encendido parpadea rápidamente en verde 1 minuto
- El control remoto se apaga

INDICADORES LED Y ALERTAS DEL CONTROL REMOTO

Indicador LED de encendido

- Control remoto encendido y conectado al polipasto
 - El indicador brilla en verde

Batería baja en el control remoto (aprox. 4 horas de funcionamiento)

- El indicador parpadea lentamente en verde

Modo de emparejamiento/conexión

- El indicador parpadea intermitentemente en verde

No se estableció el emparejamiento/conexión

- El indicador parpadea rápidamente en verde 1 minuto

El control remoto está apagado

- El indicador está apagado

El polipasto se pone en modo de reposo

- El control remoto se apaga
- El indicador está apagado



Batería baja (batería de 12,0 al 25% SOC)

- El indicador parpadea lentamente en rojo

Batería muerta

- El indicador brilla en rojo
- El polipasto no funciona hasta que se sustituya la batería
- El indicador brilla en rojo
- El polipasto no funciona hasta que la batería esté en su rango de temperatura normal

Indicador de sobrecarga de peso



Se pulsa el botón direccional ARRIBA (4) con una carga superior a la capacidad de peso

- El indicador brilla en rojo
- El zumbador del polipasto suena

Indicador del operario



El polipasto está por encima o por debajo de la temperatura operativa segura

- El indicador brilla en rojo
- El polipasto no funciona hasta que se alcancen la temperatura operativa o las condiciones de las especificaciones del producto

Error de la electrónica del polipasto

- El indicador brilla en rojo
- El polipasto no funciona

Indicador de inspección



Si la inspección del polipasto está pendiente según el intervalo de 365 días tras la configuración inicial de ONE-KEY™

- El indicador brilla en rojo
- El polipasto sigue funcionando

La inspección del polipasto debe realizarse en un plazo de 30 días

- El indicador parpadea lentamente en rojo

Después de la inspección

- El indicador deberá borrarse en la aplicación ONE-KEY™ mientras esté conectado al polipasto

NOTA: El indicador de inspección se iluminará 365 días después de la configuración inicial de ONE-KEY™ para indicar que la inspección anual está pendiente. El intervalo de inspección anual parte de un uso normal. Para ver los requisitos de operación normal consulte véase "Inspección", la página 58. Si el polipasto se usa para aplicaciones pesadas o severas, puede ser necesario realizar inspecciones con mayor frecuencia, que pueden configurarse en la aplicación ONE-KEY™.

Indicador LED de emparejamiento/conexión (detrás de la tapa de las pilas)

- Modo de emparejamiento/conexión
 - El indicador parpadea inmediatamente en verde
- Se estableció el Emparejamiento/conexión
 - El indicador brilla en verde 5 segundos
- Error de emparejamiento/conexión
 - El indicador parpadea rápidamente en verde 1 minuto

Indicador de bloqueo de seguridad



El polipasto fue bloqueado en la ONE-KEY™

- Todos los indicadores de alerta brillan en rojo
- Consulte la sección ONE-KEY™ para ver cómo desbloquear la herramienta.

ONE-KEY™

⚠ ADVERTENCIA
PELIGRO DE QUEMADURA QUÍMICA Este equipo contiene una pila de botón/moneda de litio. Una pila nueva o usada puede causar quemaduras internas graves y provocar la muerte en tan solo 2 horas si se ingiere o penetra en el cuerpo
PARA EVITAR CUALQUIER DAÑO: Asegure siempre la tapa de la pila. Si no se cierra con seguridad, deje de usar el equipo, retire las pilas y manténgalas fuera del alcance de los niños. Si cree que las pilas pueden haber sido ingeridas o haber penetrado en el cuerpo, busque atención médica inmediatamente.

Pila de botón interna

Para que ONE-KEY™ funcione se usa una pila de botón interna.

Para sustituir la pila de botón interna:

1. **¡ADVERTENCIA!** Retire la pila de la herramienta para evitar que se encienda.

2. Afloje los tornillos y abra la tapa del compartimento de la pila.
3. Retire la pila de botón usada, manténgala fuera del alcance de los niños y deséchela correctamente.
4. Inserte la nueva pila de botón (3V CR2032), con el polo positivo hacia arriba.
5. Cierre la tapa de la pila y apriete bien los tornillos.

ONE-KEY™

Encontrará más información sobre las funciones de ONE-KEY™ en milwaukeeetool.com/One-Key.

Para descargar la app ONE-KEY™ vaya a la App Store® o a Google Play™ desde su dispositivo inteligente.

Indicador de ONE-KEY™	
Azul permanente	El modo inalámbrico está activado y listo para configurar en la app ONE-KEY™.
Azul parpadeante	La herramienta está comunicando con la app ONE-KEY™.
Rojo parpadeante	La herramienta está bloqueada y puede ser desbloqueada en la app ONE-KEY™.

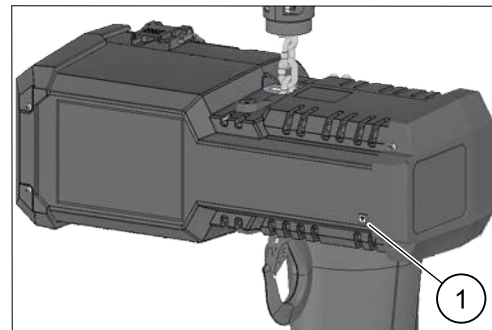


Figura 4. Indicador ONE-KEY™

- 1 Indicador ONE-KEY™

LLAVE DE DESCONEJIÓN ELÉCTRICA

Bloqueo del control remoto

Para bloquear el control remoto:

1. Retire la tapa de las pilas aflojando el tornillo moleteado.
2. Extraiga la llave de desconexión eléctrica.
3. Asegúrese de que la llave de desconexión eléctrica no se extravíe.
 - Se recomienda fijar la llave de desconexión eléctrica a un llavero.

Desbloqueo del control remoto

Para desbloquear el control remoto:

1. Retire la tapa de las pilas aflojando el tornillo moleteado.
2. Inserte la llave de desconexión eléctrica en su sitio con la alineación correcta.

⚠ ATENCIÓN
Se debe retirar y guardar de forma segura la llave de desconexión eléctrica cuando el polipasto esté sin vigilancia.

INSTRUCCIONES Y PROCEDIMIENTOS DE OPERACIÓN

Para las precauciones de seguridad y una lista de qué hacer y no hacer para una operación segura de los polipastos véase la página 48.

1. Solo personal competente deberá operar la unidad.
2. Antes de elevar una carga asegúrese de que los accesorios del gancho estén firmemente asentados en la silla del gancho. Evite cualquier tipo de carga descentrada, sobre todo las cargas en la punta del gancho.
3. **NO** deje que la carga repose en el pestillo del gancho. El pestillo ayuda a mantener el gancho en posición mientras la cadena está floja antes de recogerla.

ADVERTENCIA

Si la carga reposa en el pestillo del gancho y/o la punta del gancho puede caerse.

PARA EVITAR CUALQUIER DAÑO:

No deje que la carga y/o los accesorios reposen en el pestillo del gancho y/o en la punta del gancho. La carga deberá reposar solo en el tazón gancho o en el sillín.

4. **NO** enrolle la cadena de carga alrededor de la carga ni la enganche sobre sí misma como una eslinga.
Hacer esto puede provocar:
 - La pérdida del efecto giratorio del gancho, que podría provocar una torsión de la cadena y un atasco en la rueda elevadora.
 - El interruptor fin de carrera superior es puenteado y la carga podría golpear el polipasto.
 - La cadena podría dañarse en el gancho.
5. Antes de elevar la carga compruebe si la cadena de carga está torcida.
6. Manténgase alejado de todas las cargas y evite mover una carga por encima de las cabezas de otro personal. Advierta al personal que va a mover una carga en su área.
7. **NO** deje la carga suspendida en el aire sin vigilancia.
8. **NO** use este ni ningún otro equipo de manipulación aérea de materiales para elevar ni transportar personas.
9. **NO** cargue el polipasto por encima de la capacidad nominal indicada en la placa de identificación.
10. Advierta al personal que va a elevar una carga en su área. Fije la carga con cadenas o cables auxiliares antes de permitir el acceso a la zona situada debajo de la carga.
11. Recoja la cadena de carga floja con cuidado y empiece a elevar la carga lentamente para evitar golpes y tirones de la cadena. Si hay indicios de sobrecarga, baje inmediatamente la carga y retire el exceso de carga.
12. Al elevar la carga levántela solo lo suficiente para despejar el suelo o el soporte y compruebe que las fijaciones al gancho y a la carga están firmemente asentadas. Continúe con la elevación solo cuando esté seguro de que no haya obstrucciones para la carga.
13. **NO** deje que la carga pendulee o se tuerza mientras la eleva.
14. No use nunca el polipasto en presencia de materiales o vapores inflamables. Los equipos eléctricos producen arcos o chispas que pueden provocar un incendio o una explosión.
15. **¡MANTÉNGASE ALERTA!** Atienda a lo que hace y use el sentido común. No use el polipasto cuando esté cansado, distraído o bajo el efecto de drogas, alcohol o medicamentos que mermen el control.

INSPECCIÓN

Para mantener una operación continua y satisfactoria deberá iniciarse un procedimiento de inspección regular para sustituir las piezas desgastadas o dañadas antes de que se vuelvan inseguras. Los intervalos de inspección deberán estar en función de la aplicación individual y basarse en el tipo de servicio al que se someterá el polipasto.

El tipo de servicio al que se somete el polipasto puede clasificarse como "Normal", "Pesado" o "Severo".

Servicio normal

Es la operación con cargas distribuidas aleatoriamente dentro del límite de carga nominal o cargas uniformes inferiores al 65% de la carga nominal durante no más del 25% del tiempo.

Servicio pesado

Es la operación del polipasto dentro del rango de carga nominal que excede el servicio normal.

Servicio severo

Servicio normal o pesado con condiciones operativas anormales o exposición constante a los elementos de la naturaleza.

Deberán realizarse dos clases de inspecciones: frecuentes y periódicas.

Inspecciones frecuentes

Estas inspecciones son exámenes visuales realizados por el operario u otro personal designado. No se exige mantener registros de estas inspecciones. Las inspecciones frecuentes deberán realizarse mensualmente para un servicio normal, entre semanalmente y mensualmente para un servicio pesado, y entre diariamente y semanalmente para un servicio severo, y deben incluir los puntos enumerados, véase "Tab. 24: Inspecciones frecuentes mínimas", la página 59.

Inspecciones periódicas

Estas inspecciones son inspecciones visuales de las condiciones externas por parte de una persona designada. Se deberá conservar registros de las inspecciones periódicas para la evaluación continua del estado del polipasto.

Las inspecciones periódicas deberán realizarse anualmente para servicio normal, semestralmente para servicio pesado y trimestralmente para servicio severo, y deben incluir los puntos enumerados, véase "Tab. 25: Inspecciones periódicas mínimas", la página 60.

ATENCIÓN

Se deberá corregir cualquier deficiencia encontrada durante las inspecciones antes de poner el polipasto de nuevo en servicio. Además, las condiciones externas pueden mostrar que hay que desmontar el polipasto para una inspección más detallada, que, a su vez, puede requerir pruebas de tipo no destructivo.

MANTENIMIENTO PREVENTIVO

Además del procedimiento de inspección anterior, se debe establecer un programa de mantenimiento preventivo para prolongar la vida útil del polipasto y mantener su confiabilidad y uso continuo seguro. Este programa debe incluir inspecciones periódicas y frecuentes, prestando especial atención a la lubricación de los distintos componentes con los lubricantes recomendados.

CRITERIOS DE INSPECCIÓN DE LA SUSPENSIÓN

1. Asegúrese de que el retén del pasador de suspensión (1) no tenga grietas ni defectos y de que el tornillo esté apretado.

Si vuelve a instalar el tornillo de sujeción:

1. Asegúrese de que la rosca esté limpia y seca.
2. Aplique fijador de roscas de resistencia media al tornillo de retención (2).



Figura 5. Pasador de suspensión/tornillo de retención

- 1 Pasador de suspensión 2 Tornillo de retención

CRITERIOS PARA RETIRAR EL GANCHO

- a) Falta la identificación de la carga nominal o es ilegible, o es ilegible la identificación del fabricante del gancho, o la identificación secundaria del fabricante.
- b) Picaduras o corrosión excesivas.
- c) Grietas, muescas o trinchaduras.
- d) Desgaste: cualquier desgaste superior al 10% de la dimensión de la sección original del gancho o de su pasador de carga.
- e) Deformación: cualquier curvatura o torsión visible del plano del gancho sin doblar.
- f) Abertura de la garganta: cualquier distorsión que provoque un aumento de la apertura de la garganta del 5%, sin superar 1/4" (6 mm).

Tabla 24. Inspecciones frecuentes mínimas

Tipo de servicio			Elemento
Normal	Pesado	Severo	
Mensual	Semanal a mensual	Diaria a semanal	a) Compruebe si el freno patina o retrocede.
			b) Compruebe que todas las funciones operen correctamente.
			c) Compruebe si los ganchos tiene daños, grietas, torceduras, apertura excesiva de la garganta, enganche del pestillo y funcionamiento del pestillo, véase "Criterios para retirar el gancho", la página 59.
			d) Compruebe si la cadena está bien lubricada y si muestra señales de desgaste, eslabones dañados o cuerpos extraños véase "Inspección de la cadena de carga", la página 60.
			e) Compruebe que la cadena no esté torcida.

- g) Imposibilidad de bloqueo: cualquier gancho autobloqueante que no se bloquee.
- h) Pestillo inoperante: cualquier pestillo dañado o que funcione mal y no cierre la garganta del gancho.
- i) Desgaste, daños o corrosión de la rosca.
- j) Indicios de exposición excesiva al calor o soldadura no autorizada.
- k) Indicios de alteraciones no autorizadas, como taladrado, mecanizado, rectificado u otras modificaciones.

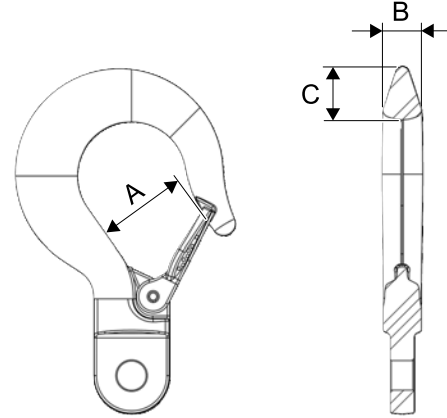


Figura 6. Criterios para retirar el gancho

Tabla 23. Criterios para retirar el gancho

Dimensiones del gancho	Criterios (mm)	
A	Nominal: 38	Máx.: 39.9
B	Nominal: 15	Mín.: 13.5
C	Nominal: 22	Mín.: 19.8

Tabla 25. Inspecciones periódicas mínimas

Tipo de servicio			Elemento	
Normal	Pesado	Severo		
Anual	Cada 6 meses	Cada 3 meses	a)	Todos los elementos enumerados para inspecciones frecuentes, véase "Tab. 24: Inspecciones frecuentes mínimas", la página 59.
			b)	Indicios exteriores de tornillos, pernos o tuercas sueltos.
			c)	Indicios exteriores de desgaste, corrosión, grietas o deformaciones en el bloque de gancho, tornillos de suspensión, engranajes, rodamientos, bloque del extremo muerto.
			d)	Indicios exteriores de daños en el grupo del gancho inferior. Compruebe también que el tornillo de sujeción de la suspensión superior esté apretado.
			e)	Indicios exteriores de daños o desgaste excesivo de los agujeros de la rueda elevadora. El ensanchamiento y profundización de los agujeros pueden hacer que la cadena se levante en el agujero y se atasque entre la rueda elevadora y las guías de la cadena. Compruebe también si la guía de la cadena está desgastada o presenta rebabas en el lugar donde la cadena entra en el polipasto. Sustituya las piezas muy desgastadas o dañadas.
			f)	Indicios exteriores de desgaste excesivo de las piezas del freno véase " <i>Limpieza y sustitución del freno</i> ", la página 62.
			g)	Compruebe que el control remoto funcione bien, que los botones funcionen libremente y no se atasquen en ninguna posición.
			h)	Compruebe que el aislamiento de la carcasa del control remoto no esté dañado.
			i)	Compruebe que los componentes de la suspensión no tengan daños, grietas, desgaste y funcionen bien. Compruebe también el tornillo de retención del gancho y asegúrese de que está bien apretado.
			j)	Compruebe el tope de la cadena del extremo suelto y el amortiguador. Sustituya las piezas desgastadas o deformadas.
			k)	Compruebe que la orejeta de suspensión o el gancho no tengan exceso de juego libre o rotación. Sustituya las piezas desgastadas por exceso de juego libre o rotación.
l)	Compruebe si hay señales de fugas de lubricante en el engranaje.			

INSPECCIÓN DE LA CADENA DE CARGA

Se deberá inspeccionar la cadena a intervalos regulares, mínimo una vez al año. A medida que aumenta la frecuencia de uso, se deberán reducir los intervalos de tiempo entre inspecciones. Durante la inspección se deberán examinar los eslabones de toda la cadena, incluyendo las partes ocultas. Si el equipo de elevación se usa frecuentemente con una distancia de elevación constante, en otras palabras, si el cambio dirección de arriba a abajo se produce a menudo en la misma zona, se deberá hacer una inspección y lubricación especialmente minuciosas en esa zona. El desgaste de la cadena también puede indicar desgaste en los componentes del polipasto. Por esta razón, las guías de la cadena del polipasto, los bloques de gancho y la rueda elevadora (piñón) deben examinarse para comprobar su desgaste y sustituirse, en caso necesario, cuando se sustituya la cadena.

1. Compruebe si la cadena está sucia o poco lubricada, véase "*Lubricación del polipasto*", la página 62.
2. Limpie la cadena con un disolvente no cáustico ni ácido e inspeccione eslabón por eslabón para comprobar si hay desgaste, grietas, torsiones o deformaciones. Sustituya la cadena si tiene alguno de estos defectos.
3. Afloje la parte de la cadena que normalmente pasa por encima de la rueda de elevación (piñón). Compruebe si los eslabones de la cadena tienen desgaste (véase Fig. 7). Si el diámetro del alambre de los eslabones mide menos del 90% del diámetro nominal del alambre en cualquier punto, sustituya la cadena.

NOTA: El paso nominal en 11 eslabones es de 8,25 pulgadas (209,5 mm). Sin embargo, comparar el paso de las secciones desgastadas con el de las no desgastadas se considera la mejor práctica y es la recomendada por el fabricante.

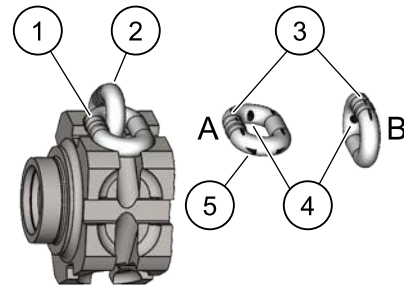


Figura 7. Áreas de desgaste de la cadena

- | | |
|--|--|
| A Marcas en el eslabón acostado | 3 Marcas de la guía de la cadena |
| B Marcas en el eslabón parado | 4 Marcas en el interior del eslabón |
| 1 Eslabón acostado | 5 Áreas de desgaste |
| 2 Eslabón parado | |

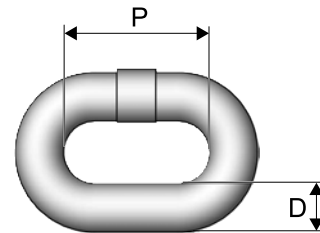


Figura 8. Dimensiones de la cadena

- | | |
|-----------------------|---------------------------------------|
| P Paso nominal | D Diámetro nominal del alambre |
|-----------------------|---------------------------------------|

Tabla 26. Dimensiones de la cadena

P	D
0,750" (19,05 mm)	0,250" (6,3 mm)

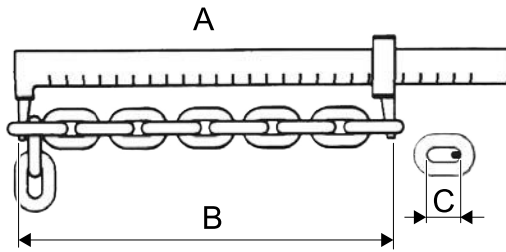


Figura 9. Medición del desgaste de la cadena

- A Pie de rey C Un paso
 B Mida 11 pasos

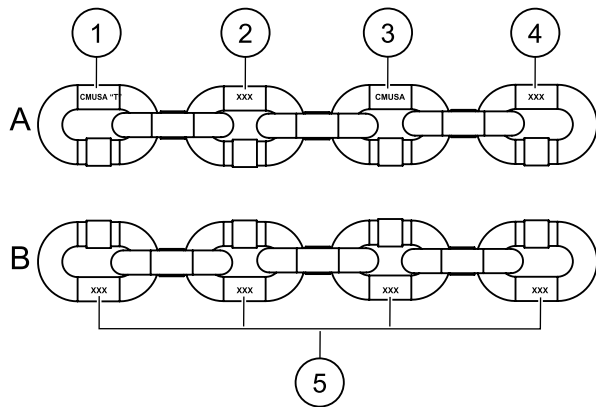


Figura 10. Relieves de la cadena

- A Lado anterior 3 CMUSA
 B Lado posterior 4 Código de rastreo (3 dígitos)
 1 CMUSA "T" 5 Fecha juliana (3 dígitos)
 2 Número del contador (3 dígitos)

Use solo cadenas de carga originales de grado T y piezas de repuesto originales del fabricante. El uso de otras cadenas y piezas puede ser peligroso y anula la garantía de fábrica.

NOTA: No use la cadena sustituida para otros fines, como elevar o tirar. La cadena de carga puede romperse repentinamente sin deformación visible. Por este motivo, corte la cadena sustituida en tramos cortos para evitar su uso después de desecharla.

⚠ ADVERTENCIA	
El uso de cadenas y piezas comerciales o de otros fabricantes para reparar los polipastos puede provocar pérdidas de carga.	
PARA EVITAR CUALQUIER DAÑO:	
Use solo cadenas de carga y piezas de repuesto suministradas por el fabricante. La cadena y las piezas pueden parecer similares, pero la cadena y las piezas del fabricante están hechas de un material específico o procesadas para que tengan propiedades específicas.	

RETIRADA E INSTALACIÓN DE LA CADENA DE CARGA

⚠ ADVERTENCIA	
La instalación incorrecta (enhebrado) de la cadena de carga puede provocar la caída de la carga.	
PARA EVITAR CUALQUIER DAÑO:	
<ul style="list-style-type: none"> • Compruebe el tamaño y tipo de cadena de carga para el polipasto específico. • Instale la cadena de carga correctamente como se indica a continuación. 	

El primer método se recomienda cuando se sustituye una cadena de carga muy desgastada y hay que desmontar el polipasto. El segundo método no requiere desmontar de polipasto.

NOTA: Al sustituir la cadena, es crucial que esté orientada con las soldaduras de los eslabones sobresalientes mirando hacia AFUERA con respecto a la rueda elevadora.

Método #1

- Retire la del polipasto.
- Separe el tope de cadena del extremo suelto y el bloque inferior de la cadena.
- Continúe desmontando el polipasto e inspeccione la rueda elevadora, las guías de cadena, la carcasa del motor y la carcasa del engranaje. Si alguno de estos componentes está desgastado o dañado, puede producirse un fallo prematuro de la nueva cadena. Las piezas pueden identificarse fácilmente con ayuda de la lista de piezas.
- Si los agujeros de la rueda elevadora, especialmente los extremos, están desgastados o rayados, sustituya la rueda elevadora. Si las guías de cadena y las carcasas están desgastadas, agrietadas o dañadas, sustituya también estas piezas.
- Vuelva a montar el polipasto con la nueva cadena de carga insertada por la rueda elevadora. Coloque la cadena con la soldadura en los eslabones parados en la dirección opuesta a la rueda elevadora y deje aproximadamente 0,3 m (1 pie) de cadena colgando libre en el lado del extremo suelto.

NOTA: Para simplificar el manejo al volver a montar el polipasto, se puede usar un trozo corto y en buen estado de la cadena vieja como "cadena de arranque". Coloque este trozo de cadena de la misma manera que se explicó anteriormente para la "cadena nueva" y termine de reensamblar el polipasto. Para más información sobre el uso de la cadena de arranque, véase el método #2.

- Reinstale el tope de la cadena del extremo suelto y el amortiguador.
- Fije el bloque de gancho y el amortiguador a la nueva cadena de carga.

Método #2

- Separe el tope de cadena del extremo suelto y el bloque inferior de la cadena.
- Trate la cadena de carga vieja del polipasto como una "cadena de arranque" y use el eslabón suelto del extremo como eslabón de acoplamiento temporal.
- Conecte la cadena de arranque en el polipasto y la nueva cadena de carga a instalar. Asegúrese de que la nueva cadena esté correctamente orientada, con las soldaduras en la dirección opuesta a la rueda elevadora.
- Bajo tensión, enhebre la nueva cadena de carga por la rueda elevadora para sustituir la cadena de arranque en la unidad. Pase suficiente cadena para fijar el tope de la cadena del extremo suelto.

- e) Reinstale el tope de la cadena del extremo suelto y el amortiguador.
- f) Fije el bloque de gancho y el amortiguador a la nueva cadena de carga.

MANTENIMIENTO

LIMITADOR DE CARGA

El limitador de carga debe funcionar durante la vida normal del polipasto sin servicio. Este dispositivo viene calibrado de fábrica para un modelo específico de polipasto.

⚠ ADVERTENCIA
Los lubricantes usados y recomendados para el polipasto pueden contener materiales peligrosos que requieren procedimientos específicos de manipulación y eliminación.
PARA EVITAR EL CONTACTO Y LA CONTAMINACIÓN: Manipule y elimine los lubricantes solo como se indica en las hojas de datos de seguridad de los materiales aplicables y de acuerdo con las regulaciones locales, estatales y federales aplicables.

LUBRICACIÓN DEL POLIPASTO

ENGRANAJES

NOTA: Para garantizar una vida útil más larga y el máximo rendimiento, asegúrese de lubricar las distintas piezas del polipasto con los lubricantes especificados. Si lo desea, puede adquirir estos lubricantes del fabricante. Consulte la lista de piezas en línea para ver los lubricantes necesarios.

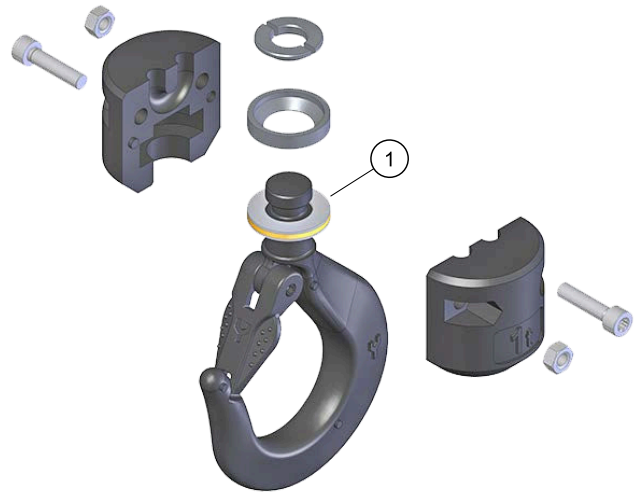
La caja de engranajes se engrasa durante el montaje y no debería ser necesario cambiarla a menos que los engranajes se hayan sacado de la carcasa y se hayan desengrasado. **No intente reparar o dar mantenimiento al engranaje planetario.**

Si extrae los engranajes de la carcasa, limpie el exceso de grasa con un paño suave y desengrase los engranajes y las carcasas. Al volver a montarlos, engrase los engranajes y la carcasa.

- Tipo de grasa necesario: Fuchs Lubricants Co. Stabyl HT 100 o equivalente
- Volumen de grasa necesario: 1.5 fl.oz (44 ml)

RODAMIENTOS

Todos los rodamientos y casquillos, excepto el rodamiento de empuje inferior del gancho, están prelubricados y no requieren lubricación. El rodamiento de empuje inferior del gancho debe lubricarse al menos una vez al mes con grasa Dow Corning Molykote BR-2-5 o equivalente. Aplique una capa fina a ambos lados del rodamiento. No permita que entre grasa en las roscas de los fijadores.



1 Rodamiento de empuje

GUÍAS DE LA CADENA Y RUEDA ELEVADORA

Cuando desmonte el polipasto para su inspección y/o reparación, lubrique las guías de la cadena y rueda elevadora con Lubriplate® Bar and Chain Oil 10-R (Fiske Brothers Refining Co.) o un lubricante equivalente antes de volver a montarlo. Debe aplicar el lubricante en cantidad suficiente para obtener un escurrimiento natural y una cobertura total de estas piezas.

CADENA DE CARGA

Una pequeña cantidad de lubricante aumentará considerablemente la vida útil de la cadena de carga. No deje que la cadena de carga se seque.

Mantenga la cadena limpia y lubríquela a intervalos regulares con Lubriplate Rock Drill Oil 10-R (Fiske Brothers Refining Co.), Citgo Rock Drill Oil 46 o un lubricante equivalente. Normalmente, la lubricación y limpieza semanales son satisfactorias, pero en condiciones de calor y suciedad, puede ser necesario limpiar la cadena al menos una vez al día y lubricarla varias veces entre una limpieza y otra.

Al lubricar la cadena, aplique suficiente lubricante para obtener un escurrimiento natural y una cobertura total, especialmente en la zona de los eslabones.

⚠ ADVERTENCIA
Los aceites de motor usados contienen materiales cancerígenos conocidos.
PARA EVITAR CUALQUIER PROBLEMA DE SALUD: No use nunca aceites de motor usados como lubricante de la cadena. Use solo lubricantes recomendados para la cadena de carga.

ACABADO EXTERIOR

Las superficies exteriores de este polipasto están fabricadas con un polímero duradero que no requiere mantenimiento. Las superficies exteriores pueden limpiarse con un paño.

LIMPIEZA Y SUSTITUCIÓN DEL FRENO

LIMPIEZA DEL FRENO

Para evitar la acumulación excesiva de polvo de freno, siga el procedimiento que se indica abajo cada 20 horas de funcionamiento.

Retire los tapones guardapolvo de la carcasa exterior y use una aspiradora adecuada para eliminar el exceso de polvo del freno.

NOTA: Use un dispositivo de extracción de polvo adecuado con un filtro HEPA como mínimo y un EPI adecuado para evitar la exposición a partículas de polvo.

AJUSTE/SUSTITUCIÓN DEL FRENO

El freno del polipasto puede requerir ajustes periódicos a lo largo de la vida útil de la unidad. La distancia que la carga se desplaza hacia abajo inmediatamente después de la elevación se denomina retroceso. Si el retroceso al elevar la carga nominal supera los cinco centímetros, es necesario ajustar el freno. Un técnico calificado puede seguir los siguientes pasos para desmontar y ajustar el grupo de freno para restablecer el rendimiento.

Desmonte la unidad para acceder a los componentes del freno. Vea Fig. 11 abajo y retire el anillo elástico y el propulsor del buje de freno. Para ajustarlo apriete a mano el buje de freno para asentar completamente todos los componentes. Vuelva a instalar el propulsor del buje, asegurándose de que el puntero del propulsor del buje está dentro de la zona de alineación, como se muestra en Fig. 12. El buje de freno debe permanecer apretado durante el proceso de alineación para una correcta orientación.

Para sustituirlo retire todas las piezas del freno que se muestran en Fig. 11. Asegúrese de que todas las piezas estén limpias y de que los cuatro muelles estén instalados en el bastidor durante el reensamblaje. Aplique cuidadosamente una capa de grasa Molykote® 41 Extreme High Temperature a las roscas del buje de freno (elemento 5). Asegúrese de que la grasa entre en contacto con las superficies de fricción. Siga el procedimiento de ajuste del freno descrito anteriormente después de instalar el resto de las piezas del freno.

Tabla 27. Montaje del freno

Nº. ART.	DESCRIPCIÓN	CANT.
1	RESORTE DE FRENO	4
2	CONTRADISCO	1
3	ANILLO DE RETENCIÓN – 19x1,2	1
4	DISCO DE BLOQUEO	1
5	BUJE DE FRENO	1
6	IMPULSOR DEL BUJE	1
7	ANILLO DE RETENCIÓN - 14x1	1

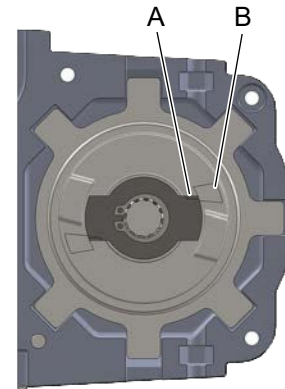


Figura 12. Alineación del freno

- A** Puntero del impulsor del freno
- B** Zona de alineación freno

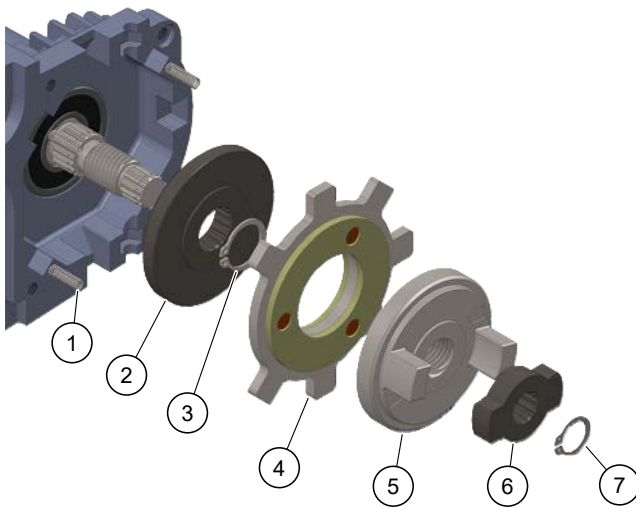


Figura 11. Montaje del freno

SOLUCIÓN DE PROBLEMAS

Tabla 28. Solución de problemas

Problema	Causa probable	Solución
El gancho no responde a los comandos del control remoto.	Batería del polipasto baja de carga o sin carga	Compruebe el "Indicador de batería M18" en el control remoto
	Batería del control remoto baja de carga o sin carga	Compruebe/sustituya las pilas del control remoto
	El control remoto no está conectado al polipasto	Pulse el botón de encendido para conectar el control remoto a su polipasto
	Los límites superior o inferior han detenido el movimiento del polipasto	Este es el funcionamiento previsto
	Carga excesiva	Compruebe el "Indicador de sobrecarga de peso" en el control remoto
	Conexiones sueltas en el polipasto	Compruebe las conexiones
El gancho se mueve en la dirección equivocada.	Está sujetando el control remoto al revés	
El gancho baja pero no sube	Carga excesiva (el limitador de carga se activó)	Compruebe el "Indicador de sobrecarga de peso" en el control remoto
	Nudo en la cadena	Desenrede la cadena
	Se ha alcanzado la posición límite superior	Este es el funcionamiento previsto
	Circuito de elevación abierto; contactos del control remoto defectuosos	Sustituya el control remoto
El gancho sube pero no baja	Circuito de elevación abierto; contactos del control remoto defectuosos	Sustituya el control remoto
	Nudo en la cadena	Desenrede la cadena
	Se ha alcanzado la posición límite inferior	Este es el funcionamiento previsto
El gancho baja aunque no se acciona el control del polipasto	Carga excesiva aplicada desde el exterior	Asegurarse de que la carga del polipasto está por debajo de la capacidad nominal
	El freno ha llegado al final de su vida útil	Compruebe y sustituya el freno
El gancho no se detiene rápidamente	El freno patina debido a la contaminación	Abra las tapas de inspección y compruebe si hay fluidos, etc.
	El freno ha llegado al final de su vida útil	Compruebe el desplazamiento de la carga después de detener la elevación
El polipasto trabaja lento	Carga excesiva	Compruebe el "Indicador de sobrecarga de peso" en el control remoto
	El freno patina	Compruebe y ajuste el freno
	Cadena de carga desgastada	Compruebe el desgaste de la cadena
El indicador del operario está iluminado	Carga excesiva	Compruebe el "Indicador de sobrecarga de peso" en el control remoto
	La relación entre el tiempo de inactividad y el tiempo de funcionamiento es inferior a 4 (superando el 20% del valor nominal del ciclo de trabajo)	Aumente el tiempo de inactividad
	El polipasto se usa de forma continua durante más de 7,5 min. (excede el rango de corta duración)	Reduzca el tiempo de funcionamiento continuo (desde el estado frío) a 7,5 minutos o menos
El gancho no se detiene en uno o ambos extremos del recorrido	Componentes faltantes, sueltos o dañados	Inspección
El punto de parada del gancho varía	Componentes faltantes, sueltos o dañados	Inspección
	El freno no retiene la carga	Compruebe el freno

PROCEDIMIENTO DE DESCENSO MANUAL

El polipasto puede operarse manualmente usando un taladro eléctrico y una llave de vaso SAE de 3/16".

1. Retire la tapa terminal del polipasto (1) en el lado del motor del polipasto quitando los cuatro tornillos (2) como se muestra a continuación.
2. Retire la cubierta del eje del motor (3) sujeta por los dos tornillos (4).
3. Use un taladro y una llave de vaso para hacer girar el eje del motor (5) en el sentido contrario a las agujas del reloj para bajar la carga, o en el sentido de las agujas del reloj para subirla.
4. Vuelva a colocar la cubierta del eje del motor (3) y la tapa terminal del polipasto (1).

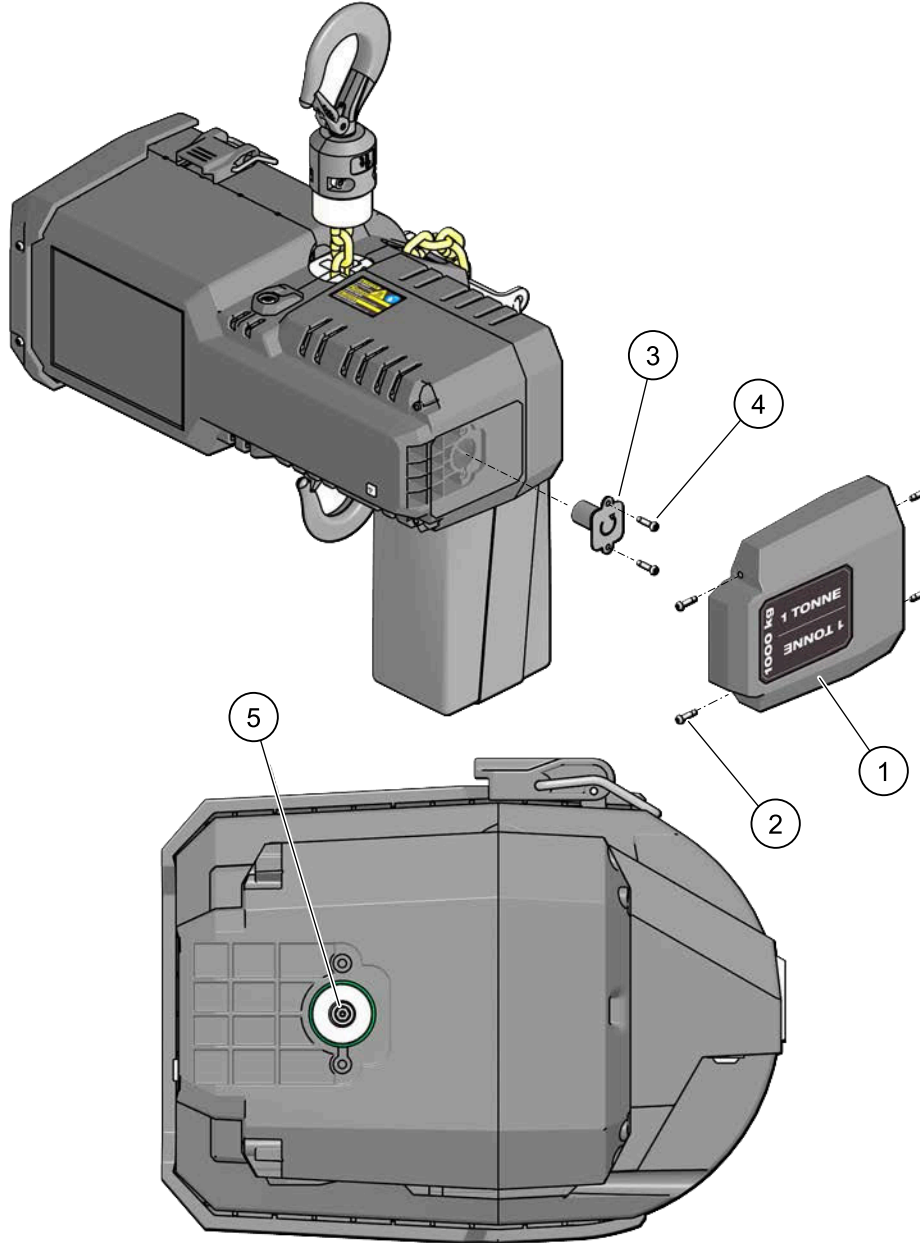


Figura 13. Procedimiento de descenso manual

DATOS TÉCNICOS

ESPECIFICACIÓN DE PAR

Tabla 29. Especificación de par

Sujetador	Descripción del sujetador	Herramienta requerida	* Par de apriete recomendado	
			pulgadas-lbs	Nm
Tornillos de la carcasa central	Tornillo de cabeza cilíndrica TORX M6	Destornillador TORX T30	89	10
Perno de suspensión	Tornillo de cabeza cilíndrica TORX M4	Destornillador TORX T20	30	3,5
Tornillos del bloque de gancho inferior	Tornillo de cabeza cilíndrica TORX M6	Destornillador TORX T30	89	10
Tope de cadena	Tornillo de cabeza cilíndrica TORX M6	Destornillador TORX T30	89	10
Soporte para bolsa de la cadena	Tornillo de cabeza cilíndrica TORX M6	Destornillador TORX T30	89	10
Guardapolvos del freno	Tornillo de cabeza de botón TORX M6	Destornillador TORX T30	89	10
Tornillos de la carcasa de plástico	Tornillo de cabeza cilíndrica TORX M4	Destornillador TORX T20	17	2
Amortiguadores de la tapa terminal del polipasto	Tornillo de cabeza cilíndrica TORX M4	Destornillador TORX T20	7	1
Tapa del eje del motor	Tornillo de cabeza cilíndrica TORX M4	Destornillador TORX T20	7	1
Tapa de la pila de botón	Tornillo de cabeza cilíndrica TORX M4	Destornillador TORX T20	9	1

* Todos los valores de par de apriete son para tornillos limpios y secos con fijador de roscas preaplicado. NO aplique aceite ni ningún otro lubricante a las roscas de los tornillos. El par de apriete debe reducirse en un 20% si se aplica un fijador de roscas líquido.



ADVERTENCIA



Siga todas las instrucciones y advertencias para la inspección, mantenimiento y operación de este polipasto.

PIEZAS Y SERVICIOS PARA EL POLIPASTO

LISTA DE PIEZAS

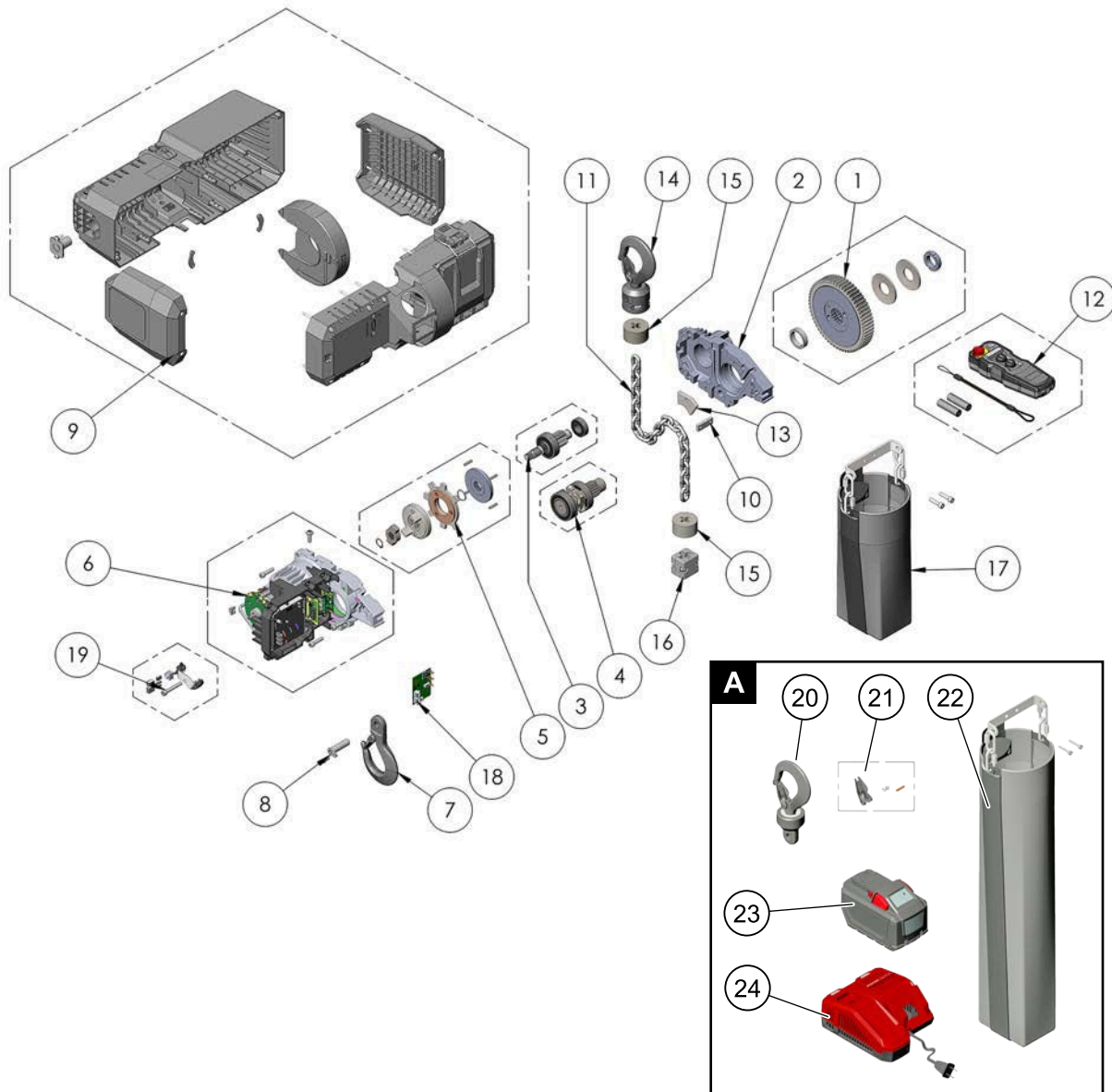


Figura 14. Piezas de polipasto

Tabla 30. Lista de piezas

Nº. ART.	Nº. DE PIEZA	DESCRIPCIÓN	CANT.
1	192098915	KIT DE EMBRAGUE	1
2	192087948	CARCARA CENTRAL LADO DE ENGRANAJE	1
3	192098916	KIT DEL EJE DE TRANSMISIÓN	1
4	192098918	KIT DE LA RUEDA ELEVADORA	1
5	192098917	KIT DE PIEZAS DEL FRENO	1
6	192098913	KIT DE MONTAJE DEL LADO DEL MOTOR	1
7	192087967	BLOQUE DE GANCHO SUPERIOR	1
8	192098905	KIT DE PASADOR DE GANCHO	1
9	192098903	KIT DE PIEZAS DE PLÁSTICO	1
10	192094186	TUERCA DESLIZANTE	1

Nº. ART.	Nº. DE PIEZA	DESCRIPCIÓN	CANT.
11	636224	CADENA DE CARGA GRADO 0,250 T	21
12	192098906	KIT DE CONTROL REMOTO	1
13	192087964	SEPARADOR DE CADENA	1
14	192089989	BLOQUE DE GANCHO INFERIOR	1
15	192089493	AMORTIGUADOR DE TOPE DE CADENA	2
16	192091312	KIT DE TOPE DE CADENA	1
17	192098908	KIT DE BOLSA DE CADENA, 11"	1
18	192098912	KIT DE PLACA DE CIRCUITOS IMPRESOS	1
19	192098918	KIT DE INTERRUPTOR DE FIN DE CARRERA	1
PIEZAS OPCIONALES 			
20	192095276	GANCHO GIRATORIO	1
21	00400450	KIT DE PESTILLO DE 1 TONELADA	1
22	192098911	KIT DE BOLSA DE CADENA, 23"	1
23	192098605	PAQUETE DE BATERÍA M18 FUEL 12 AH	1
24	192098607	CARGADOR RÁPIDO M18	1

LAS PIEZAS DE REPUESTO PARA SU POLIPASTO ESTÁN DISPONIBLES EN SU ESTACIÓN DE REPARACIÓN AUTORIZADA LOCAL.
 PARA VER EL CENTRO DE PIEZAS O SERVICIO MÁS CERCANO VISITE NUESTRO SITIO WEB
www.cmco.com

INSTRUCCIONES DE PEDIDO

La siguiente información debe acompañar a todos los pedidos por correspondencia de piezas de repuesto:

- Modelo del polipasto y números de serie de la etiqueta de identificación del producto.

NOTA: Al pedir piezas de repuesto se recomienda tener en cuenta pedir también artículos como juntas, tornillos y correas, etc. Estos elementos pueden dañarse o perderse durante el desmontaje o simplemente no ser aptos para su uso futuro debido al deterioro por el paso del tiempo o el servicio.

GARANTÍA

LIMITACIÓN DE GARANTÍAS, REPARACIONES Y DAÑOS

Indemnización y operación segura

El Comprador cumplirá y exigirá a sus empleados que cumplan las instrucciones y los manuales proporcionados por el Vendedor y usará y exigirá a sus empleados que sigan dichas instrucciones y manuales, y que usen y den un mantenimiento cuidadoso a la Mercancía y cualquier Pieza de repuesto. El Comprador no retirará ni permitirá que nadie retire ninguna señal de advertencia o instrucción de la Mercancía o Pieza de repuesto. En caso de lesiones personales o daños materiales o a la empresa derivados del uso de la Mercancía o Pieza de repuesto, el Comprador notificará por escrito al Vendedor dichas lesiones o daños en un plazo de 48 horas. El Comprador cooperará con el Vendedor en la investigación de dichas lesiones o daños y en la defensa de cualquier reclamación derivada de los mismos.

Si el Comprador no cumple esta sección o si cualquier lesión o daño es causado, en su totalidad o en parte, por el incumplimiento del Comprador de las leyes, normas o reglamentos de seguridad federales o estatales aplicables, el Comprador indemnizará y mantendrá indemne al Vendedor frente a cualquier reclamación, pérdida o gasto por lesiones o daños derivados del uso de la Mercancía y/o Pieza de repuesto.

ADVERTENCIA

Las alteraciones o modificaciones del equipo y el uso de piezas de repuesto que no sean del Vendedor pueden provocar un funcionamiento peligroso y lesiones.

PARA EVITAR CUALQUIER DAÑO:

- No altere ni modifique el equipo.
- Use solo piezas de repuesto fabricadas por el Vendedor.

MANUAL DE INSTALAÇÃO, OPERAÇÃO, E MANUTENÇÃO

TALHA DE CORRENTE ELÉTRICA
DE VELOCIDADE VARIÁVEL
ALIMENTADA POR BATERIA



BATTERYSTAR™

BATTERY POWERED CHAIN HOIST

Antes de instalar a talha, preencha as informações abaixo

Model Number _____
Serial No. _____
Purchase Date _____
Voltage _____ 18 VDC _____
Rated Load _____ 1 Tonne (2204 lbs) (1000 kg) _____



ATENÇÃO



Siga todas as instruções e advertências para inspeção, manutenção e operação desta talha.

O uso de qualquer talha apresenta algum risco de ferimentos pessoais ou danos materiais. Esse risco aumenta muito se as instruções e avisos adequados não forem seguidos. Antes de usar esta talha, cada operador deve se familiarizar completamente com todos os avisos, instruções e recomendações deste manual. **Guarde este manual para referência e uso futuros.**

Encaminhe este manual ao operador. A não operação do equipamento conforme as instruções do manual pode causar lesões.



ATENÇÃO

A operação inadequada de uma talha pode criar uma situação potencialmente perigosa que, se **NÃO** evitada, pode resultar em morte ou ferimentos graves. Para evitar essa situação potencialmente perigosa, o operador deve:

1. **NÃO** opere uma talha danificada, com mau funcionamento ou com desempenho incomum.
2. **NÃO** opere a talha até que tenha lido e compreendido completamente este Manual de Instalação, Operação e Manutenção.
3. **NÃO** opere uma talha que tenha sido modificada.
4. **NÃO** eleve mais do que a carga nominal da talha.
5. **NÃO** use a talha com a corrente de carga torcida, dobrada, danificada ou desgastada.
6. **NÃO** use a talha para elevar, apoiar ou transportar pessoas.
7. **NÃO** eleve cargas por cima de pessoas.
8. **NÃO** opere uma talha a menos que todas as pessoas estejam e permaneçam afastadas da carga suportada.
9. **NÃO** opere a menos que a carga esteja centralizada por baixo da talha.
10. **NÃO** tente alongar a corrente de carga ou consertar a corrente de carga danificada.
11. Proteja a corrente de carga da talha contra respingos de solda ou outros contaminantes prejudiciais.
12. **NÃO** opere a talha quando ela estiver impedida de formar uma linha reta de gancho a gancho na direção do carregamento.
13. **NÃO** use a corrente de carga como um estilingue ou enrole a corrente de carga ao redor da carga.
14. **NÃO** aplique a carga na ponta do gancho ou na trava do gancho.
15. **NÃO** aplique a carga a menos que a corrente de carga esteja adequadamente assentada na(s) roda(s) de corrente ou na(s) roda(s) dentada(s).
16. **NÃO** aplique carga se o rolamento impedir o carregamento igual em todas as correntes de suporte de carga.
17. **NÃO** opere além dos limites do curso da corrente de carga.
18. **NÃO** deixe a carga suportada pela talha sem supervisão, a menos que tenham sido tomadas precauções específicas.
19. **NÃO** permita que a corrente de carga ou o gancho seja usado como aterramento elétrico ou de solda.
20. **NÃO** permita que a corrente de carga ou o gancho sejam tocados por um eletrodo de solda energizado.
21. **NÃO** remova ou obscureça os avisos na talha.
22. **NÃO** opere uma talha na qual as placas ou decalques de segurança estejam ausentes ou ilegíveis.
23. **NÃO** opere uma talha a menos que ela tenha sido fixada com segurança em um suporte adequado.
24. **NÃO** opere uma talha a menos que as eslingas de carga ou outros acessórios individuais aprovados estejam adequadamente dimensionados e assentados na sela do gancho.
25. Retire a folga com cuidado - verifique se a carga está equilibrada e se a ação de retenção da carga está segura antes de continuar.
26. Desligue uma talha que apresenta mau funcionamento ou desempenho incomum e informe esse mau funcionamento.
27. Verifique se os interruptores de limite da talha estão funcionando corretamente.
28. Avisar a equipe sobre a aproximação de uma carga.

CUIDADO

A operação inadequada de uma talha pode criar uma situação potencialmente perigosa que, se **NÃO** evitada, pode resultar em ferimentos leves ou moderados. Para evitar essa situação potencialmente perigosa, o operador deve:

1. Manter uma base firme ou esteja seguro de outra forma ao operar a talha.
2. Verificar o funcionamento do freio, tensionando a talha antes de cada operação de elevação.
3. Usar travas de gancho. As travas devem reter eslingas, correntes, etc., somente em condições de folga.
4. Certificar-se de que as travas do gancho estejam fechadas e não estejam apoiando nenhuma parte da carga.
5. Certificar-se de que a carga esteja livre para se movimentar e que possa passar por todas as obstruções.
6. Evitar balançar a carga ou o gancho.
7. Certificar-se de que o deslocamento do gancho esteja na mesma direção mostrada nos controles.
8. Inspecionar a talha regularmente, substituir as peças danificadas ou desgastadas e mantenha registros adequados da manutenção.
9. Usar as peças recomendadas pelo fabricante da talha ao consertar a unidade.
10. Lubrificar a corrente de carga de acordo com as recomendações do fabricante da talha.
11. **NÃO** use o dispositivo de limitação de carga ou de advertência da talha para medir a carga.
12. **NÃO** use chaves de limite como paradas operacionais de rotina, a menos que seja permitido pelo fabricante. Eles são apenas dispositivos de emergência.
13. **NÃO** permita que sua atenção seja desviada da operação da talha.
14. **NÃO** permita que a talha seja submetida a contato brusco com outras talhas, estruturas ou objetos devido a uso indevido.
15. **NÃO** ajuste ou conserte a talha, a menos que esteja qualificado para realizar tais ajustes ou reparos.

PRECAUÇÕES DE SEGURANÇA



Esse símbolo indica instruções de segurança importantes que, se não forem seguidas, podem colocar em risco a sua segurança pessoal e/ou a propriedade de você e de outras pessoas.

Leia e siga todas as instruções deste manual e de qualquer outro fornecido com o equipamento antes de tentar operar sua talha.

A SEGURANÇA DA TALHA DEPENDE DE VOCÊ...

ATENÇÃO

Não eleve mais do que a carga nominal.

ESCOLHA A TALHA CERTA PARA O TRABALHO...

Escolha uma talha com a capacidade necessária para o trabalho. Conheça as capacidades de suas talhas e o peso de suas cargas. Em seguida, combine-os.

A aplicação, o tamanho e o tipo de carga, os acessórios a serem usados e o período de uso também devem ser levados em consideração ao selecionar a talha certa para o trabalho.

Lembre-se de que a talha foi projetada para aliviar nosso fardo. A falta de cuidado não só coloca em risco o operador, mas, em muitos casos, uma carga valiosa.

ATENÇÃO

Não opere uma talha danificada ou com mau funcionamento.

Não opere com corrente torcida, dobrada ou danificada.

INSPECIONAR

Todas as talhas devem ser inspecionadas visualmente antes do uso, além das inspeções regulares e periódicas de manutenção.

Inspeccione as talhas quanto à legibilidade e aos avisos de advertência das operações.

As deficiências devem ser observadas e levadas ao conhecimento dos supervisores. Certifique-se de que as talhas defeituosas sejam etiquetadas e retiradas de serviço até que os reparos sejam feitos.

Em nenhuma circunstância você deve operar uma talha com mau funcionamento.

Verifique se há elos arrancados, torcidos, distorcidos e materiais estranhos. Não opere talhas com elos de corrente torcidos, dobrados ou danificados.

A corrente de carga deve ser lubrificada adequadamente.

Ganchos dobrados, desgastados ou com aberturas maiores do que a abertura normal da garganta não devem ser usados. Se a trava não engatar na abertura da garganta do gancho, a talha deve ser retirada de serviço.

As correntes devem ser verificadas quanto a depósitos de materiais estranhos que possam ser transportados para o mecanismo de elevação.

Verifique se há indícios de deslizamento do freio sob carga.

ATENÇÃO

Não puxe em um ângulo. Certifique-se de que a talha e a carga estejam em uma linha reta.

NÃO utilizar a corrente de carga como eslinga.

IÇAMENTO DE CARGAS PERIGOSAS

A talha não é recomendada para o içamento ou transporte de cargas perigosas ou materiais que possam causar danos significativos se vierem a cair. O içamento de cargas que podem explodir ou produzir contaminação química ou radioativa se vierem a cair requerem dispositivos de segurança redundantes que não estão incorporados a esta talha.

IÇAMENTO DE CARGAS GUIADAS

ELEVAR CORRETAMENTE

Não eleve pessoas com a talha.

Certifique-se de que todas as pessoas estejam afastadas da carga ao elevar.

Não remova ou oculte os avisos de advertência de operação.

USE A TALHA ADEQUADAMENTE

Certifique-se de que a talha esteja solidamente presa na parte mais alta do arco do gancho de suporte.

Certifique-se de que a talha e a carga estejam em uma linha reta. Não puxe em um ângulo.

Certifique-se de que a carga esteja bem engatada. Não incline o gancho. Não carregue a trava do gancho. A trava do gancho serve para evitar o desprendimento da carga somente com a folga da corrente.

NÃO utilizar a corrente de carga como eslinga. Esse uso danifica a corrente e o gancho inferior.

Não opere com a cabeça da talha encostada em qualquer objeto. Eleve a carga suavemente. Não a sacuda.

ATENÇÃO

Não eleve pessoas ou cargas acima de pessoas.

MANUTENÇÃO ADEQUADA

Limpeza

As talhas devem ser mantidas limpas e livres de poeira, sujeira, umidade, etc., que possam de alguma forma afetar a operação ou a segurança do equipamento.

Lubrificação

A corrente deve ser lubrificada adequadamente.

Após reparos

Opere a talha com cuidado antes de colocá-la novamente em pleno funcionamento.

A violação de qualquer um dos avisos listados pode resultar em ferimentos pessoais graves ao operador ou ao pessoal próximo devido à liberação da carga ou à quebra de componentes da talha.

PREFÁCIO

Este manual contém informações importantes para ajudá-lo a instalar, operar e manter adequadamente a talha para obter o máximo de desempenho, economia e segurança.

Leia atentamente seu conteúdo antes de colocar a talha em operação. Ao praticar os procedimentos operacionais corretos e realizar as sugestões recomendadas de manutenção preventiva, você obterá um serviço longo, confiável e seguro. Depois de se familiarizar completamente com o conteúdo deste manual, recomendamos que você o archive cuidadosamente para referência futura.

As informações contidas são direcionadas à instalação, ao uso, aos cuidados e à manutenção adequados da talha e não constituem um manual sobre o assunto geral de aparelhamento.

Aparelhamento pode ser definido como o processo de elevação e movimentação de cargas pesadas usando talhas e outros equipamentos mecânicos. A capacidade adquirida por meio de experiência e estudo especializados é essencial para operações seguras de aparelhamento. Para obter informações sobre o aparelhamento, recomendamos consultar um livro-texto padrão sobre o assunto.

ÍNDICE

PRECAUÇÕES DE SEGURANÇA.....	71	Tab. 37: Conjunto do freio.....	85
PREFÁCIO.....	73	Tab. 38: Solução de problemas.....	86
INFORMAÇÕES GERAIS.....	75	Tab. 39: Especificação de torque.....	88
Especificações.....	75	Tab. 40: Listas de Peças.....	89
Comunicação sem fio.....	75		
Declaração de conformidade ISED.....	75		
INSTALAÇÃO.....	76	LISTA DE ILUSTRAÇÕES	
Informações de desembalagem.....	76	Fig. 1: Instalação de baterias do controle remoto.....	76
Instalação de baterias.....	76	Fig. 2: Recursos da talha.....	77
Verificação da operação da chave de limite.....	76	Fig. 3: Parte traseira do controle remoto.....	78
Lubrificação inicial da corrente.....	76	Fig. 4: Indicador ONE-KEY™.....	79
INSTRUÇÕES DE OPERAÇÃO.....	76	Fig. 5: Retentor do pino de suspensão/parafuso retentor.....	81
Generalidades.....	76	Fig. 6: Critérios de remoção de ganchos.....	81
Talha.....	76	Fig. 7: Áreas de desgaste da corrente.....	82
Baterias e carregadores.....	77	Fig. 8: Dimensões da corrente.....	82
Controle remoto.....	77	Fig. 9: Medição do desgaste da corrente de carga.....	83
Indicadores e alertas de LED de controle remoto.....	78	Fig. 10: Gravação da corrente.....	83
ONE-KEY™.....	79	Fig. 11: Conjunto do freio.....	85
Chave de desconexão elétrica.....	79	Fig. 12: Alinhamento do freio.....	85
Instruções e procedimentos de operação segura.....	80	Fig. 13: Procedimento de descida manual.....	87
INSPEÇÃO.....	80	Fig. 14: Peças da talha.....	89
Manutenção preventiva.....	80		
Critérios de inspeção para a suspensão.....	80		
Critérios de remoção de ganchos.....	81		
Inspeção da corrente de carga.....	82		
Remoção e instalação da corrente de carga.....	83		
MANUTENÇÃO.....	84		
Limitador de carga.....	84		
Lubrificação da talha.....	84		
Acabamento exterior.....	84		
Limpeza e substituição dos freios.....	84		
SOLUÇÃO DE PROBLEMAS.....	86		
PROCEDIMENTO DE DESCIDA MANUAL.....	87		
DADOS TÉCNICOS.....	88		
Especificação de torque.....	88		
PEÇAS E SERVIÇOS PARA TALHAS.....	89		
Listas de Peças.....	89		
INSTRUÇÕES PARA PEDIDOS.....	90		
GARANTIA.....	91		
Limitação de garantias, correções e danos.....	91		
LISTA DE TABELAS			
Tab. 31: Comunicação sem fio.....	75		
Tab. 32: Baterias e carregadores.....	77		
Tab. 33: Critérios de remoção de ganchos.....	81		
Tab. 34: Inspeções frequentes mínimas.....	81		
Tab. 35: Inspeções periódicas mínimas.....	82		
Tab. 36: Dimensões da corrente.....	83		

INFORMAÇÕES GERAIS

ESPECIFICAÇÕES

Essa talha é um dispositivo de manuseio de materiais altamente versátil que pode ser usado para elevar cargas que estejam dentro da capacidade especificada. As características mecânicas dessas talhas incluem uma roda de elevação de liga de aço, um limitador de carga, trem de engrenagens de aço endurecido, lubrificação vitalícia, recipiente de corrente padrão, ganchos de aço forjado e estrutura de alumínio leve. Os recursos elétricos incluem um motor CC sem escovas, com velocidade variável e controle remoto sem fio. Este produto é destinado ao uso industrial e comercial.

Condições de operação	
Temperatura	-18 °C a 40 °C (0 °F a 104 °F)
Elevação	Máx 3280 pés (1000 m)
Umidade relativa	Máx 95%

Condições de armazenamento	
Temperatura	-20 °C a 60 °C (-4 °F a 140 °F)
Umidade relativa	Máx 95%

COMUNICAÇÃO SEM FIO

Tabela 31. Comunicação sem fio

Cat. Nº	2980-20
ONE-KEY™ FCC ID	QOQ11
ONE-KEY™ IC	5123A-11
Cat. Remoto. Nº.	192092302
Volts	3V CC (1,5V AA X2)
ID FCC	SQGBL654
IC	3147A-BL654

Risco de queimadura química. Mantenha a pilha tipo moeda longe do alcance de crianças.



Comissão Federal de Comunicações

De acordo com a seção 15.21 das Regras da FCC, você foi avisado de que alterações ou modificações não aprovadas expressamente pela parte responsável pela conformidade podem anular sua autoridade para operar o produto.

Este equipamento foi testado e cumpre com os limites de um dispositivo digital de Classe B, de acordo com a Seção 15 das regras da FCC. Esses limites foram concebidos para proporcionar uma proteção significativa contra interferências prejudiciais em uma instalação residencial. Este equipamento gera, utiliza e pode irradiar energia de radiofrequência e, se não for instalado e utilizado de acordo com as instruções, poderá causar interferência prejudicial às comunicações de rádio. Contudo, não há garantia de que não ocorrerão interferências em uma instalação específica. Se este equipamento causar interferência prejudicial à recepção de rádio ou televisão, o que pode ser determinado desligando e ligando o equipamento, é aconselhável que o usuário tente corrigir a interferência por meio de uma ou mais das seguintes medidas:

- Reorientar ou realocar a antena receptora.
- Aumentar a distância entre o equipamento e o receptor.
- Conectar o equipamento na saída de um circuito diferente daquele em que o receptor está conectado.
- Consultar o vendedor ou um técnico experiente de rádio/TV para obter ajuda.

DECLARAÇÃO DE CONFORMIDADE ISED

Este dispositivo contém transmissor(es)/receptor(es) isentos de licença que estão em conformidade com os RSS(s) isentos de licença do Innovation, Science and Economic Development Canada (ISED). A operação está sujeita às duas condições a seguir. (1) Este dispositivo não pode causar interferência. (2) Este dispositivo deve aceitar qualquer interferência, incluindo interferência que possa causar operação indesejada do dispositivo.

Este equipamento está em conformidade com os limites de exposição à radiação IC RSS-102 estabelecidos para um ambiente não controlado. Este transmissor não deve estar localizado ou em operação conjunta com qualquer outra antena ou transmissor.

Produtos certificados para
EUA e Canadá



INSTALAÇÃO

INFORMAÇÕES DE DESEMBALAGEM

Após recebida, a talha deve ser cuidadosamente inspecionada quanto a danos que possam ter ocorrido durante o transporte ou manuseio. Verifique se há amassados ou rachaduras na estrutura da talha, se a carcaça do controle remoto está cortada ou danificada e inspecione a corrente de carga para ver se há cortes e riscas.

INSTALAÇÃO DE BATERIAS

⚠ CUIDADO

Certifique-se de que a porta da bateria na talha esteja travada e que a cobertura do compartimento da bateria remota esteja bem presa para manter a proteção adequada contra penetração.

INSTALAÇÃO DE BATERIAS DO CONTROLE REMOTO



Figura 1. Instalação de baterias do controle remoto

1. Coloque de novo a tampa do compartimento da bateria e aperte o parafuso de retenção.

INSTALAÇÃO DE BATERIAS DA TALHA

VERIFICAÇÃO DA OPERAÇÃO DA CHAVE DE LIMITE

Opere a talha em toda a extensão de sua elevação nominal, verificando se as chaves de limite superior e inferior estão funcionando corretamente, conforme segue:

1. Pressione o botão direcional PARA CIMA no controle remoto e eleve o gancho com cuidado até que a chave de limite superior interrompa o movimento para cima.
2. Pressione o botão direcional PARA BAIXO no controle remoto e abaixe o gancho com cuidado até que a chave de limite inferior interrompa o movimento para baixo.

⚠ ATENÇÃO

Se o bloco do gancho ou a carga entrar em contato com o contêiner/saco da corrente, o conjunto contêiner/saco da corrente poderá ser danificado.

PARA EVITAR FERIMENTOS:

Certifique-se de que o saco de corrente não esteja mais do que 75% cheia quando o gancho estiver no limite superior.

LUBRIFICAÇÃO INICIAL DA CORRENTE

⚠ ATENÇÃO

A corrente de carga deve ser completamente lubrificada antes do uso. A inobservância a essa instrução poderá resultar em desgaste acelerado e possíveis danos à talha.

A corrente de carga deve ser lubrificada com óleo correto (*vide "Lubrificação da talha", página 84*) antes do uso. O óleo deverá alcançar todas as áreas da corrente, incluindo a área interligada.

INSTRUÇÕES DE OPERAÇÃO

GENERALIDADES

1. O limitador de carga foi projetado para deslizar em caso de sobrecarga excessiva. Uma sobrecarga é indicada quando a talha não consegue elevar a carga. Além disso, poderá ser ouvido um ruído de embraiagem se a talha for carregada além da capacidade nominal. Se isso ocorrer, solte imediatamente o controle (PARA CIMA) para interromper a operação da talha. Nesse caso, a carga deve ser reduzida para a capacidade nominal da talha ou a carga da talha deve ser substituída por outra que tenha a capacidade adequada. Quando a carga excessiva é removida, a operação normal da talha é restaurada automaticamente.

⚠ CUIDADO

O limitador de carga é suscetível ao superaquecimento e ao desgaste quando for deslizado por longos períodos. Em circunstância alguma, a embraiagem deve deslizar por mais de alguns segundos.

2. Todas as talhas são equipadas com chaves de limite, que param automaticamente o gancho nos limites de curso da corrente.
3. Se o material que estiver sendo manuseado tiver de ser imerso em água, banhos de decapagem, qualquer líquido ou sólidos empoeirados ou soltos, use uma corrente de lingas de comprimento suficiente para que o gancho fique sempre acima da superfície. Os rolamentos no bloco do gancho são protegidos apenas contra as condições atmosféricas comuns.

TALHA

1. Antes de pegar uma carga, verifique se a talha está diretamente sobre a carga.

⚠ ATENÇÃO

A carga deve ser colocada diretamente por cima da talha ou do carrinho. Evite qualquer tipo de carregamento descentralizado.

2. Elimine a folga na corrente de carga antes de elevá-la para evitar solavancos na carga. Se houver qualquer evidência de sobrecarga, abaixe imediatamente a carga e avalie a situação.
3. **NÃO** permita que a carga balance ou gire durante o içamento.
4. **NÃO** permita que a carga encoste na trava do gancho.

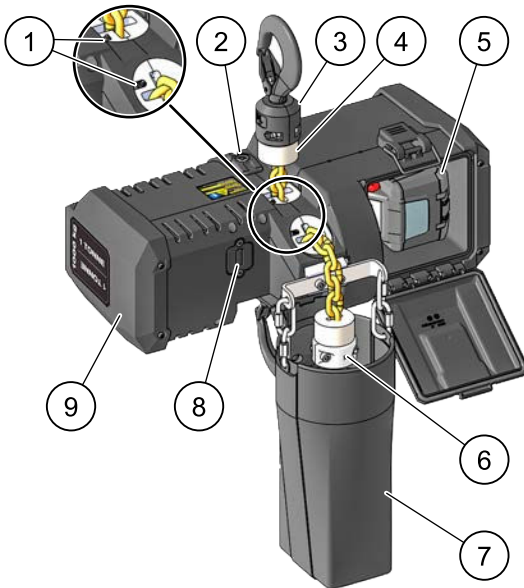


Figura 2. Recursos da talha

- | | |
|-------------------------------------|---------------------------------|
| 1 Chaves limitantes | 6 Batente de corrente |
| 2 Tampas de poeira do freio | 7 Saco de correntes |
| 3 Gancho giratório | 8 Porta de pilha tipo moeda |
| 4 Amortecedor de parada de corrente | 9 Tampa da extremidade da talha |
| 5 Compartimento de baterias | |

BATERIAS E CARREGADORES

- Utilize somente baterias e carregadores MILWAUKEE M18 com esta talha.
 - Recomenda-se o uso de uma bateria de 12,0 Ah para obter o melhor desempenho.

A tabela abaixo contém estimativas da quantidade de sustentação em diferentes capacidades de carga. Observe que estas são estimativas e o desempenho real dependerá das condições da bateria.

Tabela 32. Baterias e carregadores

Bateria	Carga (Tonelada)	Carga (kg)	* Curso do gancho [pés]	* Curso do gancho [m]
12,0 Ah	1/4	250	480	146
	1/2	500	300	91
	3/4	750	220	67
	1	1000	180	55

* Curso total estimado com elevação e descida iguais

CONTROLE REMOTO

Energia LIGADA

Para ligar o controle remoto:

- Pressione e solte o botão Ligar/Desligar (2).
 - Busca do controle remoto para a talha:
 - O LED de exibição de energia (1) pisca em verde de forma intermitente
 - O controle remoto e a talha estão conectados:
 - O LED de exibição de energia (1) está aceso a verde de forma constante
 - O sinal sonoro da talha soa por 3 segundos
 - Erro de conexão:
 - O LED de exibição de energia (1) pisca rapidamente em verde durante 4 segundos
 - O controle remoto é desligado

Energia DESLIGADA

Para desligar o controle remoto:

- Pressione e solte o botão de energia (2).
 - O LED de exibição de energia (1) é desligado
 - O controle remoto é desligado
 - A talha permanece ligada e entra em suspensão após 30 minutos

Desligamento automático

5 minutos após não utilização:

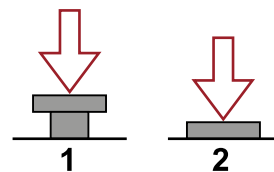
- O controle remoto é desligado

Elevar ou abaixar a carga da talha

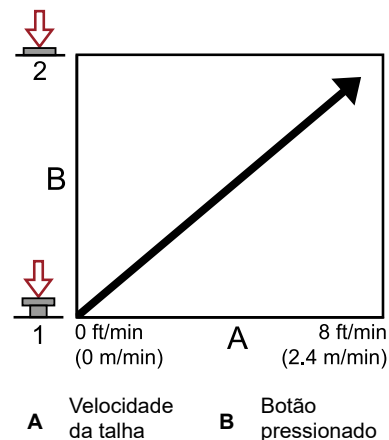
Para elevar a carga da talha pressione e mantenha pressionado o botão direcional PARA CIMA (4).

Para abaixar a carga da talha pressione e mantenha pressionado o botão direcional PARA BAIXO (3).

Pressionar o botão é proporcionalmente variável. A profundidade da pressão do botão controla a velocidade da talha.



- | | |
|-------------------|--------------------------|
| 1 Não pressionado | 2 Totalmente pressionado |
|-------------------|--------------------------|



A corrente da talha para quando o botão de direção for solto.

Se ambos os botões direcionais PARA CIMA (4) e PARA BAIXO (3) forem pressionados e mantidos pressionados simultaneamente, a talha interromperá o movimento. Ambos os botões devem ser soltos para que o movimento da carga possa continuar.

Parar



Para ativar a parada:

- A talha recebe o sinal Parada
- O movimento é interrompido imediatamente
- O controle remoto é desligado

Para resetar a parada:

1. Para ligar o controle remoto novamente, pressione o botão Ligar/Desligar,
 - O controle remoto se conecta à talha
 - O funcionamento normal é retomado

OBSERVAÇÃO: Desligue o controle remoto usando o botão PARADA para preservar a vida útil da bateria do controle remoto.

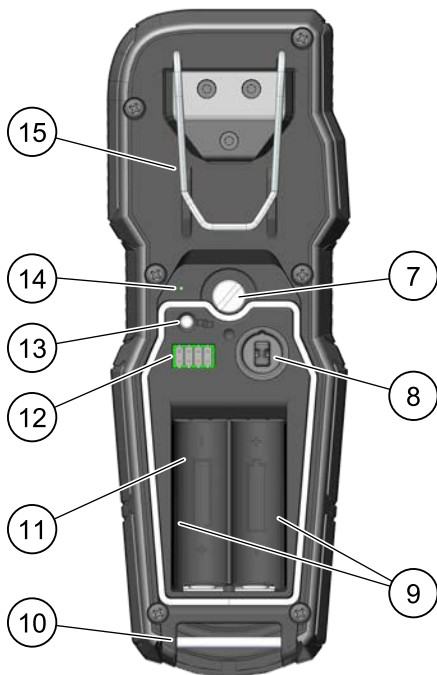


Figura 3. Parte traseira do controle remoto

- | | | | |
|----|---|----|--|
| 7 | Fixação com parafuso serrilhado | 12 | Porta de diagnóstico |
| 8 | Chave de desconexão elétrica removível | 13 | Botão e ícone de emparelhamento |
| 9 | Localização da etiqueta (lados do compartimento da bateria) | 14 | LED de exibição de emparelhamento/vinculação |
| 10 | Dobradiça da porta e fixação da cinta de transporte | 15 | Presilha para cinto |
| 11 | Compartimento de baterias AA | | |

OBSERVAÇÃO: O emparelhamento entre o controle remoto e a talha é feito na fábrica. Se for necessário um novo emparelhamento, siga as etapas abaixo.



Emparelhar o controle remoto e a talha

1. Certifique-se de que haja uma bateria inserida na talha desejada.
2. Remova as baterias de todas as outras talhas na área durante o processo de emparelhamento.
3. Pressione e mantenha pressionado o botão de emparelhamento durante 6 segundos.

Emparelhamento bem-sucedido entre a talha e o controle remoto:

- O LED de exibição de emparelhamento/vinculação fica a verde de forma contínua durante 5 segundos e se apaga
- O LED de exibição de energia fica a verde de forma contínua durante 5 segundos e se apaga

Se o emparelhamento não ocorrer após 5 segundos:

- O LED de exibição de emparelhamento/vinculação pisca rapidamente em verde durante 1 minuto
- O LED de exibição de energia pisca rapidamente a verde durante 1 minuto
- O controle remoto é desligado

INDICADORES E ALERTAS DE LED DE CONTROLE REMOTO

LED de exibição de energia

- Controle remoto ligado e conectado à talha
 - A exibição está aceso a verde de forma constante
- Bateria fraca no controle remoto (aproximadamente 4 horas de operação)
 - A exibição pisca lentamente a verde
- Modo de emparelhamento/vinculação
 - A exibição está intermitente a verde
- Emparelhamento/vinculação sem sucesso
 - A exibição pisca rapidamente a verde durante 1 minuto
- O controle remoto está DESLIGADO
 - A exibição está desligada
- A talha entra em modo de suspensão
 - O controle remoto é desligado
 - A exibição está DESLIGADA



Bateria fraca (a bateria de 12,0 Ah tem 25% status de carga)

- A exibição pisca lentamente a vermelho

Bateria descarregada

- A exibição está aceso a vermelho de forma constante
- A talha não funciona até que a bateria seja substituída
- A exibição está aceso a vermelho de forma constante
- A talha não funciona até que a bateria esteja dentro da temperatura normal de operação

Exibição de excesso da capacidade do peso



O botão direcional PARA CIMA (4) é pressionado enquanto a carga da talha está acima da capacidade de peso

- Indicador vermelho constante
- Sinal sonoro da talha

Indicador do operador



A talha está acima ou abaixo da temperatura de operação segura

- A exibição está aceso a vermelho de forma constante
- A talha não funciona até que sejam alcançadas a temperatura ou as condições de operação corretas de acordo com as especificações do produto

Erro na parte eletrônica da talha

- Indicador vermelho constante
- A talha não está funcionando

Exibição de inspeção



Se a inspeção da talha estiver vencida com base em um intervalo de 365 dias após a configuração inicial ONE-KEY™

- A exibição está aceso a vermelho de forma constante
- A talha ainda está funcionando

A inspeção da talha vence em 30 dias

- A exibição pisca lentamente a vermelho

Após a inspeção

- A exibição tem que ser apagada mediante o aplicativo ONE-KEY™ enquanto estiver conectado à talha

OBSERVAÇÃO: O indicador de inspeção acenderá 365 dias após a configuração inicial do ONE-KEY™, indicando que a inspeção anual é devida. A inspeção anual se baseia no uso normal. Para requisitos de operação normal, vide "Inspeção", página 80. Se a talha for usada em aplicações pesadas ou severas, talvez seja necessário realizar inspeções com mais frequência, o que pode ser configurado por meio do aplicativo ONE-KEY™.

O LED de exibição de emparelhamento/vinculação (localizado atrás da porta da bateria)

- Modo de emparelhamento/vinculação
 - A exibição está intermitente a verde
- Emparelhamento/vinculação bem sucedidos
 - A exibição é aceso a verde de forma constante durante 5 segundos
- Erro de emparelhamento/vinculação
 - A exibição pisca rapidamente a verde durante 1 minuto

Indicador de bloqueio de segurança



A talha é bloqueada via ONE-KEY™

- Todos os indicadores de alerta são em vermelho contínuo
- Consulte a seção ONE-KEY™ para obter instruções sobre como desbloquear a ferramenta.

ONE-KEY™

ATENÇÃO
RISCO DE QUEIMADURA QUÍMICA Este dispositivo contém uma célula de bateria do tipo botão/moeda. Uma bateria nova ou usada pode causar queimaduras internas graves e levar à morte em apenas 2 horas se for ingerida ou entrar no corpo
PARA EVITAR FERIMENTOS: Sempre prenda a tampa da bateria. Se não fechar bem, pare de usar o dispositivo, remova as baterias e mantenha-o longe do alcance das crianças. Se você acha que as baterias podem ter sido engolidas ou inseridas no corpo, procure atendimento médico imediato.

Bateria interna de célula tipo moeda

Uma bateria interna de célula tipo moeda é usada para facilitar a funcionalidade completa do ONE-KEY™.

Para substituir a bateria de célula tipo moeda:

1. **AVISO!** Remova a bateria da ferramenta para evitar o acionamento.
2. Solte o(s) parafuso(s) e abra a tampa da bateria.
3. Remova a bateria antiga, mantenha longe do alcance de crianças e faça o descarte apropriado.
4. Insira uma bateria nova (3V CR2032), com o lado positivo virado para cima.
5. Feche a tampa da bateria e aperte bem o(s) parafuso(s).

ONE-KEY™

Para saber mais sobre a funcionalidade do ONE-KEY™, acesse milwaukee.com/One-Key.

Para baixar o aplicativo ONE-KEY™, acesse a App Store® ou o Google Play™ do seu dispositivo móvel.

Indicador ONE-KEY™	
Azul contínuo	O modo sem fio está ativado e pronto para ser configurado por meio do aplicativo ONE-KEY™.
Azul piscante	A ferramenta mantém uma comunicação ativa com o aplicativo ONE-KEY™.
Vermelho piscante	A ferramenta está com bloqueio de segurança e pode ser desbloqueada pelo proprietário por meio do aplicativo ONE-KEY™.

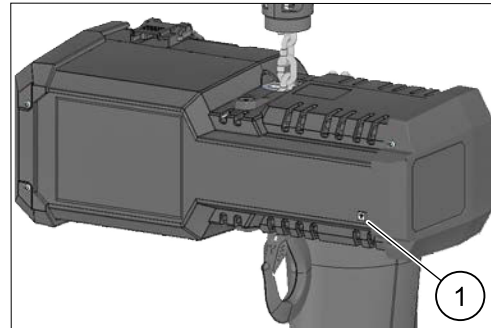


Figura 4. Indicador ONE-KEY™

- 1 Indicador ONE-KEY™

CHAVE DE DESCONEXÃO ELÉTRICA

Bloqueio do controle remoto

Para bloqueio do controle remoto:

1. Remova a tampa da bateria por meio do parafuso serrilhado.
2. Puxe e remova a chave de desconexão elétrica.
3. Tenha todo o cuidado para que a chave Desconexão Elétrica não seja perdida.
 - É recomendável colocá-la em um chaveiro.

Desbloqueio do controle remoto

Desbloqueio do controle remoto:

1. Remova a tampa da bateria por meio do parafuso serrilhado.
2. Insira a chave de desconexão elétrica em seu local, garantindo o alinhamento adequado.


CAUIDADO

A chave de desconexão elétrica deve ser removida e guardada em local seguro quando não houver ninguém supervisionando a talha.

INSTRUÇÕES E PROCEDIMENTOS DE OPERAÇÃO SEGURA

Para obter as precauções de segurança e uma lista de recomendações para a operação segura de talhas, *vide página 71*.

1. Permita que apenas pessoal competente opere a unidade.
2. Ao se preparar para elevar uma carga, certifique-se de que os acessórios do gancho estejam firmemente assentados na sela do gancho. Evite qualquer tipo de carregamento descentralizado, especialmente o carregamento na ponta do gancho.
3. **NÃO** permita que a carga encoste na trava do gancho. A trava serve para ajudar a manter o gancho na posição enquanto a corrente estiver frouxa, antes de pegar a corrente frouxa.

 ATENÇÃO
Permitir que a carga encoste na trava do gancho e/ou na ponta do gancho pode resultar na perda da carga.
PARA EVITAR FERIMENTOS: Não permita que a carga e/ou os acessórios encostem na trava do gancho e/ou na ponta do gancho. Aplique a carga somente na curva do gancho ou na sela.

4. **NÃO** enrole a corrente de carga ao redor da carga e enganche-a nela mesma como uma corrente de estrangulamento.
Isso resultará em:
 - A perda da capacidade giratória do gancho, que pode resultar em uma corrente torcida e em uma roda de elevação emperrada.
 - A chave de limite superior é tornado obsoleto e a carga pode colidir com a talha.
 - A corrente pode ser danificada pelo gancho.
5. Antes de elevar a carga, verifique se há torções na corrente de carga.
6. Mantenha-se afastado de todas as cargas e evite mover uma carga por cima das cabeças de outras pessoas. Avise o pessoal sobre suas intenções de transportar uma carga na área deles.
7. **NÃO** deixe a carga suspensa no ar sem supervisão.
8. **NÃO** utilize este ou qualquer outro equipamento de manuseio de materiais suspenso para elevar pessoas.
9. **NÃO** carregue a talha além da capacidade nominal informada na placa de identificação.
10. Avise o pessoal sobre suas intenções de elevar uma carga na área. Amarre a carga com correntes ou cabos auxiliares antes de permitir o acesso à área por baixo da carga.
11. Elimine a folga de uma corrente de carga frouxa com cuidado e inicie a elevação com facilidade para evitar choques e solavancos na corrente de carga da talha. Se houver qualquer evidência de sobrecarga, abaixe imediatamente a carga e retire a carga excessiva.
12. Na elevação, eleve a carga apenas o suficiente para ficar acima do piso ou do suporte e verifique se as fixações do gancho e da carga estão firmemente assentes. Continue a elevação somente quando tiver certeza de que a carga está livre de todas as obstruções.
13. **NÃO** permita que a carga balance ou gire durante o içamento.
14. Nunca opere a talha na presença de materiais ou vapores inflamáveis. Os dispositivos elétricos produzem arcos voltaicos ou faíscas que podem causar incêndio ou explosão.
15. **FIQUE ALERTA!** Observe o que você está fazendo e use o bom senso. Não use a talha quando estiver cansado, distraído ou sob a influência de drogas, álcool ou medicamentos que causem diminuição do controle.

INSPEÇÃO

Para manter uma operação contínua e satisfatória, é necessário iniciar um procedimento de inspeção regular para substituir as peças desgastadas ou danificadas antes que elas se tornem inseguras. Os intervalos de inspeção devem ser determinados pela aplicação individual e se baseiam no tipo de serviço ao qual a talha será submetida.

O tipo de serviço ao qual a talha é submetida pode ser classificado como "Normal", "Pesado" ou "Severo".

Serviço normal

Envolve a operação com cargas distribuídas aleatoriamente dentro do limite de carga nominal, ou cargas uniformes inferiores a 65% da carga nominal durante nunca mais do que 25% do tempo.

Serviço pesado

Envolve a operação da talha dentro do limite de carga nominal que ultrapassa o serviço normal.

Serviço severo

Serviço normal ou pesado com condições operacionais anormais ou exposição constante aos elementos da natureza.


Devem ser realizadas duas classes de inspeção, a frequente e a periódica.

Inspeções frequentes

Essas inspeções são exames visuais realizados pelo operador ou por outra pessoa designada. Não são necessários registros dessas inspeções. As inspeções frequentes devem ser realizadas mensalmente para serviço normal, semanalmente para serviço pesado e diariamente para serviço severo, e devem incluir os itens aqui listados, *vide "Tab. 34: Inspeções frequentes mínimas", página 81*.

Inspeções periódicas

Essas inspeções são exames visuais das condições externas por uma pessoa designada. Os registros das inspeções periódicas devem ser mantidos para avaliação contínua das condições da talha. As inspeções periódicas devem ser realizadas anualmente para serviço normal, semestralmente para serviço pesado e trimestralmente para serviço severo, e devem incluir os itens aqui listados, *vide "Tab. 35: Inspeções periódicas mínimas", página 82*.

 CUIDADO
Qualquer uma das deficiências encontradas durante as inspeções deve ser corrigida antes que a talha volte ao serviço. Além disso, as condições externas podem mostrar a necessidade de desmontagem para permitir uma inspeção mais detalhada, o que, por sua vez, pode exigir o uso de testes do tipo não destrutivo.

MANUTENÇÃO PREVENTIVA

Além do procedimento de inspeção acima, um programa de manutenção preventiva deve ser estabelecido para prolongar a vida útil da talha e manter sua confiabilidade e uso seguro contínuo. O programa deve incluir inspeções periódicas e frequentes, com atenção especial à lubrificação dos vários componentes usando os lubrificantes recomendados.

CRITÉRIOS DE INSPEÇÃO PARA A SUSPENSÃO

1. Assegure-se de que o retentor do pino de suspensão (1) não tenha fissuras e defeitos e que o parafuso esteja presente e apertado.

Ao reinstalar o parafuso de retenção:

1. Certifique-se de que as roscas estejam limpas e secas.
2. Aplique trava-roscas de resistência média no parafuso retentor (2).



Figura 5. Retentor do pino de suspensão/parafuso retentor

- 1 Retentor do pino de suspensão 2 Parafuso de retenção

CRITÉRIOS DE REMOÇÃO DE GANCHOS

- Identificação de carga nominal ausente ou ilegível, ou identificação ilegível do fabricante do gancho, ou identificação do fabricante secundário.
- Pontos corroídos ou corrosão excessivos.
- Fissuras, cortes ou arranhões.
- Desgaste - qualquer desgaste que exceda 10% da dimensão da seção original do gancho ou de seu pino de carga.
- Deformação - qualquer dobra ou torção visivelmente aparente em relação ao plano do gancho não dobrado.

- Abertura da garganta - qualquer distorção que cause um aumento de 5% na abertura da garganta, não excedendo 1/4" (6 mm).
- Incapacidade de travar - qualquer gancho de travamento automático que não trava.
- Trava inoperante - qualquer trava danificada ou com mau funcionamento que não feche a abertura do gancho.
- Desgaste, dano ou corrosão da rosca.
- Evidência de exposição excessiva ao calor ou de soldagem não autorizada.
- Evidência de alterações não autorizadas, como perfuração, usinagem, retificação ou outras modificações.

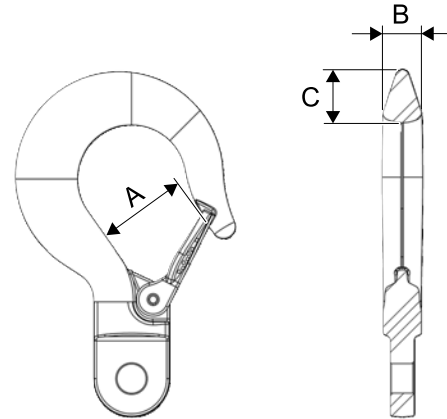


Figura 6. Critérios de remoção de ganchos

Tabela 33. Critérios de remoção de ganchos

Dimensão do gancho	Critérios (mm)	
A	Nominal: 38	Máx.: 39,9
B	Nominal: 15	Mín.: 13,5
C	Nominal: 22	Mín.: 19,8

Tabela 34. Inspeções frequentes mínimas

Tipo de serviço			Item
Normal	Pesado	Severo	
Mensal-mente	Semanal até mensalmente	Diário até semanalmente	a) Freios para sinais de deslizamento ou recuo.
			b) Funções de controle quanto à operação devida.
			c) Ganchos para danos, rachaduras, torções, abertura excessiva da garganta, engate da trava e operação da trava, <i>vide "Critérios de remoção de ganchos", página 81.</i>
			d) Corrente de carga para lubrificação adequada, bem como sinais de desgaste, elos danificados ou corpos estranhos, <i>vide "Inspeção da corrente de carga", página 82.</i>
			e) Corrente de carga quanto à inserção adequada e a torções.

Tabela 35. Inspeções periódicas mínimas

Tipo de serviço			Item
Normal	Pesado	Severo	
Anual- mente	A cada seis meses	A ca- da três meses	a) Todos os itens listados para inspeções frequentes, vide "Tab. 34: Inspeções frequentes mínimas", página 81.
			b) Evidência externa de parafusos, porcas ou parafusos soltos.
			c) Evidência externa de bloco de gancho desgastado, corroído, rachado ou deformado, parafusos de suspensão, engrenagens, rolamentos, bloco morto.
			d) Evidência externa de danos ao conjunto inferior do gancho. Verifique também a suspensão superior, certificando-se de que o parafuso de retenção esteja presente e apertado.
			e) Evidência externa de danos ou desgaste excessivo dos alojamentos da roda de elevação. O alargamento e o aprofundamento dos alojamentos podem fazer com que a corrente se eleve no alojamento, resultando em um atrito entre a roda de elevação e as guias da corrente. Verifique também se há desgaste ou rebarbas na guia da corrente, onde a corrente entra na talha. Peças muito desgastadas ou danificadas devem ser substituídas.
			f) Evidência externa de desgaste excessivo das peças do freio, vide "Limpeza e substituição dos freios", página 84.
			g) Verifique a operação do controle remoto e verifique se os botões operam livremente e não ficam presos em uma única posição.
			h) Inspeção o compartimento do controle remoto para verificar se há danos no isolamento.
			i) Inspeção os componentes da suspensão quanto a danos, rachaduras, desgaste e ao funcionamento. Verifique também o parafuso de retenção do gancho e certifique-se de que ele esteja apertado com o torque devido.
			j) Inspeção o batente da corrente da extremidade solta e o amortecedor. Substitua as peças desgastadas ou torcidas.
			k) Inspeção o olhal de suspensão ou o gancho quanto a excesso de folga ou rotação. Substitua as peças desgastadas conforme o resultado de excesso de folga ou rotação.
l) Verifique se há vestígios de vazamento de lubrificante na caixa de engrenagens.			

INSPEÇÃO DA CORRENTE DE CARGA

A corrente deve ser inspecionada em intervalos regulares, com um mínimo de uma vez por ano. À medida que a frequência de uso aumenta, os intervalos de tempo entre as inspeções devem ser reduzidos. Durante a inspeção, cada elo da corrente deve ser examinado em todo o seu comprimento, inclusive as partes ocultas. Se o equipamento de elevação for usado com frequência com uma distância de elevação constante ou, em outras palavras, se a mudança de cima para baixo ocorrer com frequência na mesma área, será necessária uma inspeção e lubrificação particularmente minuciosas nessa área. A corrente desgastada também pode ser uma indicação de componentes da talha desgastados. Por esse motivo, as guias da corrente da talha, os blocos do gancho e a roda de elevação (roda dentada) devem ser examinados quanto ao desgaste e também substituídos conforme necessário ao substituir a corrente.

1. Verifique se a corrente está suja ou mal lubrificada vide "Lubrificação da talha", página 84.
2. Limpe a corrente com um solvente não cáustico/não ácido e faça uma inspeção de cada para verificar se há desgaste, rachaduras, torção ou deformação. Substitua a corrente se apresentar qualquer um desses defeitos.
3. Afrouxe a parte da corrente que normalmente passa sobre a roda de elevação (roda dentada). Examine os elos da corrente quanto a desgaste (vide Fig. 7). Se o diâmetro do metal em qualquer parte do elo for inferior a 90% do diâmetro nominal do metal, substitua a corrente.

OBSERVAÇÃO: O passo nominal em 11 elos é de 8,25 polegadas (209,5 mm). No entanto, a comparação do passo das seções desgastadas com as seções não desgastadas é considerada uma boa prática e é recomendada pelo fabricante.

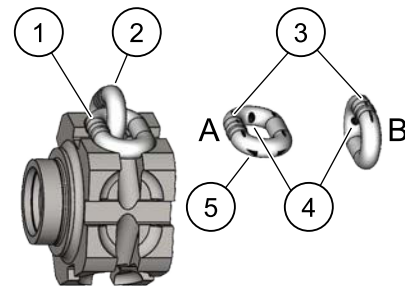


Figura 7. Áreas de desgaste da corrente

- | | |
|-------------------------------------|---------------------------------------|
| A Marcas de posição plana | 3 Marcas de guia da corrente |
| B Marca de posição levantada | 4 Marcas de contato levantadas |
| 1 Elo de posição plana | 5 Áreas de desgaste |
| 2 Elo levantado | |

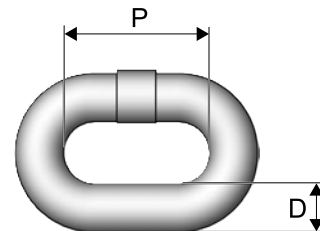


Figura 8. Dimensões da corrente

- | | |
|------------------------|------------------------------------|
| P Passo nominal | D Diâmetro nominal do metal |
|------------------------|------------------------------------|

Tabela 36. Dimensões da corrente

P	D
19,05 mm (0,750 pol.)	6,3 mm (0,250 pol.)

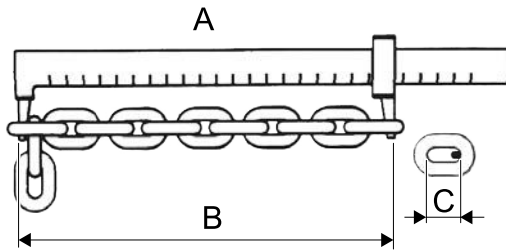


Figura 9. Medição do desgaste da corrente de carga

- A Paquímetro Vernier C Um passo
 B Medida de 11 passos

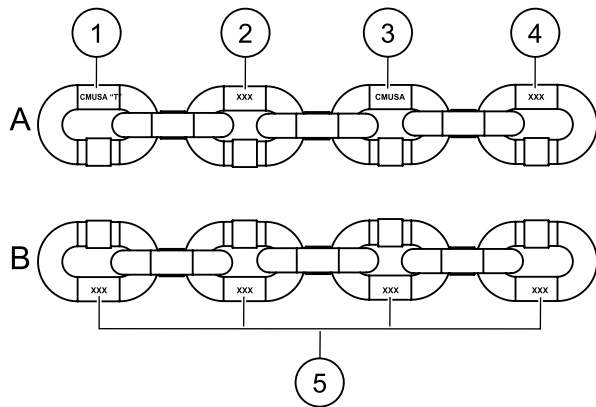


Figura 10. Gravação da corrente

- A Frente 3 CMUSA
 B Traseira 4 Cód. de seguimento (3 dígitos)
 1 CMUSA "T" 5 Data juliana (3 dígitos)
 2 Número do relógio (3 dígitos)

Use somente correntes de carga originais da Classificação T e peças de reposição originais do fabricante. O uso de outras correntes e peças pode ser perigoso e anula a garantia de fábrica.

OBSERVAÇÃO: Não use a corrente substituída para outros fins, como levantar ou puxar. A corrente de carga pode romper repentinamente sem anterior deformação visual. Por esse motivo, corte a corrente substituída em pedaços curtos para evitar o uso após o descarte.

ATENÇÃO	
O uso de correntes e peças do comércio ou de outros fabricantes para consertar talhas pode causar perda da carga.	
PARA EVITAR FERIMENTOS:	
Use somente correntes de carga e peças de reposição fornecidas pelo fabricante. A corrente e as peças podem parecer semelhantes, mas correntes e peças do fabricante são feitas de um material específico ou processadas para obter propriedades específicas.	

REMOÇÃO E INSTALAÇÃO DA CORRENTE DE CARGA

ATENÇÃO	
A instalação (inserção) incorreta da corrente de carga pode resultar em uma queda da carga.	
PARA EVITAR FERIMENTOS/DANOS:	
<ul style="list-style-type: none"> • Verifique o uso do tamanho e do tipo adequados da corrente de carga da talha para a talha específica. • Instale a corrente de carga devidamente, conforme indicado abaixo. 	

O primeiro método é recomendado para a substituição de correntes de carga muito desgastadas e requer a desmontagem da talha. O método dois não requer a desmontagem da talha.

OBSERVAÇÃO: Ao substituir a corrente, é fundamental que ela esteja orientada com as soldas nos elos verticais LONGE da roda de elevação.

Método 1

- Retire a bateria da talha.
- Retire o batente da corrente da extremidade solta e o bloco do gancho inferior da corrente.
- Continue a desmontar a talha e inspecione a roda de elevação, as guias de corrente, a carcaça do motor e a carcaça da engrenagem. Se algum desses componentes estiver desgastado ou danificado, poderá ocorrer uma falha prematura da nova corrente. As peças podem ser facilmente identificadas na lista de peças.
- Se os bolsos da roda de elevação, especialmente as extremidades, estiverem desgastados ou marcados, substitua a roda de elevação. Se as guias e as carcaças da corrente estiverem desgastadas, rachadas ou danificadas, essas peças também deverão ser substituídas.
- Remonte a talha com a nova corrente de carga inserida sobre a roda de elevação. Posicione a corrente com a solda nos elos de posição levantada longe da roda de elevação e deixe aproximadamente 0,3 m (1 pé) de corrente suspensa livremente no lado da extremidade solta.

OBSERVAÇÃO: Para simplificar o manuseio ao remontar a talha, um pedaço curto e não danificado da corrente antiga pode ser usado como "corrente de partida". Posicione esse pedaço de corrente da mesma maneira explicada acima para a "corrente nova" e conclua a remontagem da talha. Consulte o método 2 abaixo para obter mais detalhes sobre o uso da corrente de partida.

- Reinstale o batente da corrente da extremidade solta e o amortecedor.
- Prenda o bloco do gancho e o amortecedor à nova corrente de carga.

Método 2

- Retire o batente da corrente da extremidade solta e o bloco do gancho inferior da corrente.
- Trate a corrente de carga antiga na talha como uma "corrente de partida" e use o elo da extremidade solta para servir como um elo de acoplamento temporário.
- Conecte a corrente de partida à talha e à nova corrente de carga a ser instalada. Certifique-se de que a nova corrente esteja orientada corretamente, com as soldas voltadas para o lado oposto ao da roda de elevação.
- Sob energia, passe a nova corrente de carga pela área da roda de elevação, substituindo a corrente de partida na unidade. Passe um pedaço de corrente suficiente para prender o batente de corrente da extremidade solta.

- e) Reinstale o batente da corrente da extremidade solta e o amortecedor.
- f) Prenda o bloco do gancho e o amortecedor à nova corrente de carga.

MANUTENÇÃO

LIMITADOR DE CARGA

O limitador de carga deve funcionar sem manutenção durante a vida útil normal da talha. O dispositivo foi calibrado na fábrica para um modelo específico de talha.

ATENÇÃO
Os lubrificantes usados e recomendados para a talha podem conter materiais perigosos que exigem procedimentos específicos de manuseio e descarte.
PARA EVITAR O CONTATO E A CONTAMINAÇÃO: Manuseie e descarte os lubrificantes somente conforme indicado nas folhas de dados de segurança de materiais aplicáveis e de acordo com as regulamentações locais, estaduais e federais aplicáveis.

LUBRIFICAÇÃO DA TALHA

ENGRENAGENS

OBSERVAÇÃO: Para garantir uma vida útil longa e um desempenho superior, as várias peças da talha devem ser lubrificadas com os lubrificantes especificados. Se desejar, esses lubrificantes podem ser comprados do fabricante. Consulte a lista de peças on-line para obter os lubrificantes necessários.

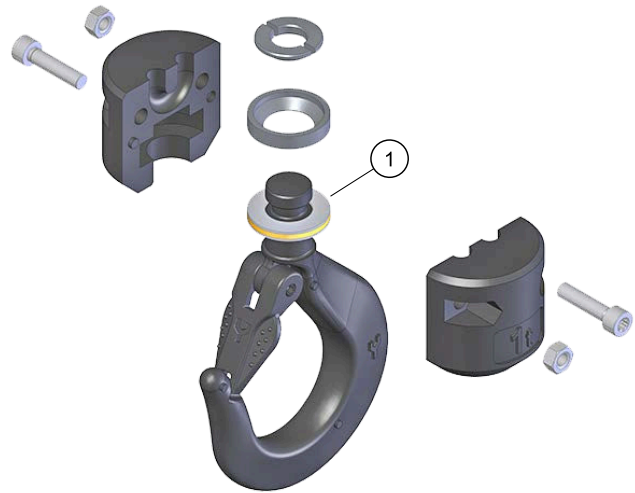
A caixa de engrenagens é preenchida com graxa durante a montagem e não deve precisar ser substituída, a menos que as engrenagens tenham sido removidas da carcaça e desengraxadas. **Não tente reparar ou fazer manutenção na caixa de engrenagens planetárias.**

Se as engrenagens forem removidas da carcaça, limpe o excesso de graxa com um pano macio e desengraxe as engrenagens e as carcaças. Após a remontagem, adicione graxa às engrenagens e à carcaça.

- Tipo de graxa necessário: Fuchs Lubricants Co. Stabyl HT 100 ou equivalente
- Volume de graxa necessário: 44 ml (1,5 fl.oz)

ROLAMENTOS

Todos os rolamentos e buchas, exceto o rolamento axial do gancho inferior, são pré-lubrificadas e não requerem lubrificação. O rolamento axial do gancho inferior deve ser lubrificado pelo menos uma vez por mês com graxa Dow Corning Molykote BR-2-5 ou equivalente. Aplique uma camada fina em ambos os lados do rolamento. Não deixe que a graxa entre nas rosca do fixador.



1 Rolamento axial

GUIAS DA CORRENTE E RODA DE ELEVAÇÃO

Quando a talha for desmontada para inspeção e/ou reparo, as guias da corrente e a roda de elevação deverão ser lubrificadas antes da remontagem com Lubriplate® Bar and Chain Oil 10-R (Fiske Brothers Refining Co.), ou equivalente. O lubrificante deve ser aplicado em quantidade suficiente para obter um escoamento natural e a cobertura total dessas peças.

CORRENTE DE CARGA

Uma pequena quantidade de lubrificante aumentará muito a vida útil da corrente de carga. Não permita que a corrente fique seca.

Mantenha a corrente limpa e lubrifique-a regularmente com Lubriplate Rock Drill Oil 10-R (Fiske Brothers Refining Co.), Citgo Rock Drill Oil 46 ou equivalente. Normalmente, a lubrificação e a limpeza semanais são satisfatórias, mas, em condições de calor e sujeira, pode ser necessário limpar a corrente pelo menos uma vez por dia e lubrificada várias vezes entre as limpezas.

Ao lubrificar a corrente, aplique lubrificante suficiente para obter um escoamento natural e uma cobertura total, especialmente na área de interligação.

ATENÇÃO
Os óleos de motor usados contêm materiais reconhecidamente carcinogênicos.
PARA EVITAR PROBLEMAS DE SAÚDE: Nunca use óleos de motor usados como lubrificante de corrente. Use somente os lubrificantes recomendados para as correntes de carga.

ACABAMENTO EXTERIOR

As superfícies exteriores dessa talha são feitas de um polímero durável que não requer manutenção. As superfícies externas podem ser limpas com um pano.

LIMPEZA E SUBSTITUIÇÃO DOS FREIOS

LIMPEZA DO FREIO

Para evitar o acúmulo excessivo de poeira dos freios, siga o procedimento abaixo a cada 20 horas de operação.

Remova os protetores contra poeira da carcaça externa e use um aspirador de pó adequado para remover o excesso de poeira do freio.

OBSERVAÇÃO: Use um dispositivo adequado de extração de poeira com, no mínimo, um filtro HEPA, e EPI adequado para evitar a exposição a partículas de poeira.

AJUSTE/SUBSTITUIÇÃO DO FREIO

Os freios da talha podem precisar de ajustes periódicos durante a vida útil da unidade. A distância de descida da carga imediatamente após o levantamento é chamada de recuo. Se o recuo ao levantar a carga nominal exceder duas polegadas, será necessário ajustar o freio. Um técnico qualificado pode seguir as etapas abaixo para desmontar e ajustar o conjunto do freio para restaurar o bom funcionamento.

Desmonte a unidade para acessar os componentes do freio. Consulte Fig. 11 abaixo e remova o anel de pressão e o acionador do cubo do freio. Para o ajuste, aperte manualmente o cubo do freio para instalar completamente todos os componentes. Reinstale o acionador do cubo, certificando-se de que o ponteiro do acionador do cubo esteja dentro da zona de alinhamento, conforme mostrado abaixo em Fig. 12. O cubo do freio deve permanecer apertado durante o processo de alinhamento para a devida orientação.

Para substituição, remova todas as peças de freio existentes mostradas em Fig. 11. Certifique-se de que todas as peças estejam limpas e que as quatro molas estejam instaladas na estrutura durante a remontagem. Aplique delicadamente uma camada fina de graxa Molykote® 41 Extreme High Temperature às roscas do cubo do freio (item 5). Tome cuidado para que a graxa não entre em contato com as superfícies de fricção. Siga o procedimento de ajuste do freio descrito acima depois de instalar as peças restantes do freio.

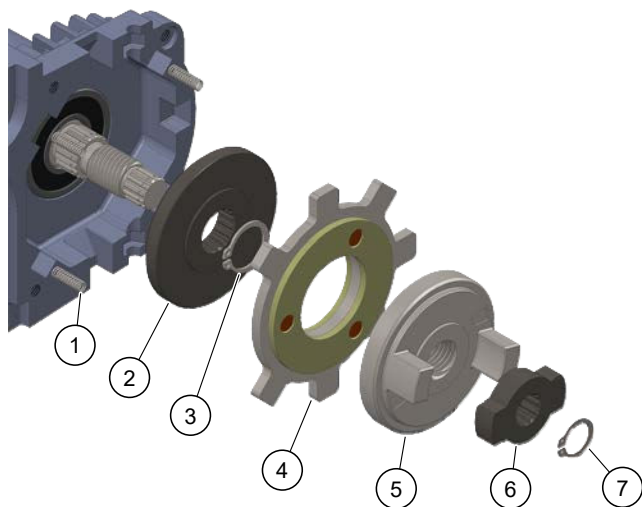


Figura 11. Conjunto do freio

Tabela 37. Conjunto do freio

N.º de ITEM	DESCRIÇÃO	QUANT.
1	MOLA DO FREIO	4
2	CONTRA-DISCO	1
3	ANEL DE RETENÇÃO – 19x1,2	1
4	DISCO DE BLOQUEIO	1
5	CUBA DO FREIO	1
6	ACIONADOR DO CUBO	1
7	ANEL DE RETENÇÃO - 14x1	1

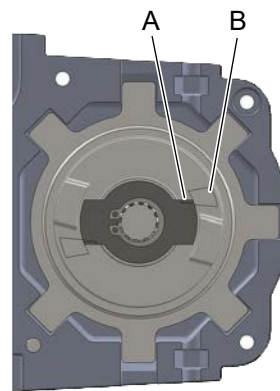


Figura 12. Alinhamento do freio

- A** Ponteiro do acionador do freio **B** Zona de alinhamento freio

SOLUÇÃO DE PROBLEMAS

Tabela 38. Solução de problemas

Problema	Causa provável	Solução
O gancho não responde ao dispositivo de controle remoto.	Tensão baixa ou inexistente na bateria da talha	Verifique o "Indicador da bateria M18" no controle remoto
	Tensão baixa ou inexistente na bateria do controle remoto	Verifique/substitua as baterias do controle remoto
	O controle remoto não está conectado à talha	Pressione o botão Ligar/Desligar para conectar o controle remoto à sua talha
	Os limites superior ou inferior pararam o movimento da talha	Essa é uma operação esperada
	Carga excessiva	Verifique a "Exibição de excesso de capacidade de peso" no controle remoto
	Conexões soltas na talha	Inspecione as conexões
O gancho se move na direção errada.	O controle remoto é mantido de cabeça para baixo	
O gancho desce, mas não subirá	Carga excessiva (limitador de carga ativo)	Verifique a "Exibição de excesso de capacidade de peso" no controle remoto
	Nó de corrente	Desembaraçar a corrente
	A posição limite superior foi atingida	Essa é uma operação esperada
	Circuito de elevação aberto - aberto; contatos do controle remoto com defeito	Substitua o controle remoto
O gancho sobe, mas não descerá	Circuito de elevação aberto - aberto; contatos do controle remoto com defeito	Substitua o controle remoto
	Nó de corrente	Desembaraçar a corrente
	A posição limite inferior foi atingida	Essa é uma operação esperada
O gancho desce sem o controle da talha está sendo operado	Carga excessiva aplicada do lado de fora	Certifique-se de que a carga da talha seja conhecida e abaixo da capacidade nominal
	O freio chegou ao fim da vida útil	Inspecione e substitua o freio
O gancho não para imediatamente	Deslizamento do freio devido à contaminação	Abra as tampas de inspeção e verifique se há fluidos, etc.
	O freio chegou ao fim da vida útil	Verifique o deslocamento da carga depois de parar a elevação
A talha opera de forma lenta	Carga excessiva	Verifique a "Exibição de excesso de capacidade de peso" no controle remoto
	Arrasto do freio	Inspecione e ajuste o freio
	Corrente de carga desgastada	Verifique o desgaste da corrente
O indicador do operador acende	Carga excessiva	Verifique a "Exibição de excesso de capacidade de peso" no controle remoto
	A relação entre o tempo ocioso e o tempo de funcionamento é inferior a 4 (excedendo a classificação de 20% do ciclo de trabalho)	Aumente o tempo ocioso
	A talha é usada continuamente por mais de 7,5 min (excedendo a especificação de tempo curto)	Reduza o tempo de operação contínua (a partir do estado frio) para 7,5 minutos ou menos
O gancho não para em uma ou ambas as extremidades do curso	Componentes em falta, soltos ou danificados	Inspecionar
O ponto de parada do gancho varia	Componentes em falta, soltos ou danificados	Inspecionar
	O freio não está segurando	Inspecione o freio

PROCEDIMENTO DE DESCIDA MANUAL

A talha pode ser operada manualmente usando uma furadeira elétrica e um soquete sextavado SAE 3/16".

1. Remova a tampa da extremidade da talha (1) no lado do motor da talha removendo os quatro parafusos (2) conforme mostrado abaixo.
2. Retire a tampa do eixo do motor (3) fixada pelos dois parafusos (4).
3. Use uma furadeira e um soquete sextavado para girar o eixo do motor (5) no sentido anti-horário para abaixar a carga ou no sentido horário para levantá-la.
4. Recoloque a tampa do eixo do motor (3) e a tampa da extremidade da talha (1).

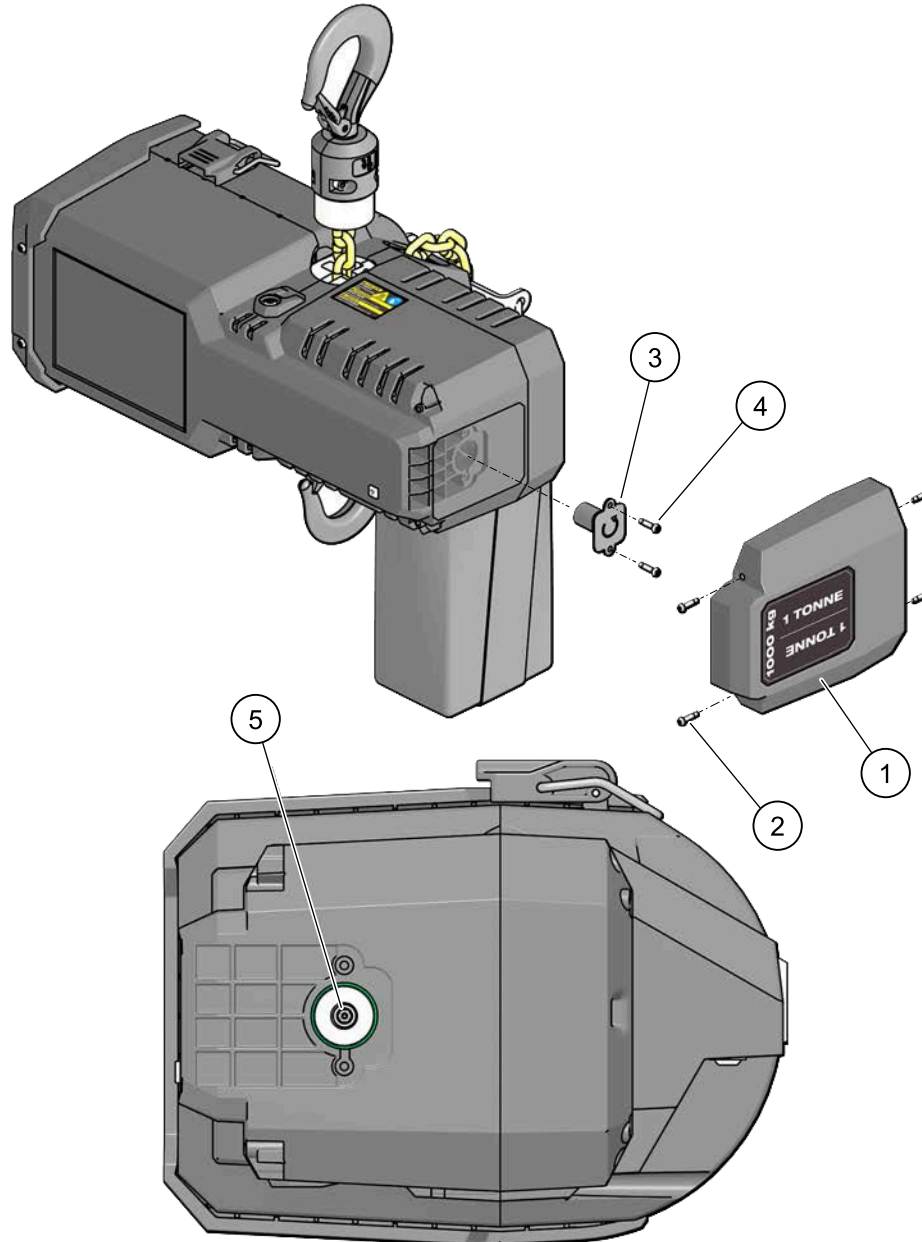


Figura 13. Procedimento de descida manual

DADOS TÉCNICOS

ESPECIFICAÇÃO DE TORQUE

Tabela 39. Especificação de torque

Fixador	Descrição do fixador	Ferramenta necessária	* Torque de assentamento recomendado	
			em lbs	Nm
Parafusos de carcaça central	Parafuso de cabeça M6 TORX	Chave T30 TORX	89	10
Parafuso de perno de suspensão	Parafuso de cabeça M4 TORX	Chave T20 TORX	30	3.5
Parafusos do bloco do gancho inferior	Parafuso de cabeça M6 TORX	Chave T30 TORX	89	10
Batente de corrente	Parafuso de cabeça M6 TORX	Chave T30 TORX	89	10
Suporte para saco de corrente	Parafuso de cabeça M6 TORX	Chave T30 TORX	89	10
Tampas de poeira do freio	Parafuso de cabeça redondo M6 TORX	Chave T30 TORX	89	10
Parafusos de carcaça de plástico	Parafuso de cabeça M4 TORX	Chave T20 TORX	17	2
Amortecedores de tampa da extremidade da talha	Parafuso de cabeça M4 TORX	Chave T20 TORX	7	1
Cobertura do eixo do motor	Parafuso de cabeça M4 TORX	Chave T20 TORX	7	1
Tampa da pilha tipo moeda	Parafuso de cabeça M4 TORX	Chave T20 TORX	9	1

* Todos os valores de torque se referem a fixadores limpos e secos com trava-rosca pré-aplicado.
NÃO aplique óleo ou qualquer outro lubrificante nas rosca dos fixadores.
O valor do torque deve ser reduzido em 20% ao aplicar um trava-rosca líquido.



Siga todas as instruções e avisos para a inspeção, manutenção e operação desse talha.

PEÇAS E SERVIÇOS PARA TALHAS

LISTAS DE PEÇAS

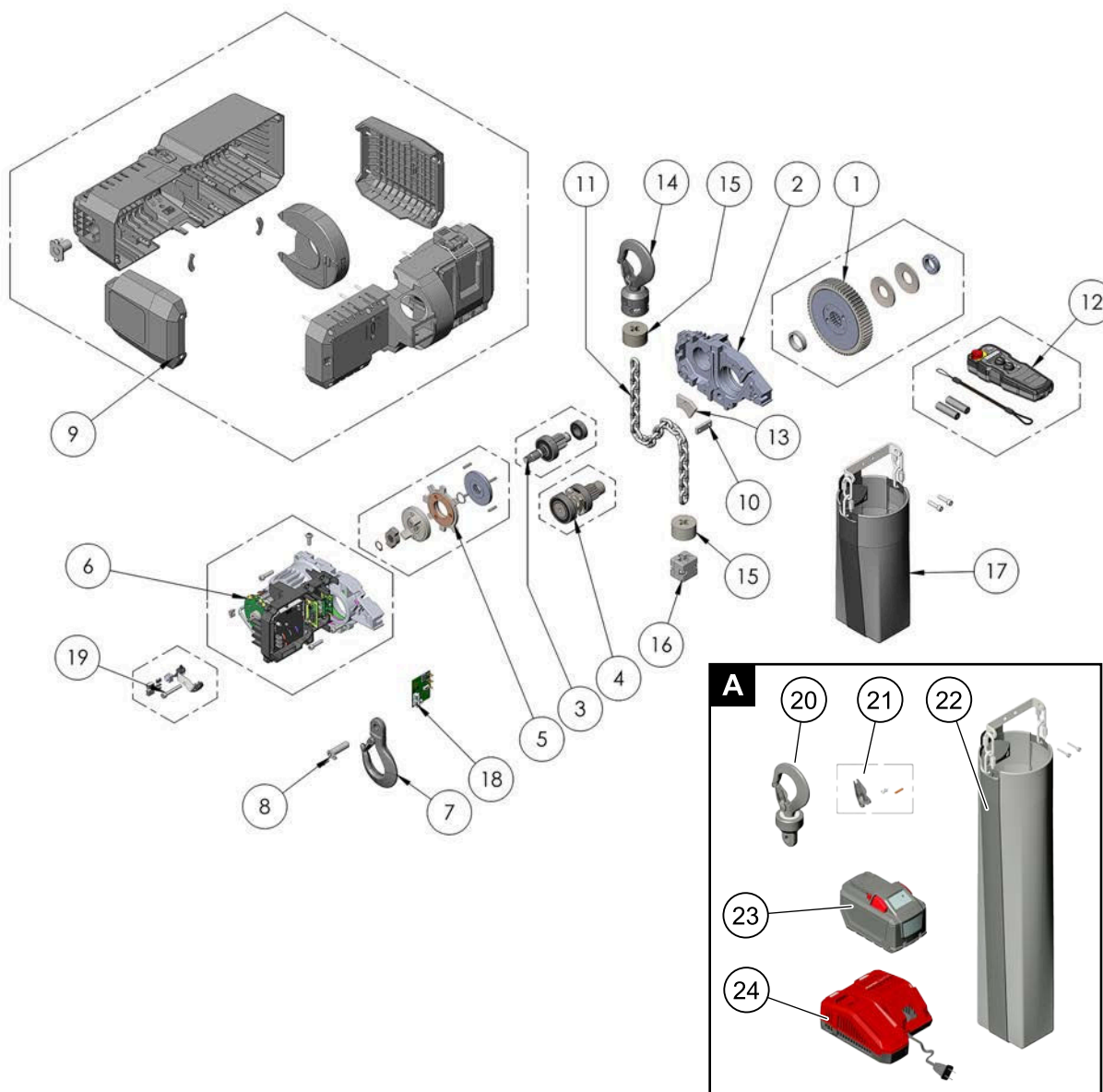


Figura 14. Peças da talha

Tabela 40. Listas de Peças

N.º de ITEM	N.º de PEÇA	DESCRIÇÃO	QUANT.
1	192098915	CONJUNTO DE EMBREAGEM	1
2	192087948	CARÇAÇA CENTRAL DO LADO DA ENGRENAGEM	1
3	192098916	CONJUNTO DE EIXO DE TRANSMISSÃO	1
4	192098918	CONJUNTO DE RODA DE ELEVAÇÃO	1
5	192098917	CONJUNTO DE PEÇAS DO FREIO	1
6	192098913	CONJUNTO DE MONTAGEM DO LADO DO MOTOR	1
7	192087967	MONTAGEM DO GANCHO SUPERIOR	1
8	192098905	CONJUNTO DE PINOS DE GANCHO	1
9	192098903	CONJUNTO DE PLÁSTICOS	1

N.º de ITEM	N.º de PEÇA	DESCRIÇÃO	QUANT.
10	192094186	PORCA DESLIZANTE	1
11	636224	CORRENTE DE CARGA DE TIPO 0,250 T	21
12	192098906	KIT DO CONTROLE REMOTO	1
13	192087964	SAÍDA DE CORRENTE	1
14	192089989	MONTAGEM DO BLOCO INFERIOR	1
15	192089493	AMORTECEDOR DE PARADA DE CORRENTE	2
16	192091312	CONJUNTO DE PARADA DE CORRENTE	1
17	192098908	CONJUNTO DE SACO DE CORRENTE, 11 POL.	1
18	192098912	CONJUNTO PCB DE TALHA	1
19	192098918	CONJUNTO DE CHAVE DE LIMITE	1
PEÇAS OPCIONAIS A			
20	192095276	GANCHO GIRATÓRIO	1
21	00400450	CONJUNTO DE TRAVA DE 1 TONELADA	1
22	192098911	CONJUNTO DE SACO DE CORRENTE, 23 POL.	1
23	192098605	COMBUSTÍVEL M18 12 AH - BATERIAS	1
24	192098607	CARREGADOR RÁPIDO M18	1

AS PEÇAS PARA A SUA TALHA ESTÃO DISPONÍVEIS NA ESTAÇÃO DE SERVIÇO AUTORIZADA LOCAL. PARA OBTER O NOME DO CENTRO DE PEÇAS OU DE SERVIÇOS MAIS PRÓXIMO, VISITE NOSSO SITE www.cmco.com

INSTRUÇÕES PARA PEDIDOS

As informações a seguir devem acompanhar todos os pedidos por correspondência de peças de reposição:

- Modelo da talha e números de série da placa de identificação do produto.

OBSERVAÇÃO: Ao pedir peças de reposição, é recomendável considerar a necessidade de pedir também itens como gaxetas, parafusos e cintas, etc. Esses itens podem ser danificados ou perdidos durante a desmontagem ou simplesmente impróprios para uso futuro devido à deterioração causada pela idade ou pelo serviço

GARANTIA

LIMITAÇÃO DE GARANTIAS, CORREÇÕES E DANOS

Indenização e operação segura

O Comprador deverá cumprir e exigir que seus funcionários cumpram as instruções estabelecidas nas instruções e nos manuais fornecidos pelo Vendedor e deverá usar e exigir que seus funcionários sigam essas instruções e manuais e tomem cuidado razoável no uso e na manutenção dos Bens e de quaisquer Peças de Reposição. O Comprador não deverá remover ou permitir que alguém remova qualquer sinal de aviso ou instrução nos Bens ou nas Peças de Reposição. Em caso de lesão pessoal ou dano à propriedade ou ao negócio decorrente do uso dos Bens ou das Peças de Reposição, o Comprador deverá, no prazo de 48 horas, notificar o Vendedor por escrito de tal lesão ou dano. O Comprador deverá cooperar com o Vendedor na investigação de qualquer lesão ou dano e na defesa de quaisquer reivindicações decorrentes.

Se o Comprador não cumprir esta seção ou se qualquer lesão ou dano for causado, no todo ou em parte, pela falha do Comprador em cumprir as leis, regras ou regulamentos federais ou estaduais aplicáveis, requisitos de segurança, o Comprador deverá indenizar e isentar o Vendedor de quaisquer reivindicações, perdas ou despesas por lesões ou danos decorrentes do uso dos Bens e/ou Peças de Reposição.

ATENÇÃO

Alterações ou modificações no equipamento e o uso de peças de reposição que não sejam do vendedor podem levar a operações perigosas e a ferimentos.

PARA EVITAR FERIMENTOS:

- Não altere ou modifique o equipamento.
- Utilize somente peças de reposição fabricadas pelo vendedor.

205 Crosspoint Parkway
Getzville, NY 14068
USA: Ph: (800) 888.0985 • (716) 689.5400 • Fax: (716) 689.5644
CANADA: Ph: (877) 264.6478 • Fax: (877) 264.6477
www.cmco.com



COLUMBUS MCKINNON FAMILY OF BRANDS

